

Product Specifications

Part Numbers Information

Electrical Specifications

Voltage Rating: 250VAC
Operating Temperature: -55°C ~ 125°C

Standards

250mA-10A
4A-10A
Tested to UL 248-14 Standard. File E197390
Tested to CSA C22.2 No.248.14 Standard. File E197390



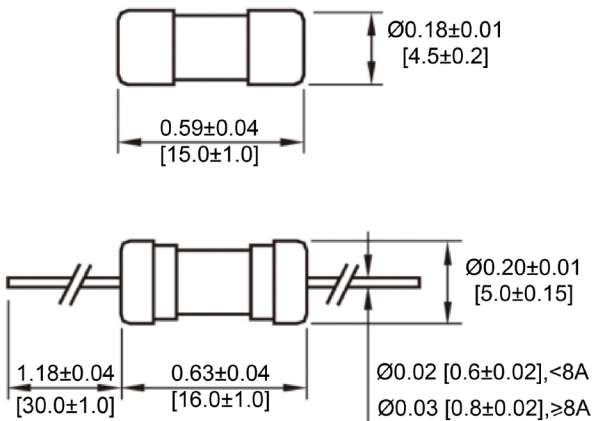
Interrupting Rating

10kA @125VAC (200mA-3.5A)
35A @250VAC (200mA-1A)
100A @250VAC (1.2A-3.5A)
100A @125VAC/250VAC (4-10A)
100A @125VAC (1A-15A) (PSE) (Cartridge Style)
500A @125VAC (1A-15A) (PSE) (Pigtail Style)
100A @250VAC (1A-15A) (PSE)
100A @ 250VAC (200mA-7A) KC

Material Specifications

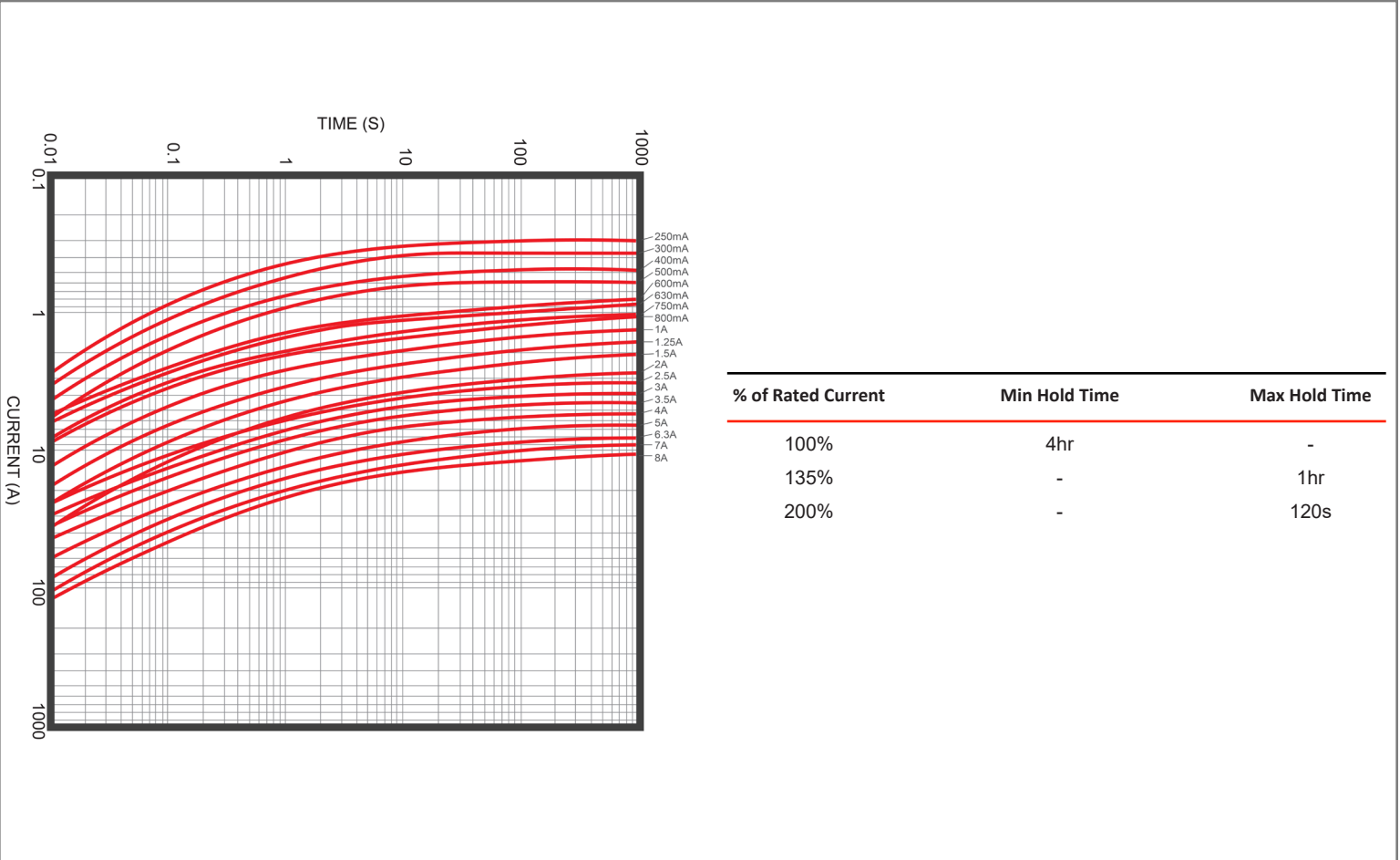
Body Material: Glass

Mechanical Dimensions: Inches [mm]

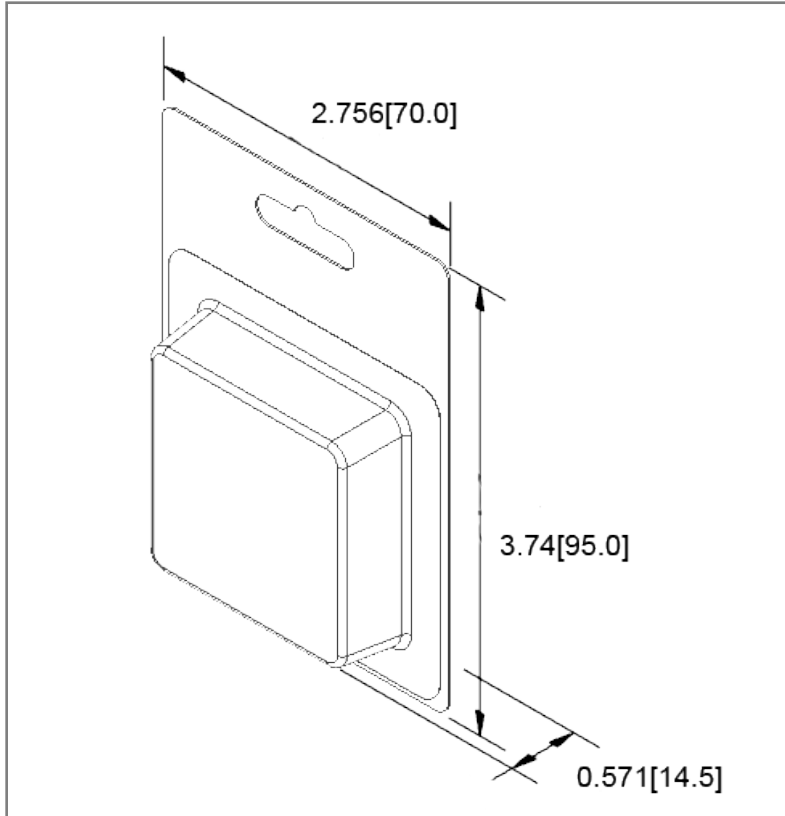


Cartridge P/N	Axial Lead P/N	Ampere Rating	I ² T Reference (A ² Sec)
TSE-250mA	TSE-P-250mA	250mA	0.0735
TSE-300mA	TSE-P-300mA	300mA	0.108
TSE-315mA	TSE-P-315mA	315mA	0.12
TSE-350mA	TSE-P-350mA	350mA	0.152
TSE-375mA	TSE-P-375mA	375mA	0.178
TSE-400mA	TSE-P-400mA	400mA	0.212
TSE-500mA	TSE-P-500mA	500mA	0.363
TSE-600mA	TSE-P-600mA	600mA	0.382
TSE-630mA	TSE-P-630mA	630mA	0.42
TSE-800mA	TSE-P-800mA	800mA	1.152
TSE-1A	TSE-P-1A	1A	2.245
TSE-1.2A	TSE-P-1.2A	1.2A	3.824
TSE-1.25A	TSE-P-1.25A	1.25A	4.418
TSE-1.5A	TSE-P-1.5A	1.5A	6.635
TSE-1.6A	TSE-P-1.6A	1.6A	7.189
TSE-2A	TSE-P-2A	2A	13.45
TSE-2.5A	TSE-P-2.5A	2.5A	6.14
TSE-3A	TSE-P-3A	3A	9.25
TSE-3.15A	TSE-P-3.15A	3.15A	9.83
TSE-3.5A	TSE-P-3.5A	3.5A	12.53
TSE-4A	TSE-P-4A	4A	19.62
TSE-5A	TSE-P-5A	5A	37.27
TSE-6A	TSE-P-6A	6A	61.39
TSE-6.3A	TSE-P-6.3A	6.3A	72.2
TSE-7A	TSE-P-7A	7A	108.4
TSE-8A	TSE-P-8A	8A	147.9
TSE-9A	TSE-P-9A	9A	-
TSE-10A	TSE-P-10A	10A	-

Time vs Percent of Rated Current



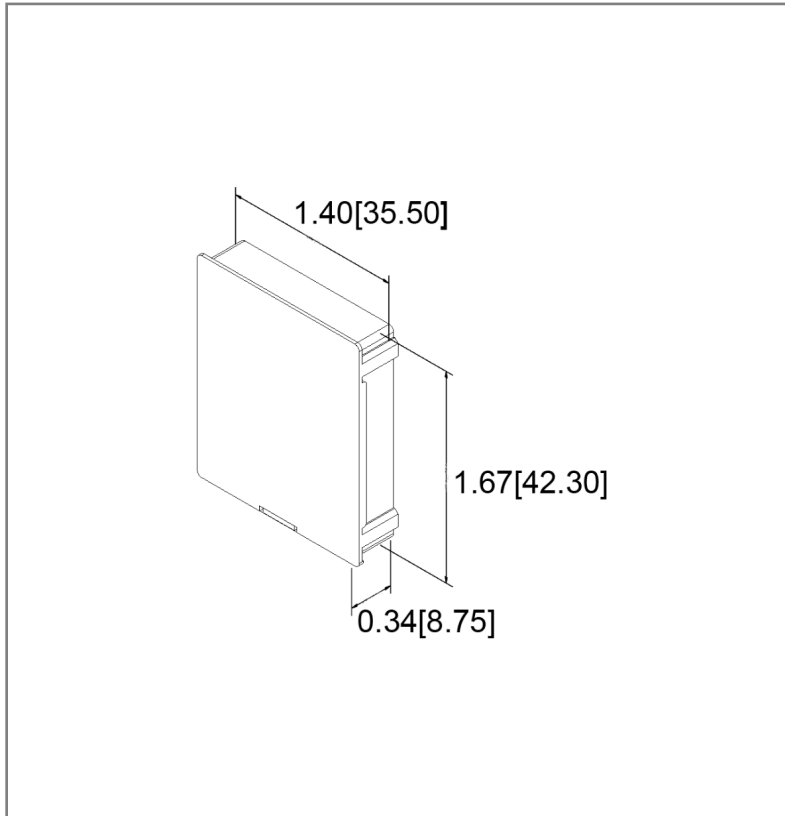
Blister Pack: Inches [mm]



Retail Pack Part Number Information

Ampere Rating	Retail Pack # Blister Card (5PCS)	Retail Pack # Pill Box (5PCS)
250mA	TSE-250mA-BP	TSE-250mA-BX
315mA	TSE-315mA-BP	TSE-315mA-BX
350mA	TSE-350mA-BP	TSE-350mA-BX
500mA	TSE-500mA-BP	TSE-500mA-BX
1A	TSE-1A-BP	TSE-1A-BX
1.5A	TSE-1.5A-BP	TSE-1.5A-BX
2A	TSE-2A-BP	TSE-2A-BX
2.5A	TSE-2.5A-BP	TSE-2.5A-BX
3A	TSE-3A-BP	TSE-3A-BX
3.5A	TSE-3.5A-BP	TSE-3.5A-BX
4A	TSE-4A-BP	TSE-4A-BX
5A	TSE-5A-BP	TSE-5A-BX
6A	TSE-6A-BP	TSE-6A-BX
7A	TSE-7A-BP	TSE-7A-BX
8A	TSE-8A-BP	TSE-8A-BX
10A	TSE-10A-BP	TSE-10A-BX

Pill Box: Inches [mm]



* Retail packs are for cartridge style fuses only

Rev Date of issue Revision Notes

Designed Approved

F	12-11-2025	Updated Amperages	RC	OF
---	------------	-------------------	----	----