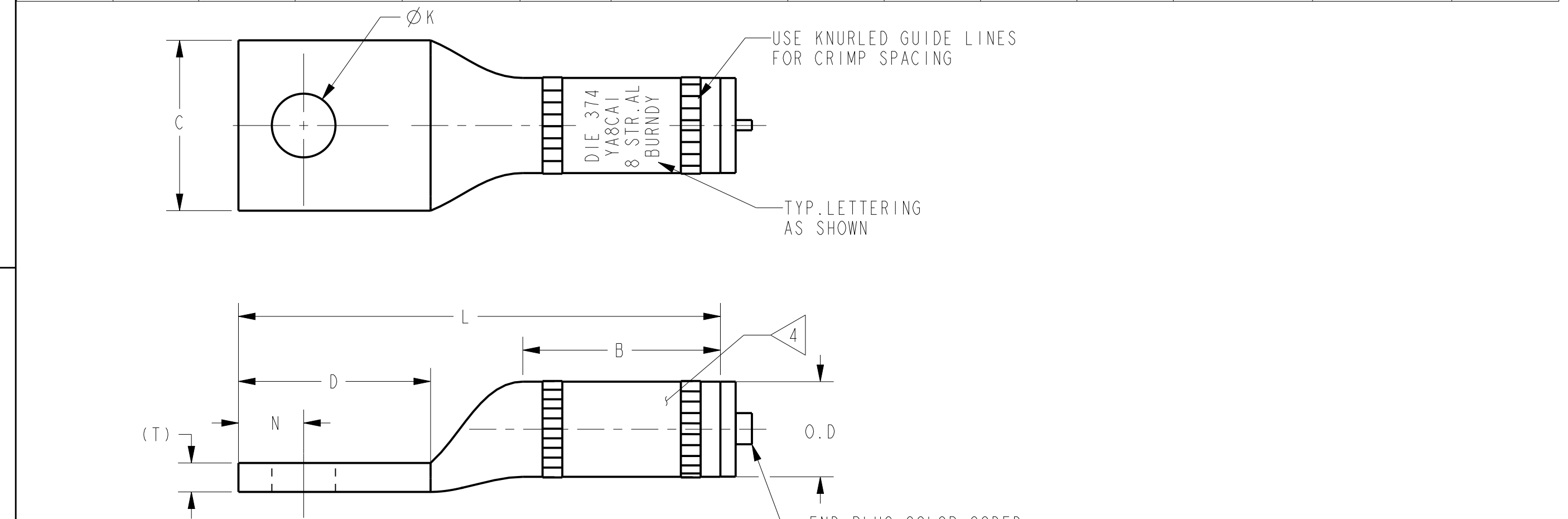


CATALOG NUMBER	CONDUCTOR SIZE		CONNECTOR DIMENSIONS-LINEAR MEASURE IN, [mm]										INFORMATION
	ALUMINUM	COPPER	STUD SIZE	NO. OF HOLES	B	C	D	Ø K	L	N	O.D	(T)	
YA8CA1	8 AWG CLASS B CONCENTRIC COMPRESSED SIW	8 AWG CLASS B,C CONCENTRIC COMPRESSED COMPACT	10	1	.62 [16]	.53 [13]	.60 [15]	.20 [5]	1.50 [38]	.20 [5]	.30 [8]	.09 [2]	TIN
YA8CA2					NONE								
YA8CA3			1/4		.62 [16]	.53 [13]	.75 [19]	.28 [7]	1.65 [42]	.25 [6]	.09 [2]	TIN	
YA8CA4					NONE								

REV	DATE	DESCRIPTION	ECO	BY	C'K.
AU	2018-01-25 00:00:00 EST	UPDATED AS PER MARKUP	48409	YR	VS

COLOR CODE	BURNDY® INSTALLATION TOOLING (#CRIMPS)										DIELESS (#CRIMPS)		STRIP LENGTH
	DIE INFORMATION		MECHANICAL		HYDRAULIC						MECHANICAL	HYDRAULIC	
	DIE INDEX	TYPE	OUR840	MD6	Y34A	Y35, Y39 Y750 PAT750	Y46	Y45	Y48BH	Y60			
BLUE	374	BLUE DIE SET	X8CART (2)	X8CART (2) W374 (1)	--	U8CABT (1)	U8CABT (1)	U8CABT (1)	--	--	MRC840AL (1) MY29-3 (1)	Y81KFT (1) PAT81KFT (1) Y644 (1) PAT644 (1)	3/4"
		NEST INDENTOR	--	--	--	--	--	--	--	--			



NOTES:

1- HOLE DESIGN

- ALL HYLUGS™ ACCOMMODATE U.S. STANDARD WASHERS.
- REMOVE ALL EXCESS PENETROX™ FROM CONNECTOR AND ADJACENT CONDUCTOR PRIOR TO TAPING.
- UL LISTED AND CSA CERTIFIED WIRE CONNECTORS. RATED 90 C (AL9CU) FOR USE WITH COPPER OR ALUMINUM CONDUCTOR. APPROVAL APPLY TO TIN PLATED CONNECTORS ONLY.
- CONNECTOR BARRELS PREFILLED WITH PENETROX™
- DIMENSIONS IN BRACKETS [ ] ARE IN MILLIMETERS ROUNDED OFF TO THE NEAREST MILLIMETER, UNLESS OTHERWISE NOTED, AND ARE FOR REFERENCE ONLY.
- ADD SUFFIX "DT" TO ORDER LUGS WITH CRIMP BARREL SEALED AIR TIGHT INSIDE THE TRANSITION.
- CATALOG #PT6515 ADAPTOR IS REQUIRED TO USE "U" DIES IN Y45 SERIES TOOLS.
- CATALOG #PUADP-1 ADAPTOR IS REQUIRED TO USE "U" DIES IN Y46 SERIES TOOLS.
- Y35P3 INDENTOR ADAPTOR REQUIRED FOR "Y34PR" TYPE INDENTORS.
- FOR USE BY CUSTOMERS THAT HAVE THIS HYPRESS™. NO NEW HYPRESSES™ ARE BEING PROCESSED.
- ADD SUFFIX "U" TO ORDER LUGS WITH UNDRILLED TONGUE.

UNINSULATED COMPRESSION TERMINAL MATERIAL: ALUMINUM TUBE

TO ORDER BURNDY® PRODUCTS CALL UNITED STATES: 1-800-346-4175 (LONDONDERRY, NH) CANADA: 1-800-361-6975 (QUEBEC) 1-800-387-6487 (ALL OTHER PROVINCES) FOR PRODUCT INFO: <a href="http://www.burndy.com">http://www.burndy.com</a>	HYLUG™	
	ITEM NO: NA	
	CAT. NO: YA8CA-(SEE TABLE)	
	DRAWN BY: E.S.K	7/19/72
	CHECKER: S.F.P	8/01/72
	DSN APPVL: R.B	8/02/72
	MFG APPVL: --	--
	QA APPVL: D.VARIO	6/19/95
	MKT APPVL: P.WERTHMAN	6/19/95
	SCALE: 2:1	
PROD FAM: CM&R COMPRESSION	DRAWING NO	
PROJECT #: --	SIZE	
DOCUMENT TYPE: Sales	SD073935	
REL LEVEL: Released	C	
	SHEET 1 OF 24	
	REV	
	AU	

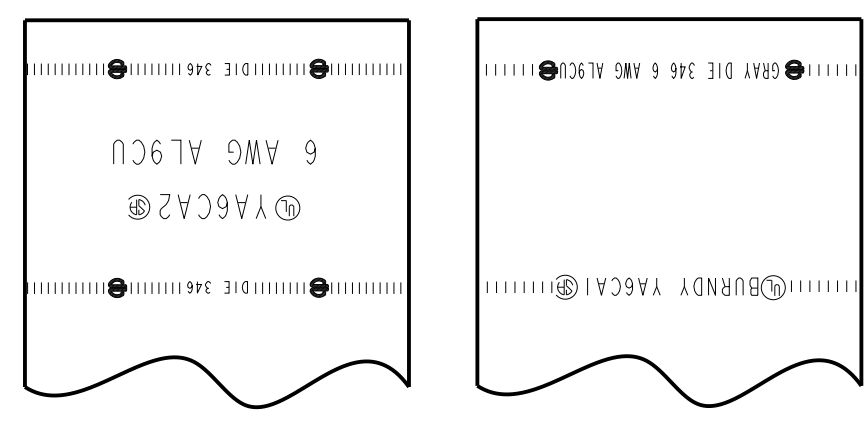
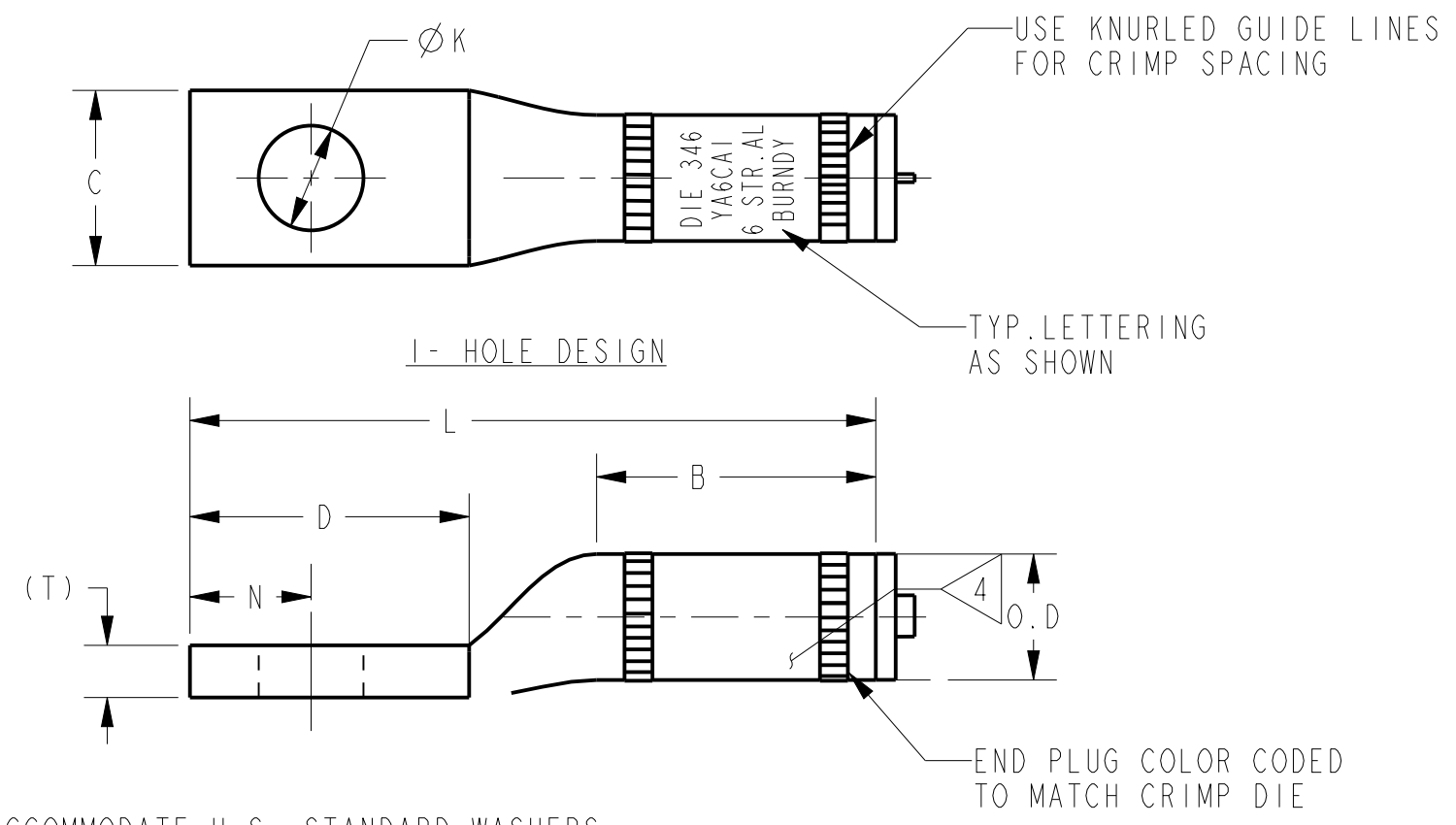
REV: PE0200

A

REV	DATE	DESCRIPTION	ECO	BY	C'H'K.
AU	2018-01-25 00:00:00 EST	UPDATED AS PER MARKUP	48409	YR	VS

CATALOG NUMBER	CONDUCTOR SIZE		CONNECTOR DIMENSIONS-LINEAR MEASURE IN, [mm] <sup>5</sup>										INFORMATION	BARREL LETTERING INFORMATION <sup>12</sup>
	ALUMINUM	COPPER	STUD SIZE	NO. OF HOLES	B	C	D	Ø K	L	N	O.D	(T)		
YA6CA1	6 AWG CLASS B CONCENTRIC COMPRESSED	6 AWG CLASS B,C CONCENTRIC COMPRESSED	1/4	1	.75 [19]	.47 [12]	.75 [19]	.28 [7]	1.84 [47]	.33 [8]	.34 [9]	.14 [4]	TIN <sup>3</sup>	FIG. 2
YA6CA2					.75 [19]	.65 [17]	1.19 [30]	.44 [11]	2.28 [58]	.44 [11]		.09 [2]	NONE	FIG. 1
YA6CA3			3/8											TIN <sup>3</sup>
YA6CA4	SIW												NONE	FIG. 1

COLOR CODE	BURNDY® INSTALLATION TOOLING (#CRIMPS)										DIELESS (#CRIMPS)		STRIP LENGTH
	DIE INFORMATION		MECHANICAL		HYDRAULIC						MECHANICAL	HYDRAULIC	
	DIE INDEX	TYPE	OUR840	MD6	Y34A Y34B	Y35, Y39 Y750, PAT750	Y46	Y45	Y48BH	Y60			
GRAY	346 161	GRAY DIE SET	X6CART (2) X161 (2)	X6CART (2) W161 (1)	A6CAB (1)	U6CABT (1) U161 (1)	U6CABT (1) U161 (1)	U6CABT (1) U161 (1)	--	--	MRC840AL (1) MY29-3 (1)	Y81KFT (1) PAT81KFT (1) Y644 (1) PAT644 (1)	7/8"
	346	NEST INDENTOR	--	--	A4CD(1) B1CD(1) Y34PA	--	--	--	--	--	--	--	



BARREL LETTERING VIEW <sup>12</sup>

- NOTES:
- ALL HYLUGS™ ACCOMMODATE U.S. STANDARD WASHERS
  - REMOVE ALL EXCESS PENETROX™ FROM CONNECTOR AND ADJACENT CONDUCTOR PRIOR TO TAPING.
  - UL LISTED AND CSA CERTIFIED WIRE CONNECTORS. RATED 90 C (AL9CU) FOR USE WITH COPPER OR ALUMINUM CONDUCTOR. APPROVAL APPLY TO TIN PLATED CONNECTORS ONLY.
  - CONNECTOR BARRELS PREFILLED WITH PENETROX™
  - DIMENSIONS IN BRACKETS [ ] ARE IN MILLIMETERS ROUNDED OFF TO THE NEAREST MILLIMETER, UNLESS OTHERWISE NOTED, AND ARE FOR REFERENCE ONLY.
  - ADD SUFFIX "DT" TO ORDER LUGS WITH CRIMP BARREL SEALED AIR TIGHT INSIDE THE TRANSITION.
  - CATALOG #PT6515 ADAPTOR IS REQUIRED TO USE "U" DIES IN Y45 SERIES TOOLS.
  - CATALOG #PUADP-1 ADAPTOR IS REQUIRED TO USE "U" DIES IN Y46 SERIES TOOLS.
  - Y35P3 INDENTOR ADAPTOR REQUIRED FOR "Y34PR" TYPE INDENTORS.
  - FOR USE BY CUSTOMERS THAT HAVE THIS HYPRESS™. NO NEW HYPRESSES™ ARE BEING PROCESSED.
  - ADD SUFFIX "U" TO ORDER LUGS WITH UNDRILLED TONGUE.
  - ENLARGED BARREL MARKING VIEW.

UNINSULATED COMPRESSION TERMINAL  
MATERIAL: ALUMINUM TUBE

TO ORDER BURNDY® PRODUCTS CALL UNITED STATES: 1-800-346-4175 (LONDONDERRY, NH) CANADA: 1-800-361-6975 (QUEBEC) 1-800-387-6487 (ALL OTHER PROVINCES) FOR PRODUCT INFO: <a href="http://www.burndy.com">http://www.burndy.com</a>	HYLUG™	
	ITEM NO: NA	
	CAT. NO: YA6CA-(SEE TABLE)	
	DRAWN BY: E.S.K	7/19/72
	CHECKER: S.F.P	8/01/72
	DSN APPVL: R.B	8/02/72
	MFG APPVL: --	--
	QA APPVL: D.VARIO	6/19/95
	MKT APPVL: P.WERTHMAN	6/19/95
	PROJ #:	SCALE: 2:1
DOCUMENT TYPE: Sales	SIZE	DRAWING NO
REL LEVEL: Released	C	SD073935
		REV
		AU

REV: PE0200

CATALOG NUMBER	CONDUCTOR SIZE		CONNECTOR DIMENSIONS-LINEAR MEASURE IN, [mm]											INFORMATION	BARREL LETTERING INFORMATION
	ALUMINUM	COPPER	STUD SIZE	NO. OF HOLES	B	C	D	E	Ø K	L	N	O.D	(T)		
YA4CA1			1/4		.88	.47	.75	--	.28	2.13	.33		.18	TIN	FIG. 2
YA4CA2			1/4		[22]	[12]	[19]		[7]	[54]	[8]		[5]	NONE	FIG. 1
YA4CA3	4 AWG CLASS B CONCENTRIC COMPRESSED COMPACT SIW	4 AWG CLASS B,C CONCENTRIC COMPRESSED COMPACT	5/16	1	.88	.80	.87	--	.38	2.25	.41		.12	TIN	FIG. 2
YA4CA4					[22]	[20]	[22]		[10]	[57]	[10]	[3]	NONE	FIG. 1	
YA4CA5			--		.88	.80	.75	--	.25	2.13	.33		.12	TIN	FIG. 1
YA4CA6			3/8		[22]	[20]	[24]	--	.44	2.32	.44		[3]	TIN	FIG. 2
YA4CA8			1/2		.88	.88	3.11	1.75	.56	4.50	.63		[3]	TIN	FIG. 2
							2	[22]	[22]	[79]	[44]	[14]	[114]	[16]	

REV	DATE	DESCRIPTION	ECO	BY	C'H'K.
AU	2018-01-25 00:00:00 EST	UPDATED AS PER MARKUP	48409	YR	VS

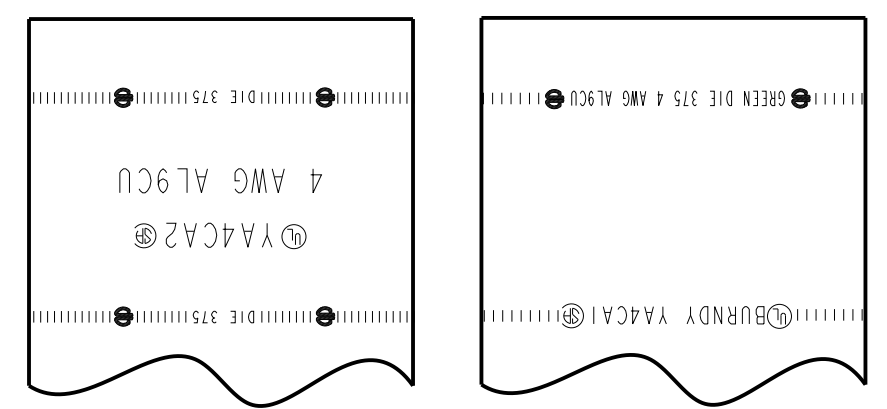
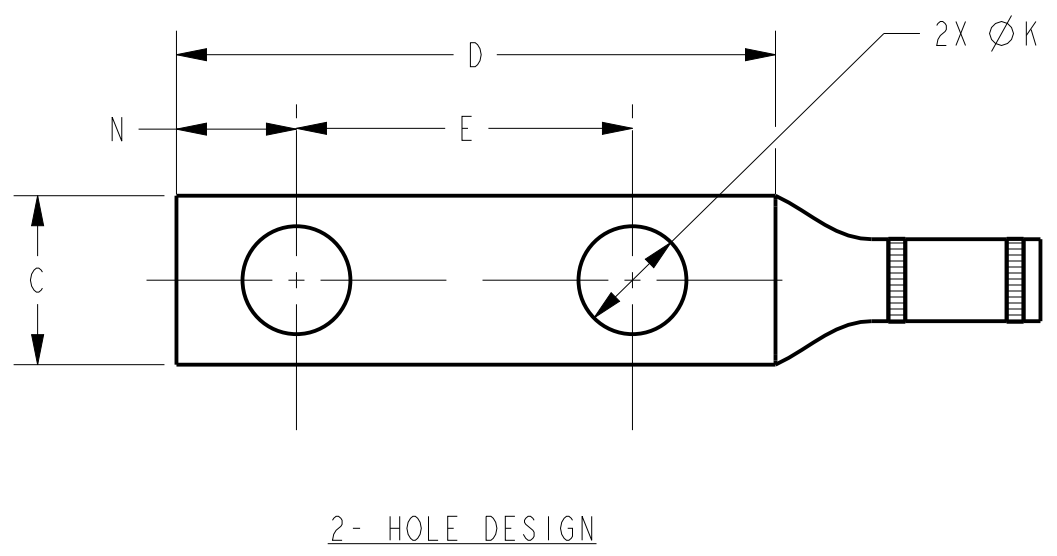
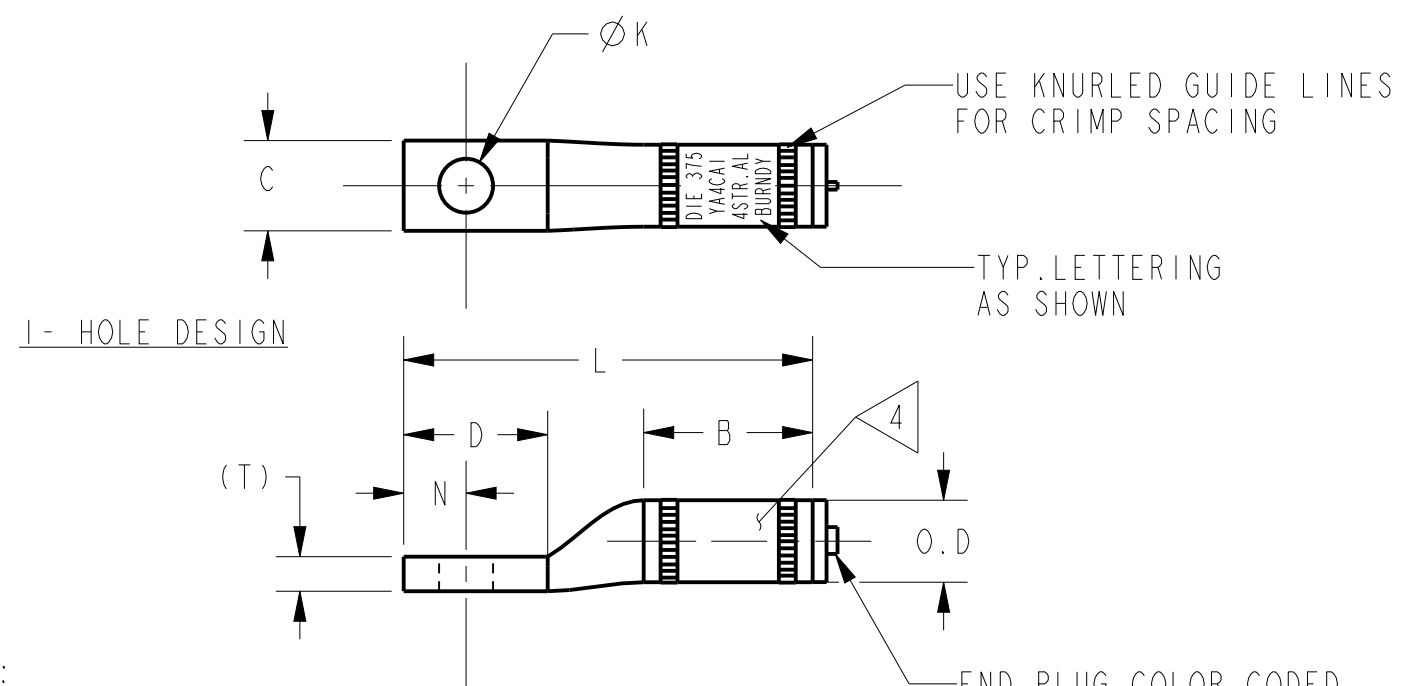


FIG. 1 FIG. 2

COLOR CODE	BURNDY® INSTALLATION TOOLING (#CRIMPS)											DIELESS (#CRIMPS)	STRIP LENGTH		
	DIE INFORMATION		MECHANICAL				HYDRAULIC							MECHANICAL	HYDRAULIC
	DIE INDEX	TYPE	OUR840	MD6	Y34A Y34B	Y35, Y39 Y750 PAT750	Y46	Y45	Y48BH	Y60					
GREEN	375 162	GREEN DIE SET	X4CART (3)	X4CART (3) W162 (3)	A4CAB (1)	U4CABT (1) U162 (1)	U4CABT (1) U162 (1)	U4CABT (1) U162 (1)	--	--	MRC840AL (2) MY29-3 (1)	Y81KFT (1) PAT81KFT (1) Y644 (1) PAT644 (1)	1"		
	375	NEST INDENTOR	--	--	AICD(1) BICD(1) Y34PA	--	--	--	--	--					

BARREL LETTERING VIEW



- NOTES:
- ALL HYLUGS™ ACCOMMODATE U.S. STANDARD WASHERS
  - REMOVE ALL EXCESS PENETROX™ FROM CONNECTOR AND ADJACENT CONDUCTOR PRIOR TO TAPING.
  - UL LISTED AND CSA CERTIFIED WIRE CONNECTORS, RATED 90 C (AL9CU) FOR USE WITH COPPER OR ALUMINUM CONDUCTOR. APPROVAL APPLY TO TIN PLATED CONNECTORS ONLY.
  - CONNECTOR BARRELS PREFILLED WITH PENETROX™
  - DIMENSIONS IN BRACKETS [ ] ARE IN MILLIMETERS ROUNDED OFF TO THE NEAREST MILLIMETER, UNLESS OTHERWISE NOTED, AND ARE FOR REFERENCE ONLY.
  - ADD SUFFIX "DT" TO ORDER LUGS WITH CRIMP BARREL SEALED AIR TIGHT INSIDE THE TRANSITION.
  - CATALOG #PT6515 ADAPTOR IS REQUIRED TO USE "U" DIES IN Y45 SERIES TOOLS.
  - CATALOG #PUADP-1 ADAPTOR IS REQUIRED TO USE "U" DIES IN Y46 SERIES TOOLS.
  - Y35P3 INDENTOR ADAPTOR REQUIRED FOR "Y34PR" TYPE INDENTORS.
  - FOR USE BY CUSTOMERS THAT HAVE THIS HYPRESS™. NO NEW HYPRESSES™ ARE BEING PROCESSED.
  - ADD SUFFIX "U" TO ORDER LUGS WITH UNDRILLED TONGUE.
  - ENLARGED BARREL MARKING VIEW.

UNINSULATED COMPRESSION TERMINAL  
MATERIAL: ALUMINUM TUBE

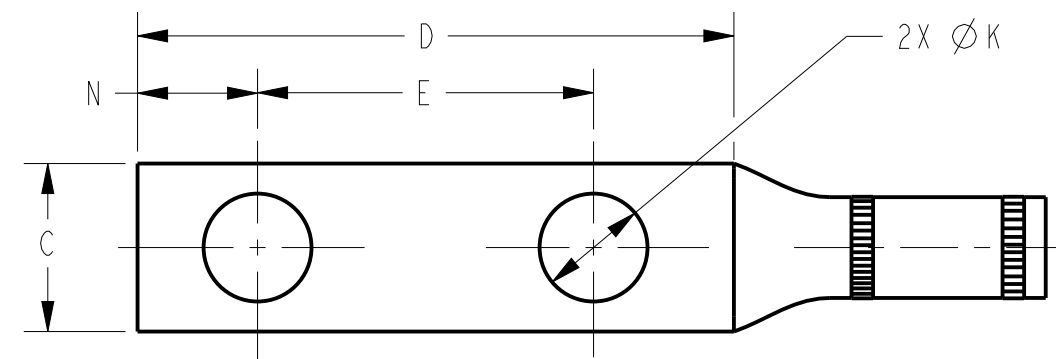
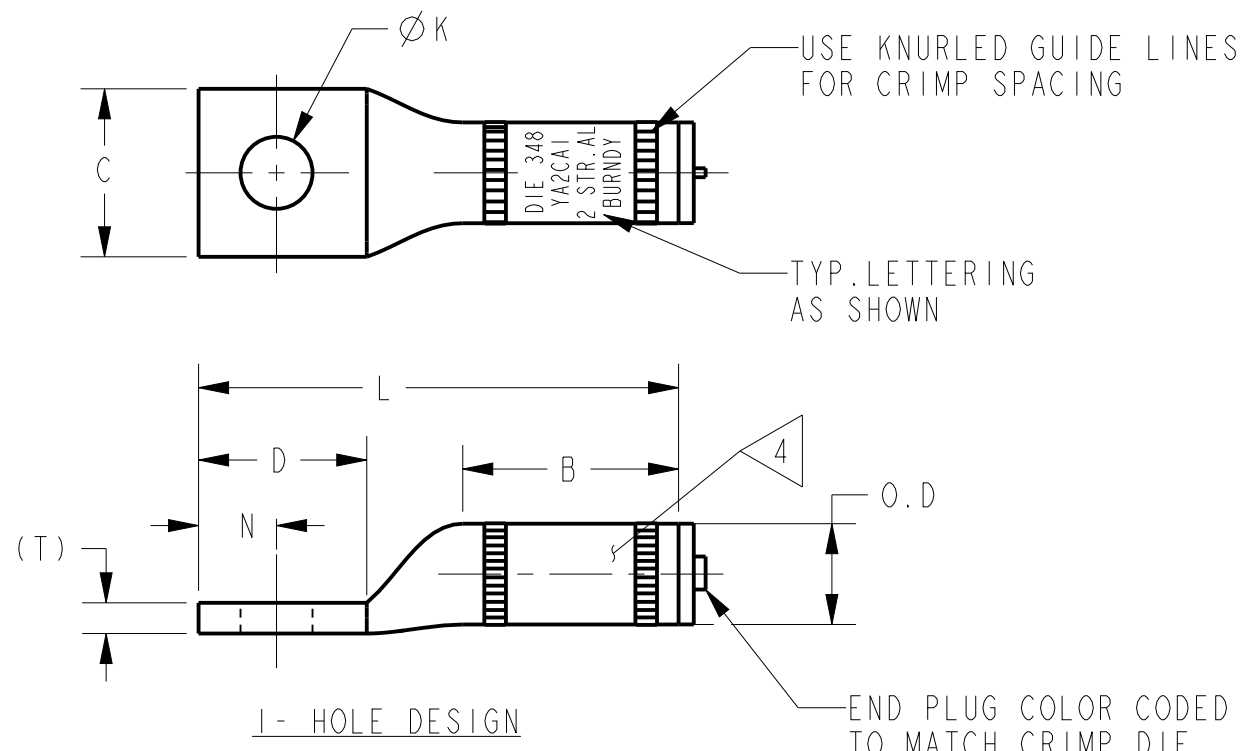
TO ORDER BURNDY® PRODUCTS CALL  
UNITED STATES:  
1-800-346-4175 (LONDONDERRY, NH)  
CANADA:  
1-800-361-6975 (QUEBEC)  
1-800-387-6487 (ALL OTHER PROVINCES)  
FOR PRODUCT INFO: <http://www.burndy.com>

HYLUG™	
ITEM NO:	NA
CAT. NO:	YA4CA-(SEE TABLE)
DRAWN BY:	E.S.K 7/19/72
CHECKER:	S.F.P 8/01/72
DSN APPVL:	R.B 8/02/72
MFG APPVL:	--
QA APPVL:	D.VARIO 6/19/95
MKT APPVL:	P.WERTHMAN 6/19/95
PROD FAM:	CM&R COMPRESSION
PROJECT #:	--
DOCUMENT TYPE:	Sales
REL LEVEL:	Released



CATALOG NUMBER	CONDUCTOR SIZE		CONNECTOR DIMENSIONS-LINEAR MEASURE IN, [mm]											INFORMATION	BARREL LETTERING INFORMATION	REV	DATE	DESCRIPTION	ECO	BY	C'H'K.	
	ALUMINUM	COPPER	STUD SIZE	NO. OF HOLES	B	C	D	E	Ø K	L	N	O.D	(T)			PLATING	AU	2018-01-25 00:00:00 EST	UPDATED AS PER MARKUP	48409	YR	VS
YA2CA1	#2 AWG CLASS B CONCENTRIC COMPRESSED COMPACT SIW	#2 AWG CLASS B,C CONCENTRIC COMPRESSED COMPACT	5/16	1	1.12	.88	.88	--	.38	2.50	.41	.53 [13]	.16	TIN	FIG. 2							
YA2CA2					[28]	[22]	[22]		[10]	[64]	[10]		[4]	NONE	FIG. 1							
YA2CA3			3/8		1.12	.88	.94	--	.44	2.56	.44		.16	TIN	FIG. 2							
YA2CA4					[28]	[22]	[24]		[11]	[65]	[11]		[4]	NONE	FIG. 1							
YA2CA5			1/4		1.00	.50	.75	--	.28	2.25	.33		.22	TIN	FIG. 2							
YA2CA9	1/2	2	1.12	.88	3.11	1.75	.56	4.73	.63	.16	TIN	FIG. 2										
			[28]	[22]	[79]	[44]	[14]	[120]	[16]	[4]												

COLOR CODE	BURNDY® INSTALLATION TOOLING (#CRIMPS)										DIELESS (#CRIMPS)		STRIP LENGTH
	DIE INFORMATION		MECHANICAL				HYDRAULIC				MECHANICAL	HYDRAULIC	
	DIE INDEX	TYPE	OUR840	MD6	Y34A Y34B	Y35, Y39 Y750 PAT750	Y46	Y45	Y48BH	Y60			
PINK	348 163 239	PINK DIE SET	X2CART (4) X239 (4)	X2CART (4) W163 (3) W239 (2)	A2CAB (1)	U2CABT (1) U163 (1) U239 (1)	U2CABT (1) U163 (1) U239 (1)	U2CABT (1) U163 (1) U239 (1)	--	--	MRC840AL (2) MY29-3 (2)	Y81KFT (2) PAT81KFT (2) Y644 (1) PAT644 (1)	1 1/4"
	348	NEST INDENTOR	--	--	A26D(1) B26D(1) Y34PA	--	--	--	--	--			



2- HOLE DESIGN

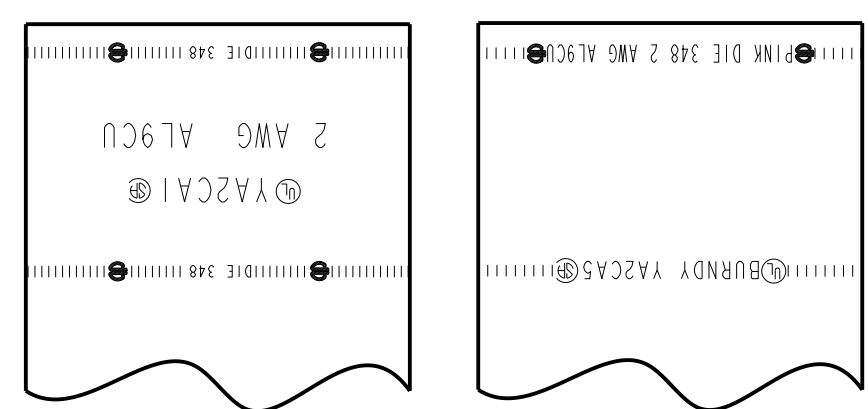


FIG. 1

FIG. 2

BARREL LETTERING VIEW

UNINSULATED COMPRESSION TERMINAL MATERIAL: ALUMINUM TUBE

- NOTES:
- ALL HYLUGS™ ACCOMMODATE U.S. STANDARD WASHERS
  - REMOVE ALL EXCESS PENETROX™ FROM CONNECTOR AND ADJACENT CONDUCTOR PRIOR TO TAPING.
  - UL LISTED AND CSA CERTIFIED WIRE CONNECTORS. RATED 90 C (AL9CU) FOR USE WITH COPPER OR ALUMINUM CONDUCTOR. APPROVAL APPLY TO TIN PLATED CONNECTORS ONLY.
  - CONNECTOR BARRELS PREFILLED WITH PENETROX™
  - DIMENSIONS IN BRACKETS [ ] ARE IN MILLIMETERS ROUNDED OFF TO THE NEAREST MILLIMETER, UNLESS OTHERWISE NOTED, AND ARE FOR REFERENCE ONLY.
  - ADD SUFFIX "DT" TO ORDER LUGS WITH CRIMP BARREL SEALED AIR TIGHT INSIDE THE TRANSITION.
  - CATALOG #PT6515 ADAPTOR IS REQUIRED TO USE "U" DIES IN Y45 SERIES TOOLS.
  - CATALOG #PUADP-1 ADAPTOR IS REQUIRED TO USE "U" DIES IN Y46 SERIES TOOLS.
  - Y35P3 INDENTOR ADAPTOR REQUIRED FOR "Y34PR" TYPE INDENTORS.
  - FOR USE BY CUSTOMERS THAT HAVE THIS HYPRESS™. NO NEW HYPRESSES™ ARE BEING PROCESSED.
  - ADD SUFFIX "U" TO ORDER LUGS WITH UNDRILLED TONGUE.
  - ENLARGED BARREL MARKING VIEW.

TO ORDER BURNDY® PRODUCTS CALL UNITED STATES: 1-800-346-4175 (LONDONDERRY, NH) CANADA: 1-800-361-6975 (QUEBEC) 1-800-387-6487 (ALL OTHER PROVINCES) FOR PRODUCT INFO: <a href="http://www.burndy.com">http://www.burndy.com</a>	HYLUG™	
	ITEM NO: NA	CAT. NO: YA2CA-(SEE TABLE)
	DRAWN BY: E.S.K 7/19/72	CHECKER: S.F.P 8/01/72
	DSN APPVL: R.B 8/02/72	MFG APPVL: --
	QA APPVL: D.VARIO 6/19/95	MKT APPVL: P.WERTHMAN 6/19/95
	PROD FAM: CM&R COMPRESSION	SCALE: 1:1
	PROJECT #: --	SIZE
	DOCUMENT TYPE: Sales	SD073935
	REL LEVEL: Released	C
		SHEET 4 OF 24

REV: PE0200

CATALOG NUMBER	CONDUCTOR SIZE		CONNECTOR DIMENSIONS-LINEAR MEASURE IN, [mm]											INFORMATION	BARREL LETTERING INFORMATION	
	ALUMINUM	COPPER	STUD SIZE	NO. OF HOLES	B	C	D	E	$\phi$ K	L	N	O.D	(T)			PLATING
YAICA1	#1 AWG CLASS B CONCENTRIC COMPRESSED CONDUCTOR SIW	#1 AWG CLASS B,C CONCENTRIC COMPRESSED CONDUCTOR SIW	3/8	1	.91	.76	1.19	--	.44	2.59	.44	.54 [14]	.19	TIN	FIG. 2	
YAICA2					[23]	[19]	[30]	--	[11]	[66]	[11]		[5]	NONE	FIG. 1	
YAICA3			1/4		.91	.52	.75	--	.28	2.16	.33		.19	TIN	FIG. 2	
YAICA4			5/16		[23]	[13]	[19]	[21]	--	[7]	[55]		[8]	[5]	TIN	FIG. 2
YAICA9			1/2		[23]	[19]	[21]	--	[10]	[57]	[10]		[5]	TIN	FIG. 2	

REV	DATE	DESCRIPTION	ECO	BY	C'H'K.
AU	2018-01-25 00:00:00 EST	UPDATED AS PER MARKUP	48409	YR	VS

COLOR CODE	BURNDY® INSTALLATION TOOLING (#CRIMPS)										DIELESS (#CRIMPS)		STRIP LENGTH
	DIE INFORMATION		MECHANICAL		HYDRAULIC						MECHANICAL	HYDRAULIC	
	DIE INDEX	TYPE	OUR840	MD6	Y34A Y34B	Y35, Y39 Y750 PAT750	Y46	Y45	Y48BH	Y60			
GOLD	471 163	GOLD DIE SET	XICART (3)	XICART (3) WI63 (3)	AICAR (1)	UICART (1) UI63 (1)	UICART (1) UI63 (1)	UICART (1) UI63 (1)	--	--	MRC840AL (2) MY29-3 (2)	Y81KFT (2) PAT81KFT (2) Y644 (1) PAT644 (1)	1 1/16"
	471	NEST INDENTOR	--	--	A26D(1) B26D(1) Y34PR-5	--	P26D(1) P34PR-5	--	--	--	--	--	--

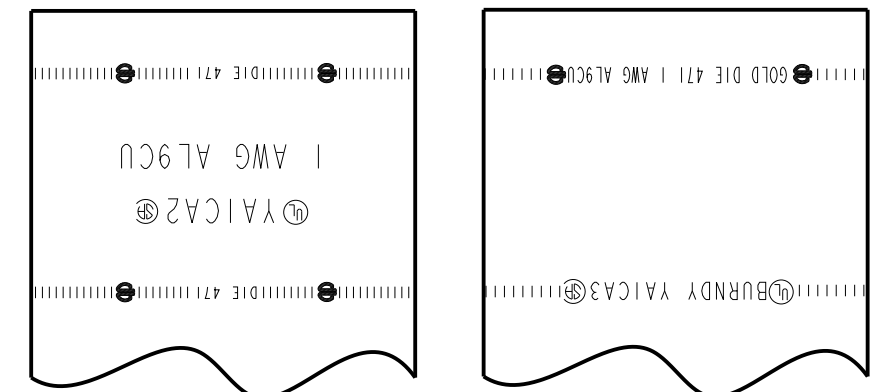
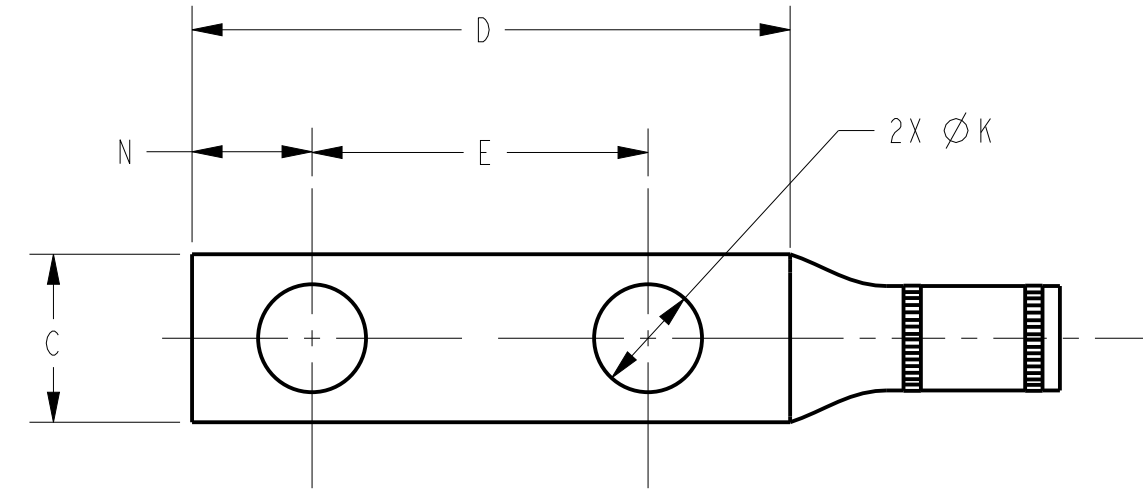
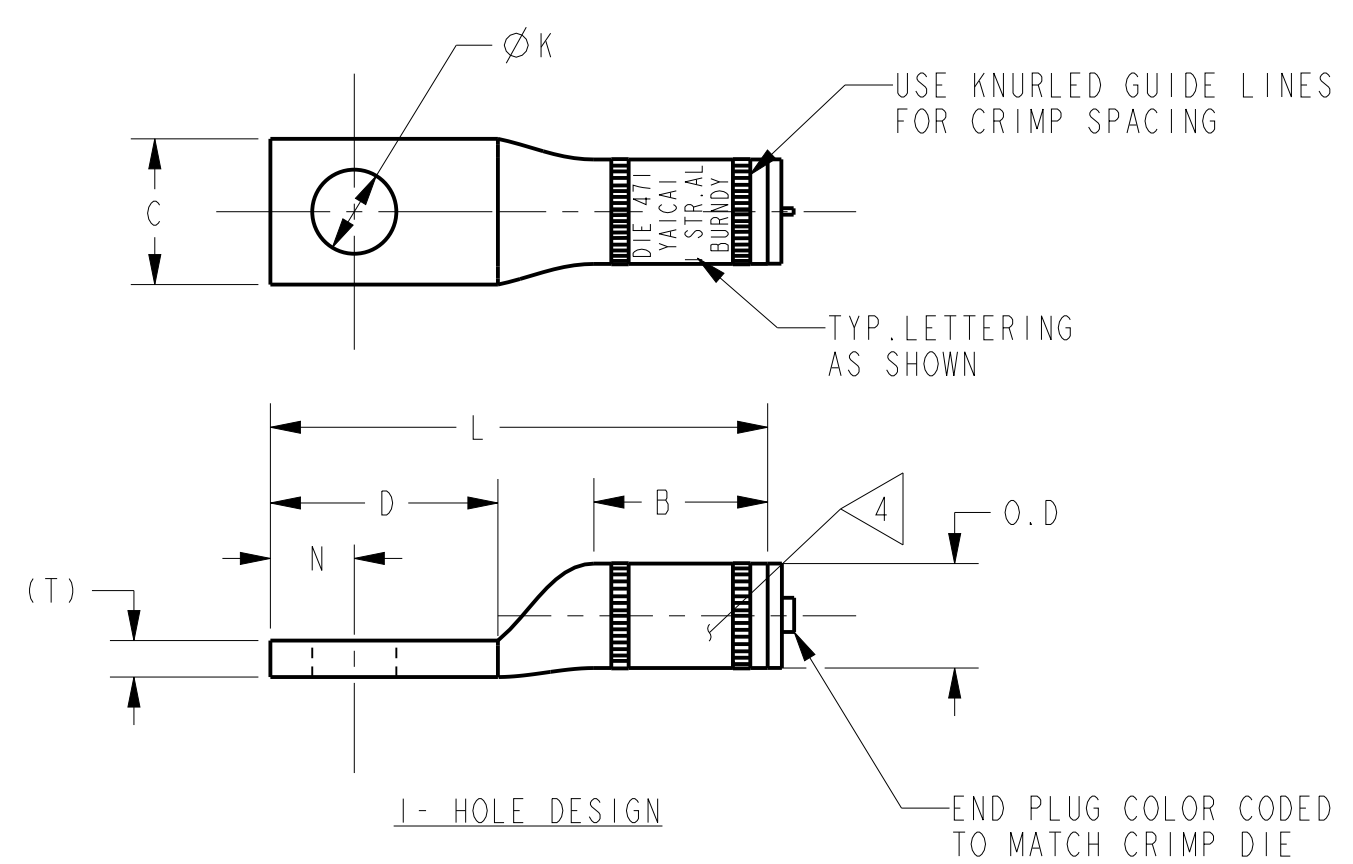


FIG. 1  
FIG. 2  
BARREL LETTERING VIEW



2- HOLE DESIGN

- NOTES:
- ALL HYLUGS™ ACCOMMODATE U.S. STANDARD WASHERS
  - REMOVE ALL EXCESS PENETROX™ FROM CONNECTOR AND ADJACENT CONDUCTOR PRIOR TO TAPING.
  - UL LISTED AND CSA CERTIFIED WIRE CONNECTORS. RATED 90 C (AL9CU) FOR USE WITH COPPER OR ALUMINUM CONDUCTOR. APPROVAL APPLY TO TIN PLATED CONNECTORS ONLY.
  - CONNECTOR BARRELS PREFILLED WITH PENETROX™
  - DIMENSIONS IN BRACKETS [ ] ARE IN MILLIMETERS ROUNDED OFF TO THE NEAREST MILLIMETER, UNLESS OTHERWISE NOTED, AND ARE FOR REFERENCE ONLY.
  - ADD SUFFIX "DT" TO ORDER LUGS WITH CRIMP BARREL SEALED AIR TIGHT INSIDE THE TRANSITION.
  - CATALOG #PT6515 ADAPTOR IS REQUIRED TO USE "U" DIES IN Y45 SERIES TOOLS.
  - CATALOG #PUADP-1 ADAPTOR IS REQUIRED TO USE "U" DIES IN Y46 SERIES TOOLS.
  - Y35P3 INDENTOR ADAPTOR REQUIRED FOR "Y34PR" TYPE INDENTORS.
  - FOR USE BY CUSTOMERS THAT HAVE THIS HYPRESS™. NO NEW HYPRESSES™ ARE BEING PROCESSED.
  - ADD SUFFIX "U" TO ORDER LUGS WITH UNDRILLED TONGUE.
  - ENLARGED BARREL MARKING VIEW.

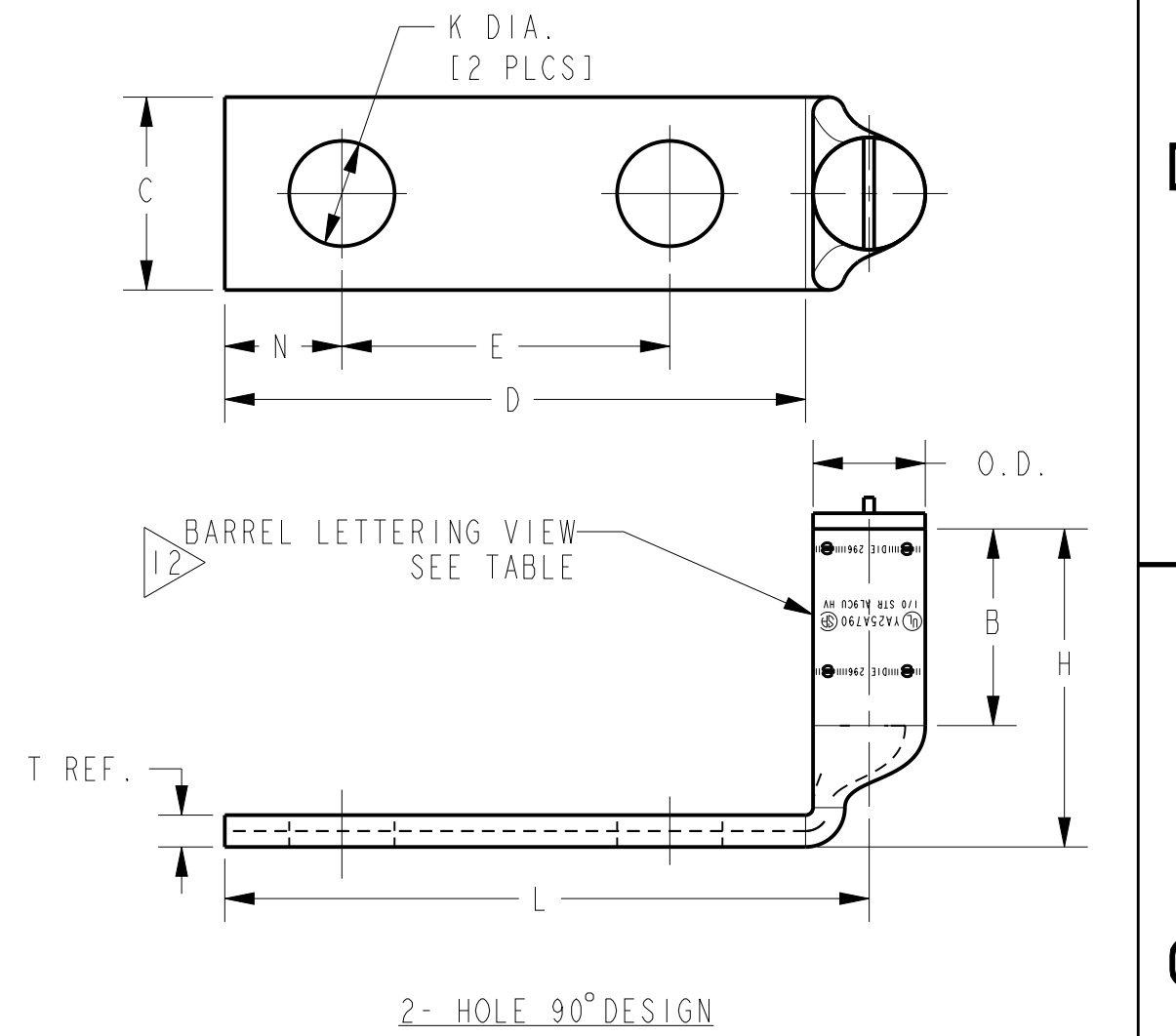
UNINSULATED COMPRESSION TERMINAL MATERIAL: ALUMINUM TUBE

TO ORDER BURNDY® PRODUCTS CALL		HYLUG™	
UNITED STATES: 1-800-346-4175 (LONDONDERRY, NH)		ITEM NO: NA	CAT. NO: YAICA-(SEE TABLE)
CANADA: 1-800-361-6975 (QUEBEC) 1-800-387-6487 (ALL OTHER PROVINCES)		DRAWN BY: E.S.K 7/19/72	CHECKER: S.F.P 8/01/72
FOR PRODUCT INFO: <a href="http://www.burndy.com">http://www.burndy.com</a>		DSN APPVL: R.B 8/02/72	MFG APPVL: --
		QA APPVL: D.VARIO 6/19/95	MKT APPVL: P.WERTHMAN 6/19/95
		PROD FAM: CM&R COMPRESSION	DRAWING NO: SD073935
		PROJECT #: --	SCALE: 1:1
		DOCUMENT TYPE: Sales	REV: AU
		REL LEVEL: Released	SHEET 5 OF 24

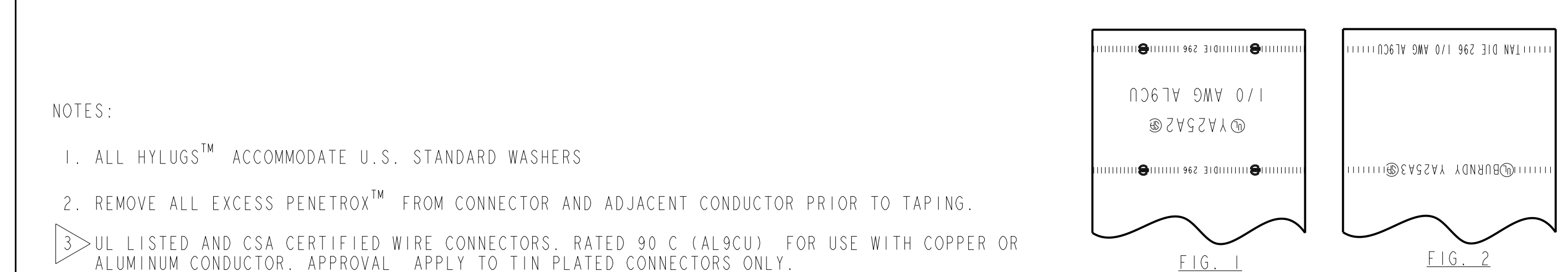
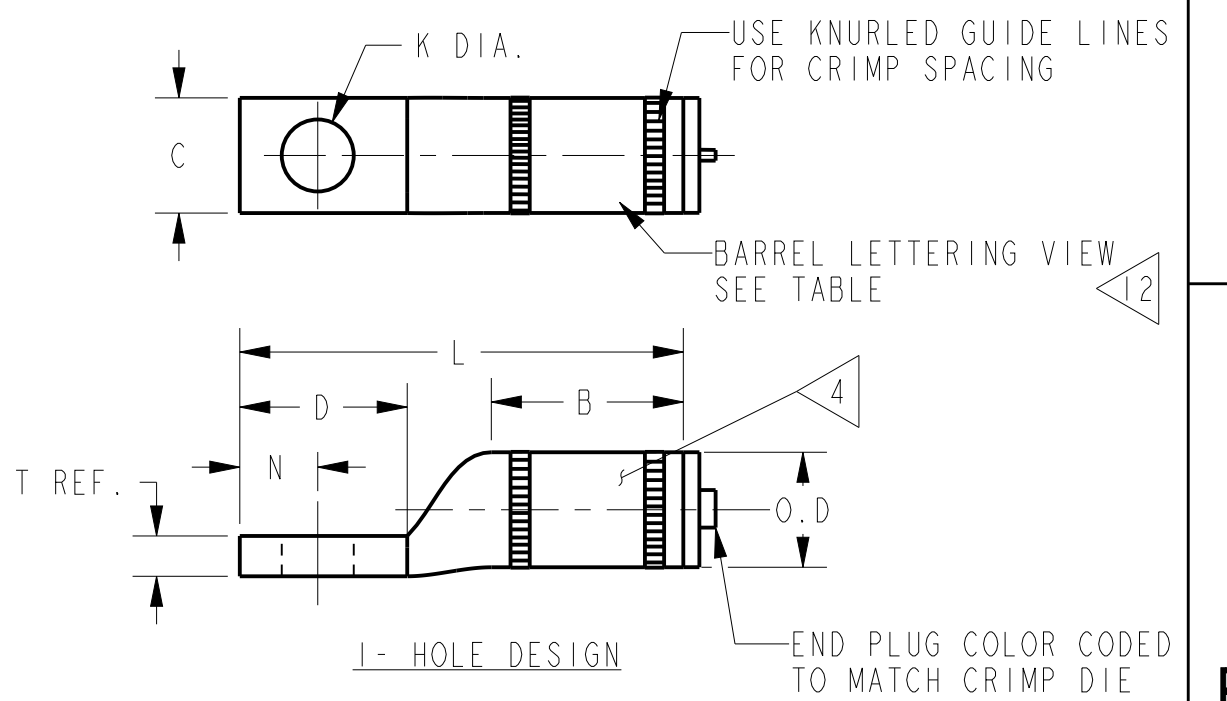
REV: PE0200

CATALOG NUMBER	CONDUCTOR SIZE		CONNECTOR DIMENSIONS-LINEAR MEASURE IN, [mm]											INFORMATION		BARREL LETTERING INFORMATION					
	ALUMINUM	COPPER	STUD SIZE	NO. OF HOLES	B	C	D	E	H	K DIA.	L	N	O.D.	T REF.	PLATING						
YA25A1	1/0 AWG CLASS B CONCENTRIC COMPRESSED SIW	1/0 AWG CLASS B,C CONCENTRIC COMPRESSED	5/16	1	1.00	.60	.87	--	--	.38	2.31	.41	.60	[15]	.21	TIN	FIG. 2				
YA25A2					[25]	[15]					[22]				[10]	[59]	[10]	[5]	NONE	FIG. 1	
YA25A3					3/8	1	1.05	.82	1.18	--	--	.44			2.67	.63	[16]	.21	TIN	FIG. 2	
YA25A3NT69							[27]	[21]							[30]				[11]	[68]	[5]
YA25A4					3/8	1	1.05	.82	1.18	--	--	.44			2.67	.63	[16]	.21	TIN	FIG. 1	
YA25A9					1/2	--	1.05	1.03	1.34	--	--	.56			2.83	.63	[16]	.17	TIN	FIG. 2	
YA25A10			--	--	1.00	.60	.87	--	--	--	2.31	--	[15]	.21	TIN	FIG. 1					
YA25A5			3/8	2	1.05	.82	2.24	1.06	--	.44	3.73	.63	[16]	.21	TIN	FIG. 2					
YA25A6			1/2	2	1.05	1.03	3.10	1.75	--	.56	4.59	.63	[16]	.17	TIN	FIG. 2					
YA25A7											[27]				[26]	[79]	[44]	[117]	[4]	NONE	FIG. 1
YA25A8											[27]				[26]	[79]	[44]	[117]	[4]	NONE	FIG. 1
YA25A790										1.70	3.44		[87]		TIN	FIG. 2					

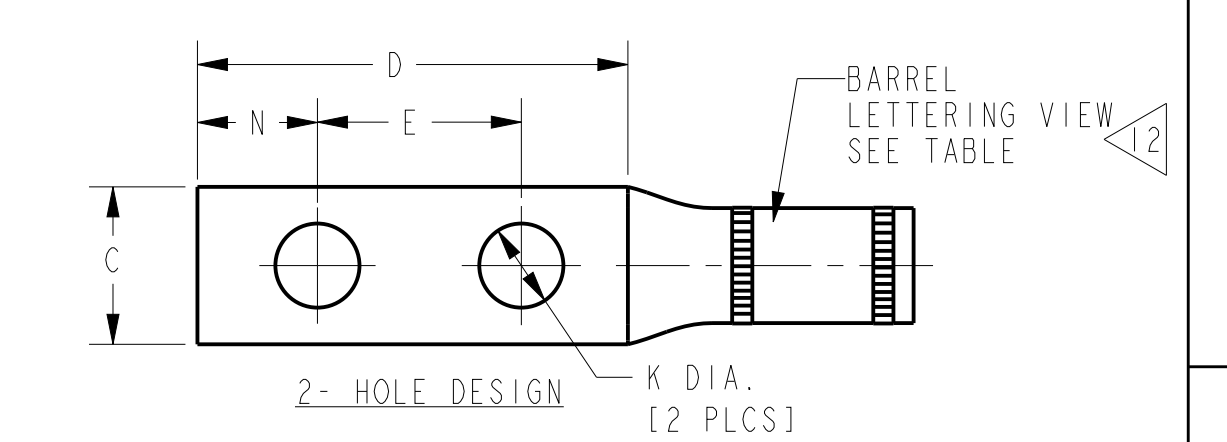
REV	DATE	DESCRIPTION	ECO	BY	C'H'K.
AU	2018-01-25 00:00:00 EST	UPDATED AS PER MARKUP	48409	YR	VS



COLOR CODE	BURNDY® INSTALLATION TOOLING (#CRIMPS)										DIELESS (#CRIMPS)		STRIP LENGTH
	DIE INFORMATION		MECHANICAL		HYDRAULIC						MECHANICAL	HYDRAULIC	
	DIE INDEX	TYPE	OUR840	MD6	Y34A Y34B	Y35, Y39 Y750, PAT750	Y46	Y45	Y48BH	Y60			
TAN	296 241	TAN DIE SET	X25ART (4) X241 (4)	X25ART (4) W241 (2)	A25AR (1)	U25ART(1) U241 (1)	U25ART(1) U241 (1)	U25ART (1) U241 (1)	C25AR (1) U241 (1)	--	MRC840AL (2) MY29-3 (2)	Y81KFT (2) PAT81KFT (2) Y644 (1) PAT644 (1)	1 3/16"
	296	NEST INDENTOR	--	--	A27D(1) B27D(1) Y34PR-5	--	P27D(1) P34PR-5	--	--	--	--	--	



- NOTES:
- ALL HYLUGS™ ACCOMMODATE U.S. STANDARD WASHERS
  - REMOVE ALL EXCESS PENETROX™ FROM CONNECTOR AND ADJACENT CONDUCTOR PRIOR TO TAPING.
  - UL LISTED AND CSA CERTIFIED WIRE CONNECTORS, RATED 90 C (AL9CU) FOR USE WITH COPPER OR ALUMINUM CONDUCTOR. APPROVAL APPLY TO TIN PLATED CONNECTORS ONLY.
  - CONNECTOR BARRELS PREFILLED WITH PENETROX™
  - DIMENSIONS IN BRACKETS [ ] ARE IN MILLIMETERS ROUNDED OFF TO THE NEAREST MILLIMETER, UNLESS OTHERWISE NOTED, AND ARE FOR REFERENCE ONLY.
  - ADD SUFFIX "DT" TO ORDER LUGS WITH CRIMP BARREL SEALED AIR TIGHT INSIDE THE TRANSITION.
  - CATALOG #PT6515 ADAPTOR IS REQUIRED TO USE "U" DIES IN Y45 SERIES TOOLS.
  - CATALOG #PUADP-1 ADAPTOR IS REQUIRED TO USE "U" DIES IN Y46 SERIES TOOLS.
  - Y35P3 INDENTOR ADAPTOR REQUIRED FOR "Y34PR" TYPE INDENTORS.
  - FOR USE BY CUSTOMERS THAT HAVE THIS HYPRESS™. NO NEW HYPRESSES™ ARE BEING PROCESSED.
  - ADD SUFFIX "U" TO ORDER LUGS WITH UNDRILLED TONGUE.
  - ENLARGED BARREL MARKING VIEW.



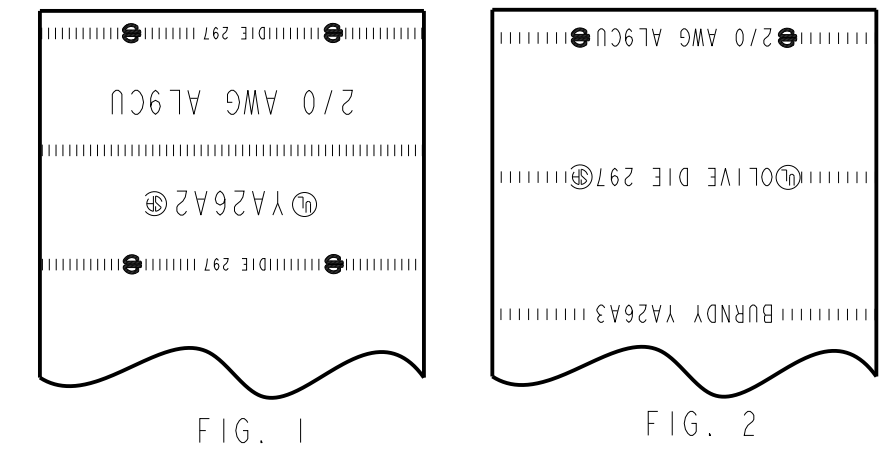
UNINSULATED COMPRESSION TERMINAL  
MATERIAL: ALUMINUM TUBE

TO ORDER BURNDY® PRODUCTS CALL		HYLUG™	
UNITED STATES: 1-800-346-4175 (LONDONDERRY, NH)		ITEM NO: NA	CAT. NO: YA25A-(SEE TABLE)
CANADA: 1-800-361-6975 (QUEBEC) 1-800-387-6487 (ALL OTHER PROVINCES)		DRAWN BY: E.S.K. 7/19/72	CHECKER: S.F.P. 8/01/72
FOR PRODUCT INFO: <a href="http://www.burndy.com">http://www.burndy.com</a>		DSN APPVL: R.B. 8/02/72	MFG APPVL: --
		QA APPVL: D.VARIO 6/19/95	MKT APPVL: P.WERTHMAN 6/19/95
		PROD FAM: CM&R COMPRESSION	DRAWING NO: SD073935
		PROJECT #: --	SCALE: 1:1
		DOCUMENT TYPE: Sales	REV: AU
		REL LEVEL: Released	SHEET 6 OF 24

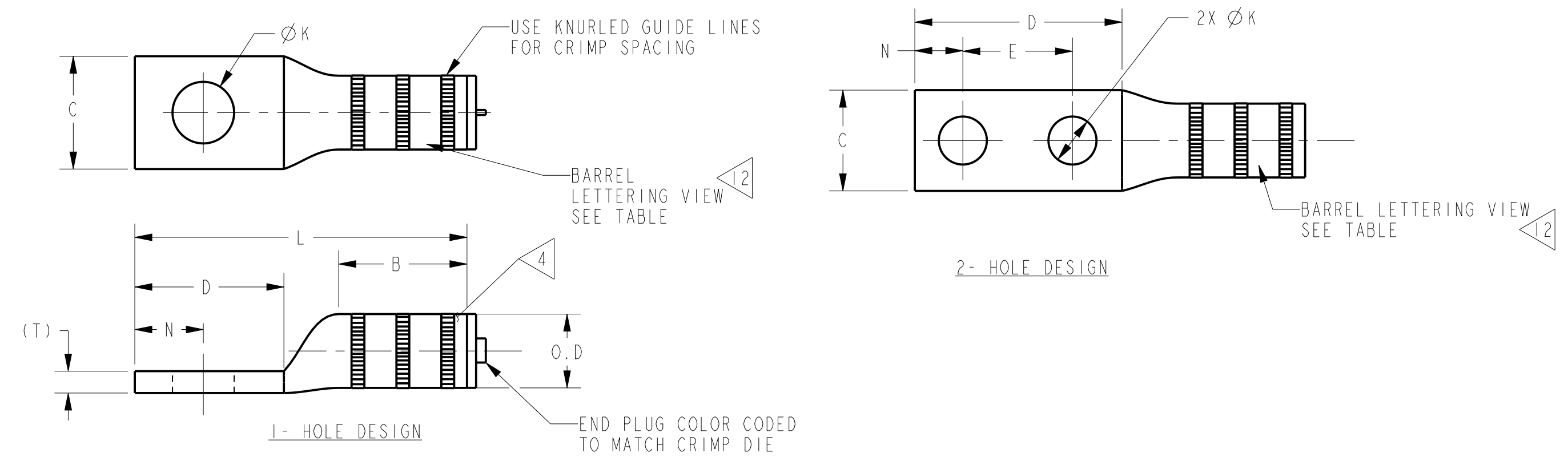
CATALOG NUMBER	CONDUCTOR SIZE		CONNECTOR DIMENSIONS-LINEAR MEASURE IN, [mm]											INFORMATION	BARREL LETTERING INFORMATION
	ALUMINUM	COPPER	STUD SIZE	NO. OF. HOLES	B	C	D	E	$\phi$ K	L	N	O.D.	(T)		
YA26A1	2/0 AWG CLASS B CONCENTRIC COMPRESSED COMPACT SIW	2/0 AWG CLASS B,C CONCENTRIC COMPRESSED COMPACT	1/2	1	1.17	1.03	1.36	--	.56	3.03	.63	.67 [17]	.20	TIN	FIG. 2
YA26A2					[30]	[26]	[35]	[14]	[77]	[16]	[5]		NONE	FIG. 1	
YA26A6					[30]	[17]	[30]	[11]	[71]	[11]	[6]		TIN	FIG. 2	
YA26A7			5/16		1.17	.67	1.18	--	.44	2.79	.44		.24	TIN	FIG. 2
YA26A8			5/8		1.17	.67	.81	--	.38	2.52	.41		.24	TIN	FIG. 2
YA26A9			5/16		1.17	1.03	1.36	--	.69	3.03	.63		.20	TIN	FIG. 2
YA26A3			1/2		1.17	1.03	1.57	.75	.38	3.24	.41		.24	TIN	FIG. 2
YA26A4			1/2		1.17	1.03	3.11	1.75	.56	4.78	.63		.20	TIN	FIG. 2
YA26A5			3/8		1.17	.92	1.89	1.00	.44	3.56	.44		.24	TIN	FIG. 2

REV	DATE	DESCRIPTION	ECO	BY	C'H'K.
AU	2018-01-25 00:00:00 EST	UPDATED AS PER MARKUP	48409	YR	VS

COLOR CODE	BURNDY® INSTALLATION TOOLING (#CRIMPS)											DIELESS (#CRIMPS)		STRIP LENGTH
	DIE INFORMATION		MECHANICAL		HYDRAULIC						MECHANICAL	HYDRAULIC		
	DIE INDEX	TYPE	OUR840	MD6	Y34A Y34B	Y35, Y39 Y750 PAT750	Y46	Y45	Y48BH	Y60				
OLIVE	297 BG 245	OLIVE DIE SET	X26ART (4) XBG (4) X245 (4)	X26ART (4) WBG (2) W245 (3)	A26AR (2)	U26ART (2) UBG (2) U245 (1)	U26ART (2) UBG (2) U245 (1)	U26ART (2) UBG (2) U245 (1)	C28AR (1)	--	MRC840AL (3) MY29-3 (2)	Y81KFT (2) PAT81KFT (2) Y644 (1) PAT644 (1)	1 3/8"	
	297	NEST INDENTOR	--	--	A29D(1) B29D(1) Y34PR-5	--	P29D(1) P34PR-5	--	--	--	--	--		



BARREL LETTERING VIEW



NOTES:

- ALL HYLUGS™ ACCOMMODATE U.S. STANDARD WASHERS
- REMOVE ALL EXCESS PENETROX™ FROM CONNECTOR AND ADJACENT CONDUCTOR PRIOR TO TAPING.
- UL LISTED AND CSA CERTIFIED WIRE CONNECTORS, RATED 90 C (AL9CU) FOR USE WITH COPPER OR ALUMINUM CONDUCTOR. APPROVAL APPLY TO TIN PLATED CONNECTORS ONLY.
- CONNECTOR BARRELS PREFILLED WITH PENETROX™
- DIMENSIONS IN BRACKETS [ ] ARE IN MILLIMETERS ROUNDED OFF TO THE NEAREST MILLIMETER, UNLESS OTHERWISE NOTED, AND ARE FOR REFERENCE ONLY.
- ADD SUFFIX "DT" TO ORDER LUGS WITH CRIMP BARREL SEALED AIR TIGHT INSIDE THE TRANSITION.
- CATALOG #PT6515 ADAPTOR IS REQUIRED TO USE "U" DIES IN Y45 SERIES TOOLS.
- CATALOG #PUADP-1 ADAPTOR IS REQUIRED TO USE "U" DIES IN Y46 SERIES TOOLS.
- Y35P3 INDENTOR ADAPTOR REQUIRED FOR "Y34PR" TYPE INDENTORS.
- FOR USE BY CUSTOMERS THAT HAVE THIS HYPRESS™. NO NEW HYPRESSES™ ARE BEING PROCESSED.
- ADD SUFFIX "U" TO ORDER LUGS WITH UNDRILLED TONGUE.
- ENLARGED BARREL MARKING VIEW.

UNINSULATED COMPRESSION TERMINAL MATERIAL: ALUMINUM TUBE

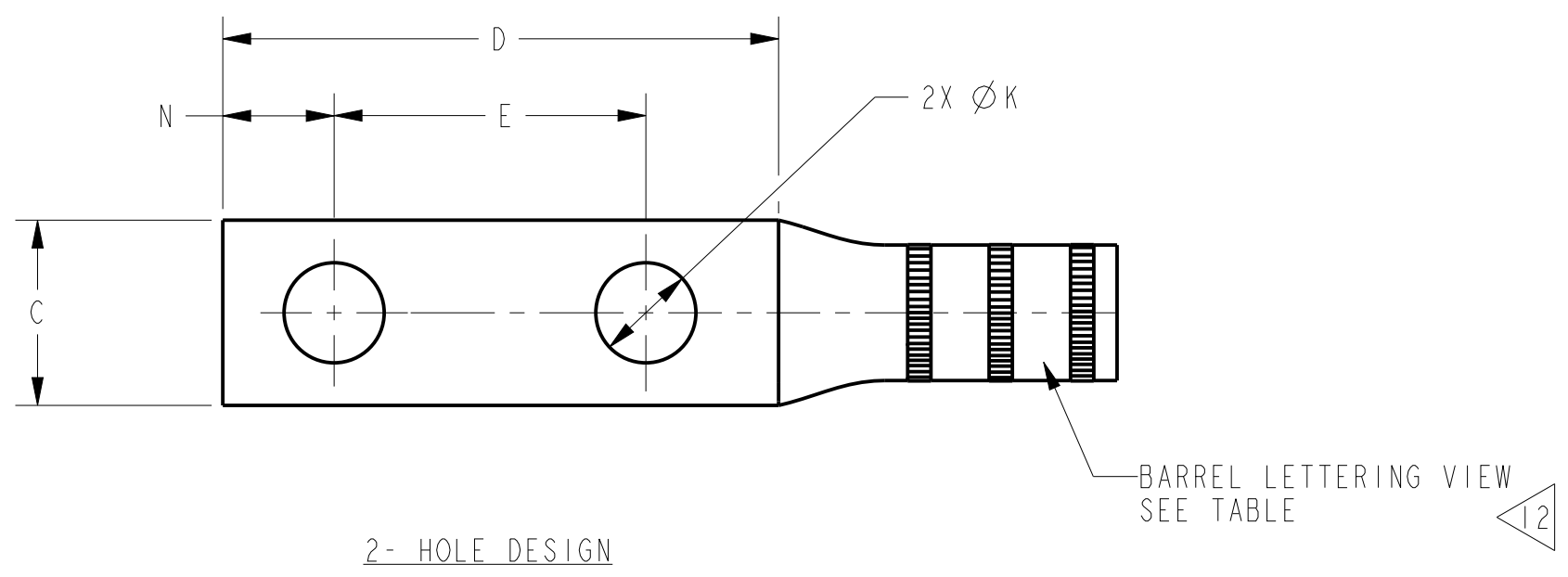
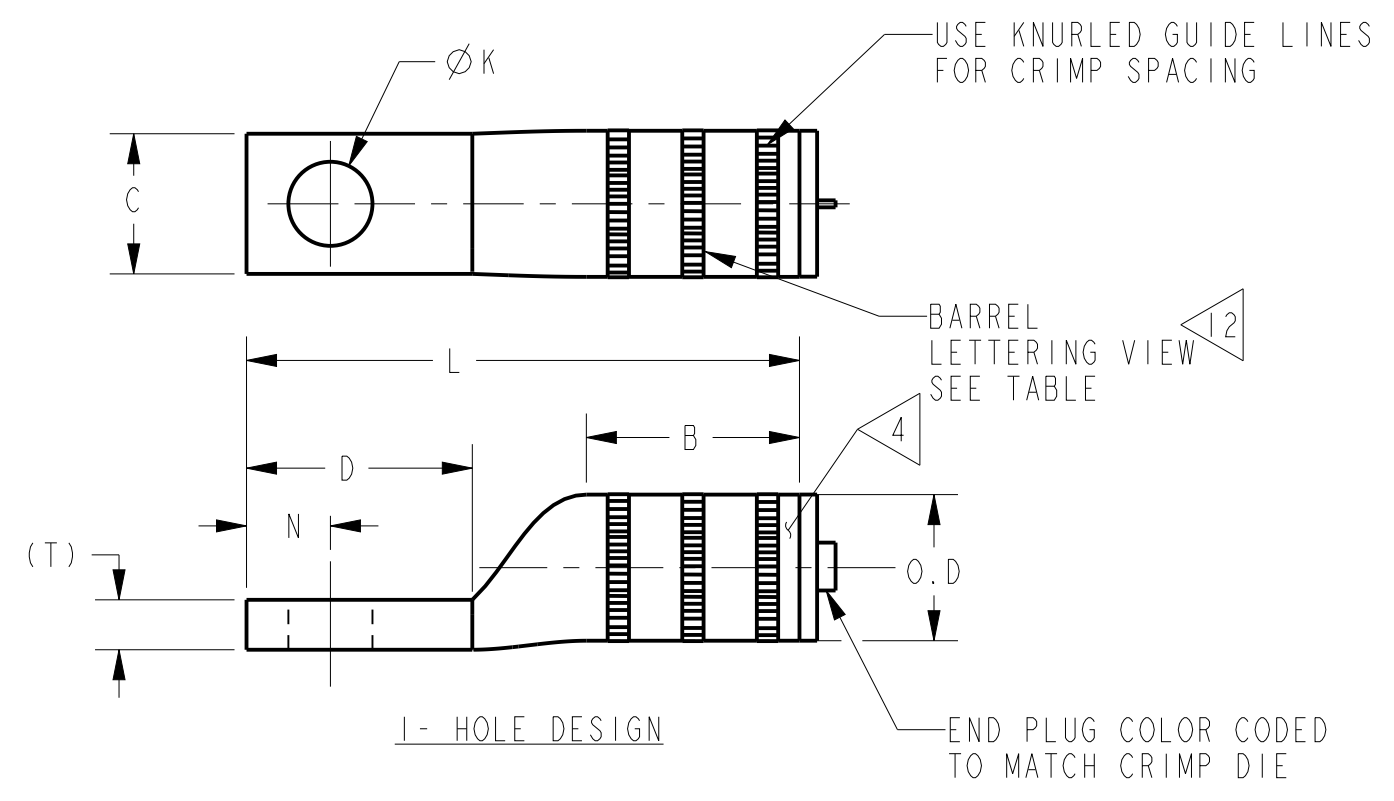
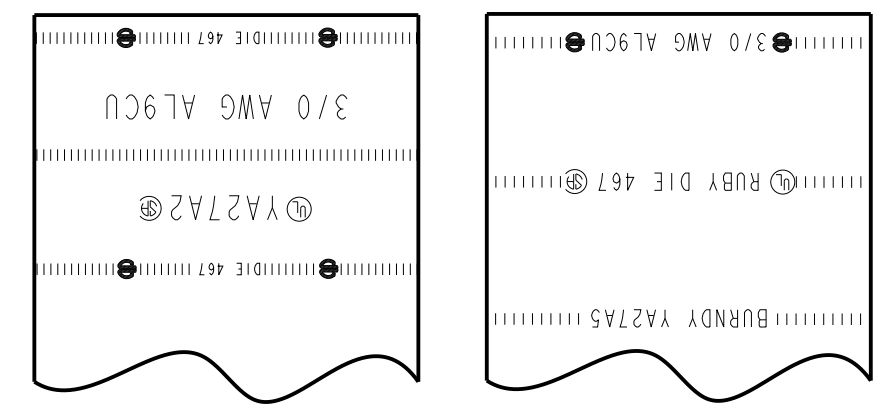
TO ORDER BURNDY® PRODUCTS CALL UNITED STATES: 1-800-346-4175 (LONDONDERRY, NH) CANADA: 1-800-361-6975 (QUEBEC) 1-800-387-6487 (ALL OTHER PROVINCES) FOR PRODUCT INFO: <a href="http://www.burndy.com">http://www.burndy.com</a>	HYLUG™	
	ITEM NO: NA	CAT. NO: YA26A-(SEE TABLE)
	DRAWN BY: E.S.K 7/9/72	CHECKER: S.F.P 8/01/72
	DSN APPVL: R.B 8/02/72	MFG APPVL: --
	QA APPVL: D.VARIO 6/19/95	MKT APPVL: P.WERTHMAN 6/19/95
	PROD FAM: CM&R COMPRESSION	SCALE: 1:1
	PROJECT #: --	SIZE
	DOCUMENT TYPE: Sales	SD073935
	REL LEVEL: Released	C
		SHEET 7 OF 24

REV: PE0200

CATALOG NUMBER	CONDUCTOR SIZE		CONNECTOR DIMENSIONS-LINEAR MEASURE IN, [mm]											INFORMATION	BARREL LETTERING INFORMATION
	ALUMINUM	COPPER	STUD SIZE	NO. OF HOLES	B	C	D	E	Ø K	L	N	O.D	(T)		
YA27A1	3/0 AWG CLASS B CONCENTRIC COMPRESSED COMPACT SIW	3/0 AWG CLASS B,C CONCENTRIC COMPRESSED COMPACT	3/8	1	1.11	.73	1.18	--	.44	2.88	.44	.76	.26	TIN	FIG. 2
[28]					[19]	[30]	[11]	[73]	[11]	[7]	NONE		FIG. 1		
YA27A2			1/2	1	1.31	1.04	1.37	--	.56	3.27	.63	.76	.26	TIN	FIG. 2
[33]					[26]	[35]	[14]	[83]	[16]	NONE	FIG. 1				
YA27A3			1/2	2	1.31	1.04	3.12	1.75	.56	5.02	.63	.76	.26	TIN	FIG. 2
[33]					[26]	[79]	[44]	[14]	[128]	[16]	NONE		FIG. 1		
YA27A4			3/8	2	1.31	1.04	1.89	1.00	.44	3.79	.44	.76	.26	TIN	FIG. 2
[33]	[26]	[48]			[25]	[11]	[96]	[11]	NONE	FIG. 1					
YA27A5	3/8	2	1.31	1.04	1.89	1.00	.44	3.79	.44	.76	.26	TIN	FIG. 2		
[33]			[26]	[48]	[25]	[11]	[96]	[11]	NONE		FIG. 1				
YA27A6	3/8	2	1.31	1.04	1.89	1.00	.44	3.79	.44	.76	.26	TIN	FIG. 2		
[33]			[26]	[48]	[25]	[11]	[96]	[11]	NONE		FIG. 1				
YA27A7	3/8	2	1.31	1.04	1.89	1.00	.44	3.79	.44	.76	.26	TIN	FIG. 2		
[33]			[26]	[48]	[25]	[11]	[96]	[11]	NONE		FIG. 1				

REV	DATE	DESCRIPTION	ECO	BY	C'H'K.
AU	2018-01-25 00:00:00 EST	UPDATED AS PER MARKUP	48409	YR	VS

COLOR CODE	BURNDY® INSTALLATION TOOLING (# CRIMPS)										DIELESS (#CRIMPS)		STRIP LENGTH
	DIE INFORMATION		MECHANICAL		HYDRAULIC						MECHANICAL	HYDRAULIC	
	DIE INDEX	TYPE	OUR840	MD6	Y34A Y34B	Y35, Y39 Y750 PAT750	Y46	Y45	Y48BH	Y60			
RUBY	467 166	RUBY DIE SET	X27ART (4)	X27ART (4) WI66 (4)	A27AR (2)	U27ART (2) UI66 (2)	U27ART (2) UI66 (2)	U27ART (2) UI66 (2)	U27AR (1)	--	MRC840AL (3) MY29-3 (2)	Y81KFT (2) PAT81KFT (2) Y644 (1) PAT644 (1)	1 1/2"
	467	NEST INDENTOR	--	--	A30D(1) B30D(1) Y34PR-5	--	P30D(1) P34PR-5	--	--	--	--	--	



- NOTES:
- ALL HYLUGS™ ACCOMMODATE U.S. STANDARD WASHERS
  - REMOVE ALL EXCESS PENETROX™ FROM CONNECTOR AND ADJACENT CONDUCTOR PRIOR TO TAPING.
  - UL LISTED AND CSA CERTIFIED WIRE CONNECTORS. RATED 90 C (AL9CU) FOR USE WITH COPPER OR ALUMINUM CONDUCTOR. APPROVAL APPLY TO TIN PLATED CONNECTORS ONLY.
  - CONNECTOR BARRELS PREFILLED WITH PENETROX™
  - DIMENSIONS IN BRACKETS [ ] ARE IN MILLIMETERS ROUNDED OFF TO THE NEAREST MILLIMETER, UNLESS OTHERWISE NOTED, AND ARE FOR REFERENCE ONLY.
  - ADD SUFFIX "DT" TO ORDER LUGS WITH CRIMP BARREL SEALED AIR TIGHT INSIDE THE TRANSITION.
  - CATALOG #PT6515 ADAPTOR IS REQUIRED TO USE "U" DIES IN Y45 SERIES TOOLS.
  - CATALOG #PUADP-1 ADAPTOR IS REQUIRED TO USE "U" DIES IN Y46 SERIES TOOLS.
  - Y35P3 INDENTOR ADAPTOR REQUIRED FOR "Y34PR" TYPE INDENTORS.
  - FOR USE BY CUSTOMERS THAT HAVE THIS HYPRESS™. NO NEW HYPRESSES™ ARE BEING PROCESSED.
  - ADD SUFFIX "U" TO ORDER LUGS WITH UNDRILLED TONGUE.
  - ENLARGED BARREL MARKING VIEW.

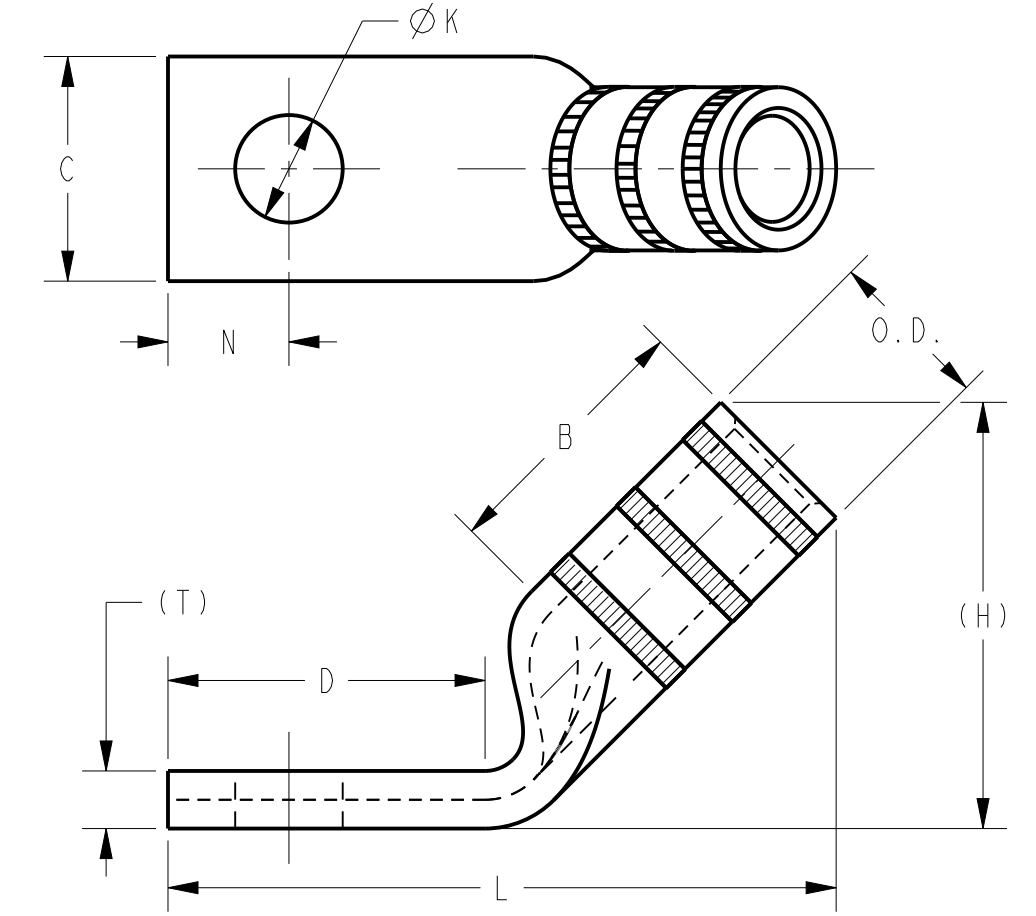
UNINSULATED COMPRESSION TERMINAL MATERIAL: ALUMINUM TUBE

TO ORDER BURNDY® PRODUCTS CALL UNITED STATES: 1-800-346-4175 (LONDONDERRY, NH) CANADA: 1-800-361-6975 (QUEBEC) 1-800-387-6487 (ALL OTHER PROVINCES) FOR PRODUCT INFO: <a href="http://www.burndy.com">http://www.burndy.com</a>	HYLUG™	
	ITEM NO: NA	CAT. NO: YA27A-(SEE TABLE)
	DRAWN BY: E.S.K 7/19/72	CHECKER: S.F.P 8/01/72
	DSN APPVL: R.B 8/02/72	MFG APPVL: --
	QA APPVL: D.VARIO 6/19/95	MKT APPVL: P.WERTHMAN 6/19/95
	PROD FAM: CM&R COMPRESSION	SCALE: 1:1
	PROJECT #: --	SIZE
	DOCUMENT TYPE: Sales	SD073935
	REL LEVEL: Released	SHEET 8 OF 24

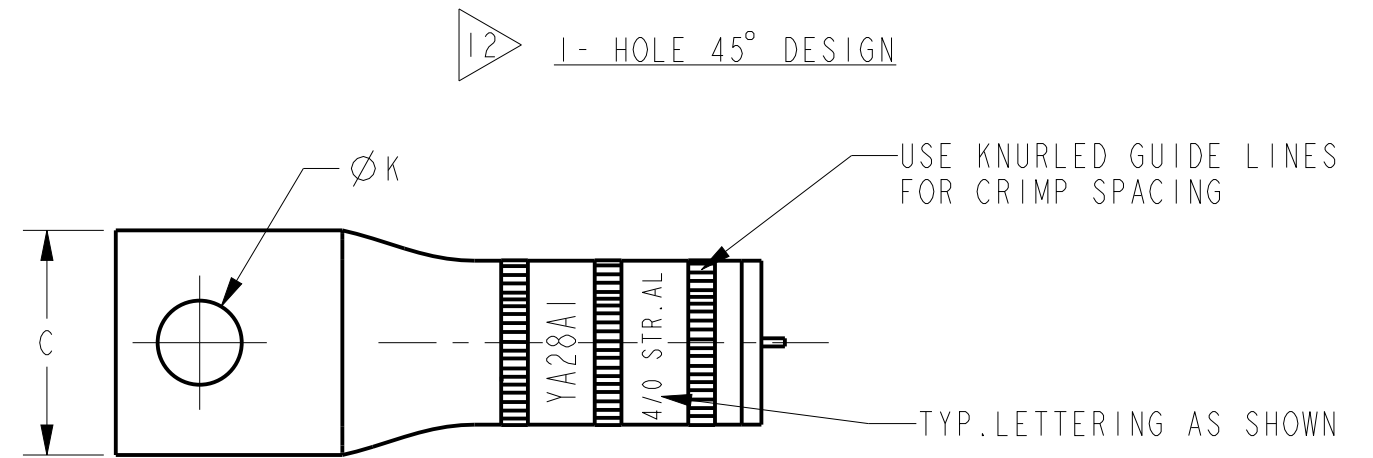
REV: PE0200

CATALOG NUMBER	CONDUCTOR SIZE		CONNECTOR DIMENSIONS-LINEAR MEASURE IN, [mm]											INFORMATION	
	ALUMINUM	COPPER	STUD SIZE	NO. OF HOLES	B ±.08	C ±.04	D REF.	E ±.02	ØK ±.02	L ±.12	N ±.03	O.D ±.01	T REF.		H REF.
YA28A1			3/8	1	1.39	1.17	1.18	--	.44	3.26	.44	.85 [22]	.30	--	TIN
YA28A2		[35]			[30]	[30]	--	[11]	[83]	[11]	[8]		NONE		
YA28A3		1.39			1.17	1.36	--	.56	3.44	.63	.30		TIN		
YA28A4		[35]			[30]	[35]	--	[14]	[87]	[16]	[8]		NONE		
YA28A9			5/8	1	1.39	1.17	1.52	--	.69	3.60	.75	.30	--	TIN	
YA28A5	4/0 AWG CLASS B CONCENTRIC COMPRESSED COMPACT SIW	4/0 AWG CLASS B,C CONCENTRIC COMPRESSED COMPACT	1/2	2	1.39	1.17	3.11	1.75	.56	5.19	.63	.30	--	TIN	
YA28A6			[35]		[30]	[79]	[44]	[14]	[132]	[16]	[8]	NONE			
YA28A7			1.39		1.17	1.89	1.00	.44	3.97	.44	.30	TIN			
YA28A8			[35]		[30]	[48]	[25]	[11]	[101]	[11]	[8]	NONE			
YA28A345			1/2	1	1.39	1.17	1.36	--	.56	3.48	.63	.30	2.22	TIN	
YA28A390			[35]		[30]	[35]	--	[14]	[88]	[16]	[8]	[56]	2.70		
YA28A590			1/2	2	1.39	1.17	3.11	1.75	.56	3.63	.63	.30	2.73	TIN	
			[35]	[30]	[79]	[44]	[14]	[98]	[16]	[8]	[69]	[8]	[69]	[3]	

REV	DATE	DESCRIPTION	ECO	BY	C'H'K.
AU	2018-01-25 00:00:00 EST	UPDATED AS PER MARKUP	48409	YR	VS

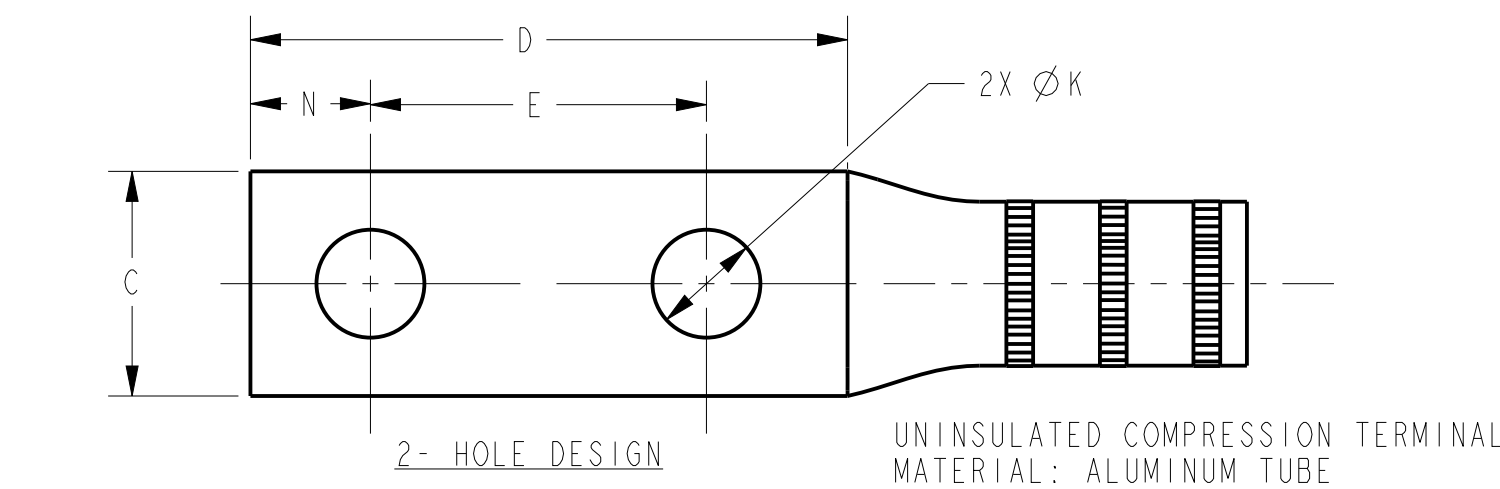
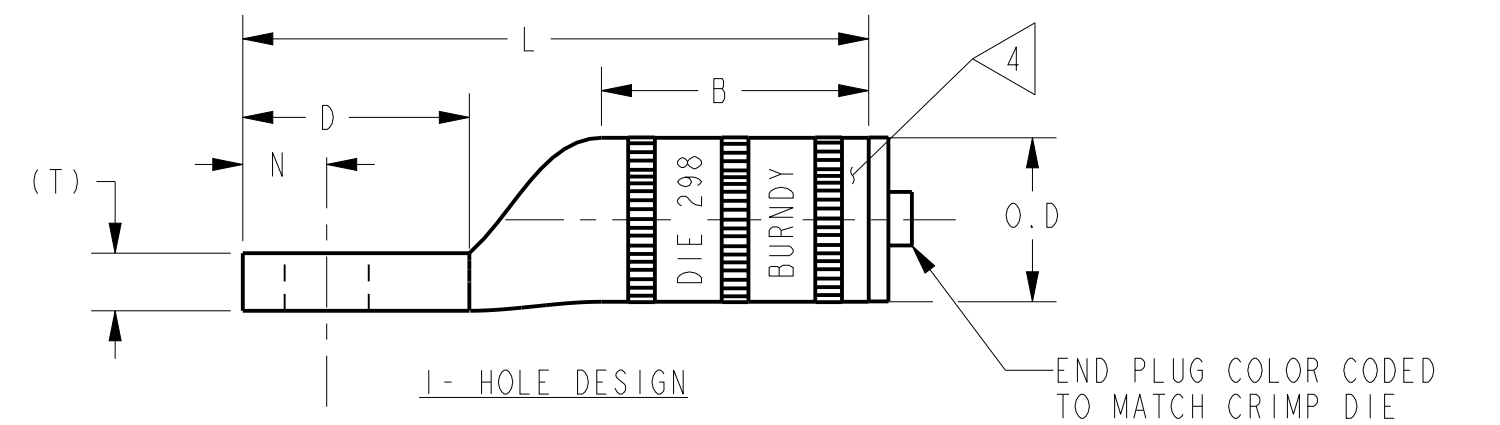
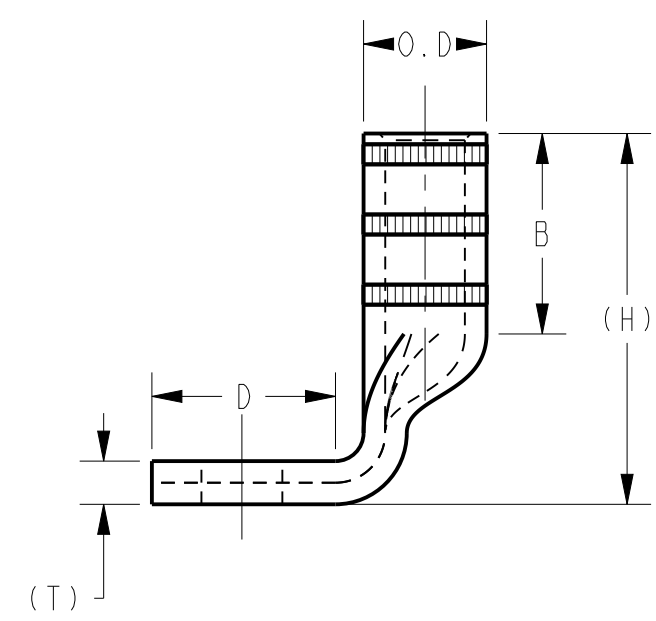
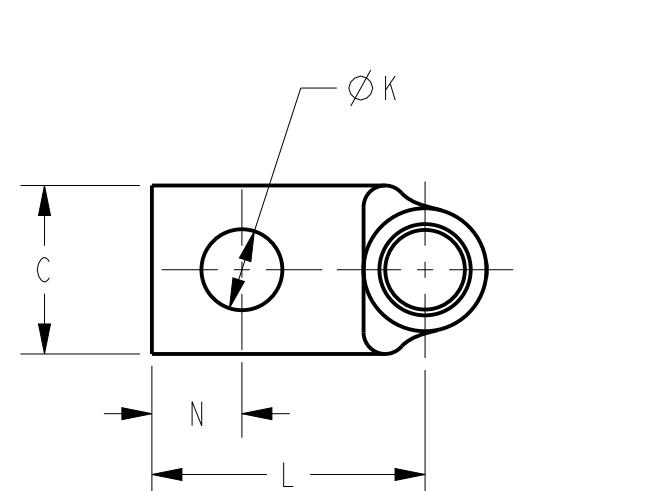


COLOR CODE	BURNDY® INSTALLATION TOOLING (#CRIMPS)										DIELESS (#CRIMPS)		STRIP LENGTH
	DIE INFORMATION		MECHANICAL				HYDRAULIC				MECHANICAL	HYDRAULIC	
	DIE INDEX	TYPE	OUR840	MD6	Y34A Y34B	Y35, Y39 Y750 PAT750	Y46	Y45	Y48BH	Y60			
WHITE	298 660	WHITE DIE SET	X28ART (6) X660 (8)	X28ART (6) W660 (3)	A28AR (2)	U28ART (2) U660 (2)	U28ART (2) U660 (2)	U28ART (2) U660 (2)	C28AR (1)	--	MRC840AL (3) MY29-3 (2)	Y81KFT (2) PAT81KFT (2) Y644 (1) PAT644 (1)	1 5/8"
	298	NEST INDENTOR	--	--	A31D(1) B31D(1) Y34PR-5	--	P31D(1) P34PR-5	--	--	--	--	--	



NOTES:

- ALL HYLUGS™ ACCOMMODATE U.S. STANDARD WASHERS
- REMOVE ALL EXCESS PENETROX™ FROM CONNECTOR AND ADJACENT CONDUCTOR PRIOR TO TAPING.
- UL LISTED AND CSA CERTIFIED WIRE CONNECTORS. RATED 90 C (AL9CU) FOR USE WITH COPPER OR ALUMINUM CONDUCTOR. APPROVAL APPLY TO TIN PLATED CONNECTORS ONLY.
- CONNECTOR BARRELS PREFILLED WITH PENETROX™
- DIMENSIONS IN BRACKETS [ ] ARE IN MILLIMETERS ROUNDED OFF TO THE NEAREST MILLIMETER, UNLESS OTHERWISE NOTED, AND ARE FOR REFERENCE ONLY.
- NO-OX-ID "A" COATED TO PREVENT FORMATION OF OXIDATION
- ADD SUFFIX "DT" TO ORDER LUGS WITH CRIMP BARREL SEALED AIR TIGHT INSIDE THE TRANSITION.
- CATALOG #PT6515 ADAPTOR IS REQUIRED TO USE "U" DIES IN Y45 SERIES TOOLS.
- CATALOG #PUADP-1 ADAPTOR IS REQUIRED TO USE "U" DIES IN Y46 SERIES TOOLS.
- Y35P3 INDENTOR ADAPTOR REQUIRED FOR "Y34PR" TYPE INDENTORS.
- FOR USE BY CUSTOMERS THAT HAVE THIS HYPRESS™. NO NEW HYPRESSES™ ARE BEING PROCESSED.
- CAN ALSO BE ORDERED AS 2 HOLE 45 AND 90 DEGREE.
- ADD SUFFIX "U" TO ORDER LUGS WITH UNDRILLED TONGUE.



TO ORDER BURNDY® PRODUCTS CALL		HYLUG™	
UNITED STATES: 1-800-346-4175 (LONDONDERRY, NH)		ITEM NO: NA	CAT. NO: YA28A-(SEE TABLE)
CANADA: 1-800-361-6975 (QUEBEC) 1-800-387-6487 (ALL OTHER PROVINCES)		DRAWN BY: E.S.K 7/19/72	CHECKER: S.F.P 8/01/72
FOR PRODUCT INFO: <a href="http://www.burndy.com">http://www.burndy.com</a>		DSN APPVL: R.B 8/02/72	MFG APPVL: --
		QA APPVL: D.VARIO 6/19/95	MKT APPVL: P.WERTHMAN 6/19/95
		PROD FAM: CM&R COMPRESSION	SCALE: 1:1
		PROJECT #: --	SIZE
		DOCUMENT TYPE: Sales	DRAWING NO: SD073935
		REL LEVEL: Released	REV: AU
			SHEET 9 OF 24

CATALOG NUMBER	CONDUCTOR SIZE		CONNECTOR DIMENSIONS-LINEAR MEASURE IN, [mm]											INFORMATION	BARREL LETTERING INFORMATION
	ALUMINUM	COPPER	STUD SIZE	NO. OF HOLES	B	C	D	E	Ø K	L	N	O.D	(T)		
YA29A1	250 Kcmil CLASS B CONCENTRIC COMPRESSED COMPACT SIW	250 Kcmil CLASS B,C CONCENTRIC COMPRESSED COMPACT	1/2	1	1.45 [37]	1.26 [32]	1.36 [35]	--	.56 [14]	3.53 [90]	.63 [16]	.92 [37]	.33 [8]	TIN	FIG. 2
YA29A2			1/2	1	1.45 [37]	1.26 [32]	3.11 [79]	1.75 [44]	.56 [14]	5.28 [134]	.63 [16]		NONE	FIG. 1	
YA29A3			1/2	2	1.45 [37]	1.26 [32]	1.89 [48]	1.00 [25]	.44 [11]	4.06 [103]	.44 [11]		TIN	FIG. 2	
YA29A4			1/2	2	1.45 [37]	1.26 [32]	1.89 [48]	1.00 [25]	.44 [11]	4.06 [103]	.44 [11]		NONE	FIG. 1	
YA29A5			3/8	2	1.45 [37]	1.26 [32]	1.89 [48]	1.00 [25]	.44 [11]	4.06 [103]	.44 [11]		TIN	FIG. 2	
YA29A6			5/8	1	1.45 [37]	1.26 [32]	1.52 [39]	--	.69 [18]	3.69 [94]	.75 [19]		NONE	FIG. 2	

REV	DATE	DESCRIPTION	ECO	BY	C'H'K.
AU	2018-01-25 00:00:00 EST	UPDATED AS PER MARKUP	48409	YR	VS

COLOR CODE	BURNDY® INSTALLATION TOOLING (#CRIMPS)										DIELESS (#CRIMPS)		STRIP LENGTH
	DIE INFORMATION		MECHANICAL		HYDRAULIC						MECHANICAL	HYDRAULIC	
	DIE INDEX	TYPE	OUR840	MD6	Y34A Y34B	Y35, Y39 Y750 PAT750	Y46	Y45	Y48BH	Y60			
RED	324	RED DIE SET	--	--	A29AR (2)	U29ART (2)	U29ART (2)	U29ART (2)	C29AR (1)	L29ART (1)	--	Y81KFT (2) PAT81KFT (2) Y644 (1) PAT644 (1)	1 5/8"
		NEST INDENTOR	--	--	A32D(1) B32D(1) Y34PR-5	--	P32D(1) P34PR-5	--	--	--	--		

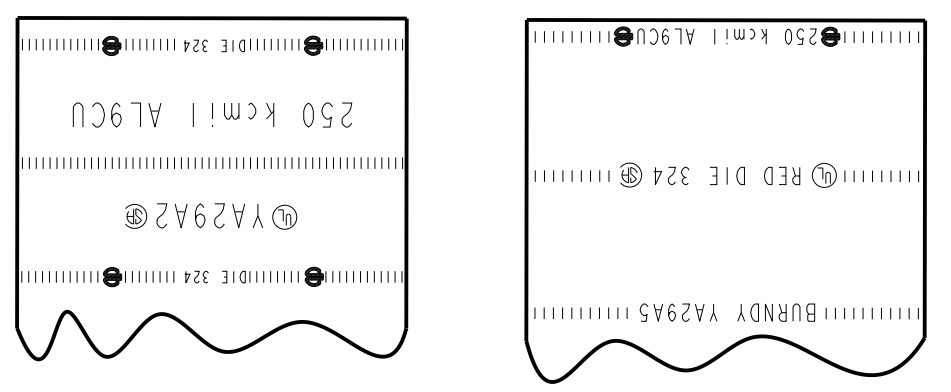
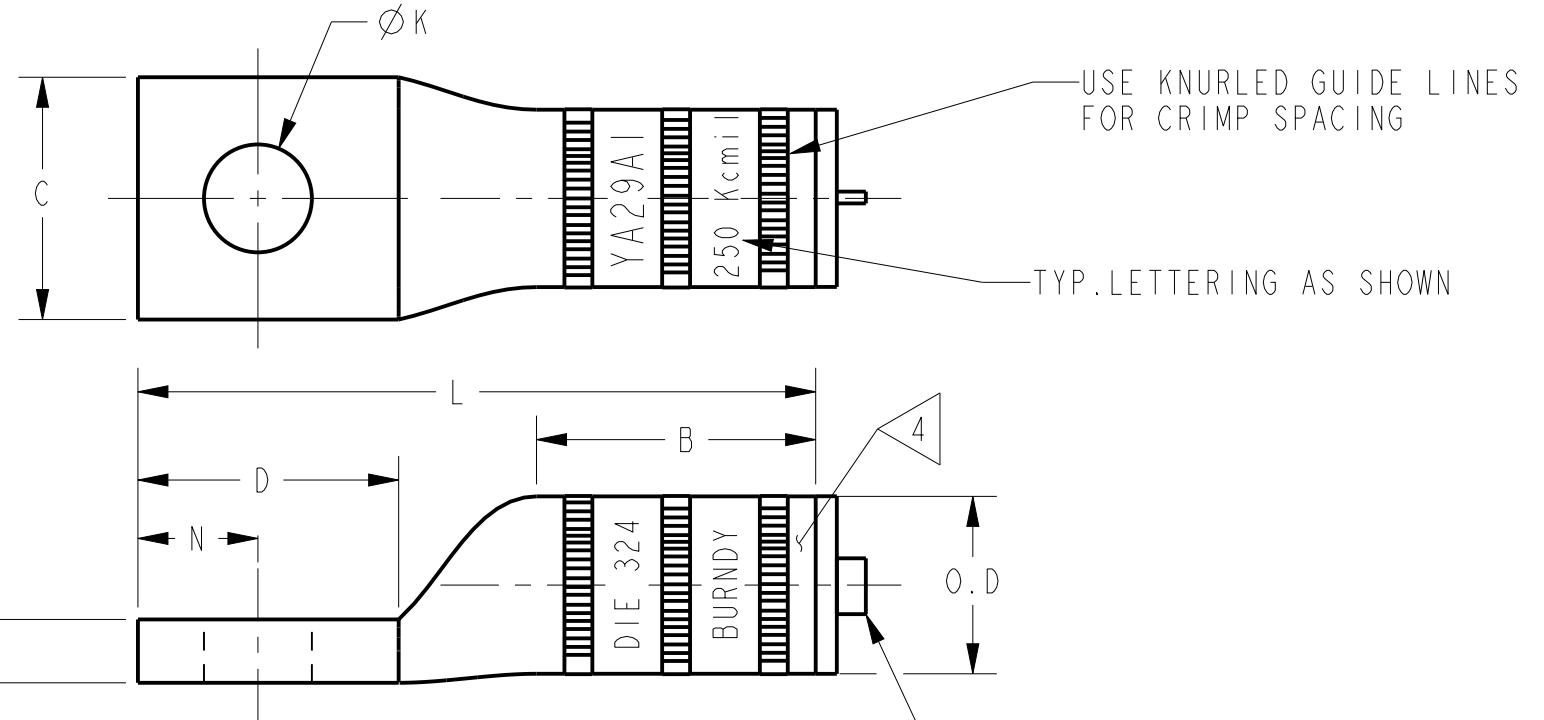


FIG. 1  
FIG. 2  
BARREL LETTERING VIEW



- NOTES:
- ALL HYLUGS™ ACCOMMODATE U.S. STANDARD WASHERS
  - REMOVE ALL EXCESS PENETROX™ FROM CONNECTOR AND ADJACENT CONDUCTOR PRIOR TO TAPING.
  - UL LISTED AND CSA CERTIFIED WIRE CONNECTORS. RATED 90 C (AL9CU) FOR USE WITH COPPER OR ALUMINUM CONDUCTOR. APPROVAL APPLY TO TIN PLATED CONNECTORS ONLY.
  - CONNECTOR BARRELS PREFILLED WITH PENETROX™
  - DIMENSIONS IN BRACKETS [ ] ARE IN MILLIMETERS ROUNDED OFF TO THE NEAREST MILLIMETER, UNLESS OTHERWISE NOTED, AND ARE FOR REFERENCE ONLY.
  - ADD SUFFIX "DT" TO ORDER LUGS WITH CRIMP BARREL SEALED AIR TIGHT INSIDE THE TRANSITION.
  - CATALOG #PT6515 ADAPTOR IS REQUIRED TO USE "U" DIES IN Y45 SERIES TOOLS.
  - CATALOG #PUADP-1 ADAPTOR IS REQUIRED TO USE "U" DIES IN Y46 SERIES TOOLS.
  - Y35P3 INDENTOR ADAPTOR REQUIRED FOR "Y34PR" TYPE INDENTORS.
  - FOR USE BY CUSTOMERS THAT HAVE THIS HYPRESS™. NO NEW HYPRESSES™ ARE BEING PROCESSED.
  - ADD SUFFIX "U" TO ORDER LUGS WITH UNDRILLED TONGUE.
  - ENLARGED BARREL MARKING VIEW.

TO ORDER BURNDY® PRODUCTS CALL  
 UNITED STATES:  
 1-800-346-4175 (LONDONDERRY, NH)  
 CANADA:  
 1-800-361-6975 (QUEBEC)  
 1-800-387-6487 (ALL OTHER PROVINCES)  
 FOR PRODUCT INFO: <http://www.burndy.com>

HYLUG™			
ITEM NO:	NA		
CAT. NO:	YA29A-(SEE TABLE)		
DRAWN BY:	E.S.K	7/20/72	
CHECKER:	S.F.P	8/01/72	
DSN APPVL:	R.B	8/02/72	
MFG APPVL:	--	--	
QA APPVL:	D.VARIO	8/19/95	
MKT APPVL:	P.WERTHMAN	6/18/95	
PROD FAM:	CM&R COMPRESSION		SCALE: 1:1
PROJECT #:	--	SIZE	REV
DOCUMENT TYPE:	Sales		SD073935
REL LEVEL:	Released		SHEET 10 OF 24

CATALOG NUMBER	CONDUCTOR SIZE		CONNECTOR DIMENSIONS-LINEAR MEASURE IN, [mm]											INFORMATION	BARREL LETTERING INFORMATION
	ALUMINUM	COPPER	STUD SIZE	NO. OF HOLES	B	C	D	E	Ø K	L	N	O.D	(T)		
YA30A1	300 Kcmil CLASS B CONCENTRIC COMPRESSED COMPACT SIW	300 Kcmil CLASS B,C CONCENTRIC COMPRESSED COMPACT	1/2	1	1.53	1.38	1.37	--	.56	3.90	.63	1.01 [26]	.36	TIN	FIG. 2
YA30A2					[39]	[35]	[35]		[14]	[99]	[16]		[9]	NONE	FIG. 1
YA30A6			3/8	1	1.53	1.38	1.37	--	.44	3.90	.63	1.01 [26]	.36	TIN	FIG. 2
YA30A3			[39]	[35]	[35]		[11]	[99]	[16]	[9]	NONE		FIG. 1		
YA30A4			1/2	2	1.53	1.38	3.11	1.75	.56	5.64	.63	1.01 [26]	.36	TIN	FIG. 2
YA30A5			[39]	[35]	[79]	[44]	[14]	[143]	[16]	[9]	NONE		FIG. 1		
YA30A9NT100	4/0 AWG CCA DLO (329/22)		5/16	1	1.53	1.00	1.37	--	.38	3.90	.63	1.01 [26]	.36	TIN	FIG. 2
			[39]	[25]	[35]		[10]	[99]	[16]	[9]	NONE		FIG. 1		

REV	DATE	DESCRIPTION	ECO	BY	C'H'K.
AU	2018-01-25 00:00:00 EST	UPDATED AS PER MARKUP	48409	YR	VS

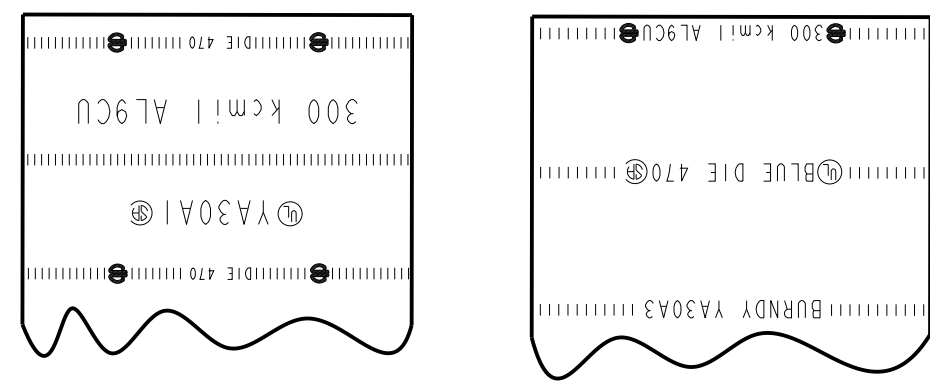
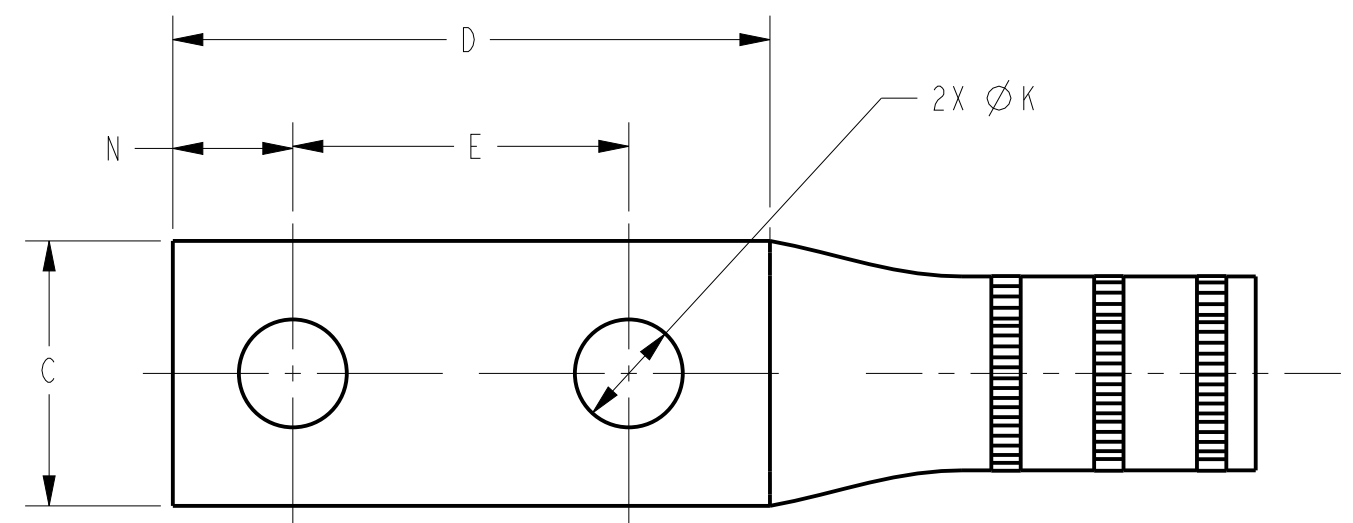
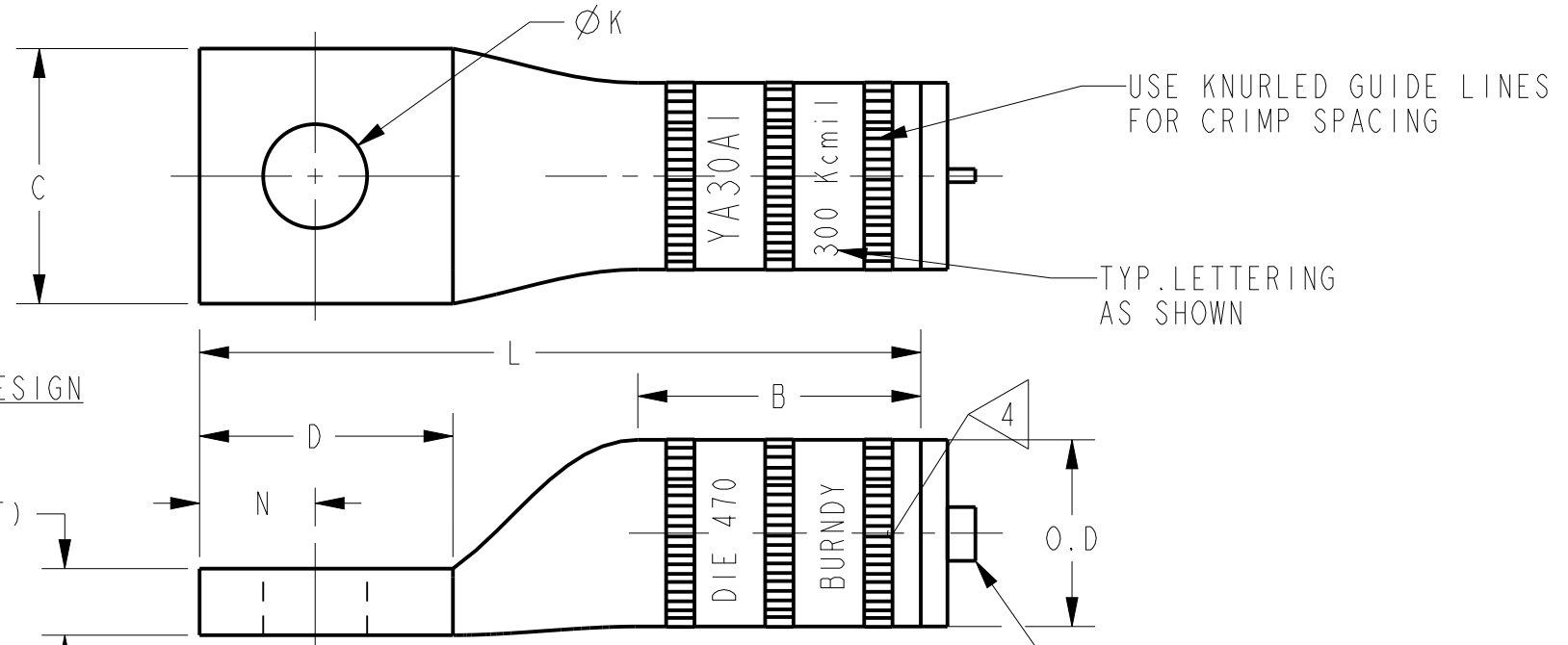


FIG. 1 FIG. 2

COLOR CODE	BURNDY® INSTALLATION TOOLING (#CRIMPS)										DIELESS (#CRIMPS)		STRIP LENGTH
	DIE INFORMATION		MECHANICAL		HYDRAULIC						MECHANICAL	HYDRAULIC	
	DIE INDEX	TYPE	OUR840	MD6	Y34A Y34B	Y35, Y39 Y750 PAT750	Y46	Y45	Y48BH	Y60			
BLUE	470	BLUE DIE SET	--	--	A30AR (2)	U30ART (2)	U30ART (2)	U30ART (2)	C30AR (1)	L30ART (1)	--	Y81KFT (2) PAT81KFT (2) Y644 (1) PAT644 (1)	1 3/4"
		NEST INDENTOR	--	--	A34D(1) Y34PR-11	--	P34D(1) Y48PR-1	--	C34D(1) Y48PR-1	--	--		

BARREL LETTERING VIEW



NOTES:

- ALL HYLUGS™ ACCOMMODATE U.S. STANDARD WASHERS
- REMOVE ALL EXCESS PENETROX™ FROM CONNECTOR AND ADJACENT CONDUCTOR PRIOR TO TAPING.
- UL LISTED AND CSA CERTIFIED WIRE CONNECTORS. RATED 90 C (AL9CU) FOR USE WITH COPPER OR ALUMINUM CONDUCTOR. APPROVAL APPLY TO TIN PLATED CONNECTORS ONLY.
- CONNECTOR BARRELS PREFILLED WITH PENETROX™
- DIMENSIONS IN BRACKETS [ ] ARE IN MILLIMETERS ROUNDED OFF TO THE NEAREST MILLIMETER, UNLESS OTHERWISE NOTED, AND ARE FOR REFERENCE ONLY.
- ADD SUFFIX "DT" TO ORDER LUGS WITH CRIMP BARREL SEALED AIR TIGHT INSIDE THE TRANSITION.
- CATALOG #PT6515 ADAPTOR IS REQUIRED TO USE "U" DIES IN Y45 SERIES TOOLS.
- CATALOG #PUADP-1 ADAPTOR IS REQUIRED TO USE "U" DIES IN Y46 SERIES TOOLS.
- Y35P3 INDENTOR ADAPTOR REQUIRED FOR "Y34PR" TYPE INDENTORS.
- FOR USE BY CUSTOMERS THAT HAVE THIS HYPRESS™. NO NEW HYPRESSES™ ARE BEING PROCESSED.
- UL LISTED WITH DLO COPPER CLAD ALUMINUM CONDUCTOR USING Y644 TOOLS ONLY.
- ADD SUFFIX "U" TO ORDER LUGS WITH UNDRILLED TONGUE.
- ENLARGED BARREL MARKING VIEW.

UNINSULATED COMPRESSION TERMINAL MATERIAL: ALUMINUM TUBE

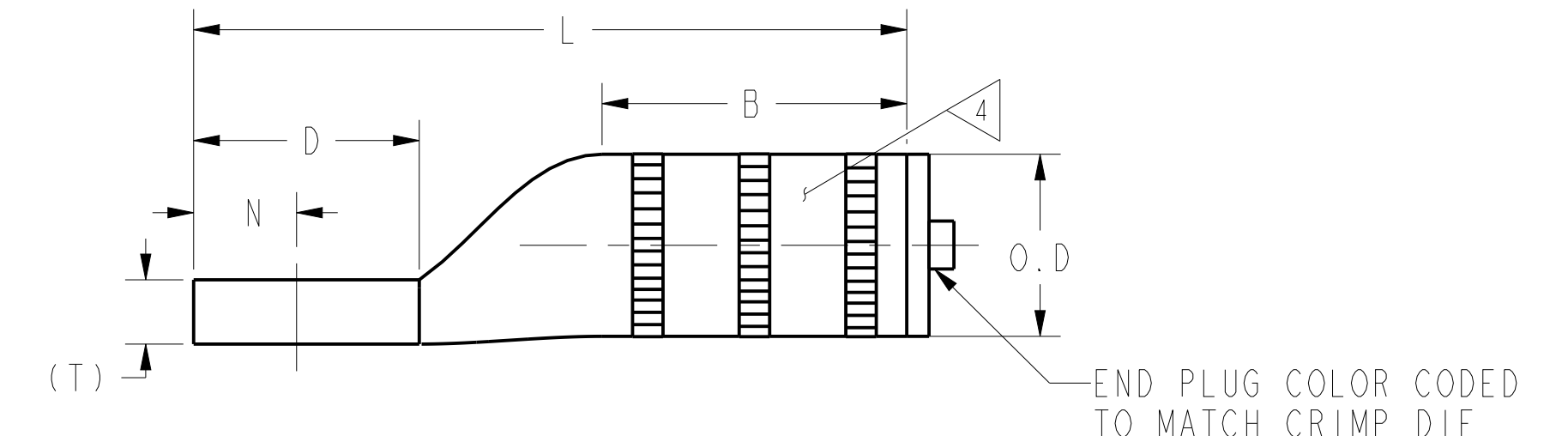
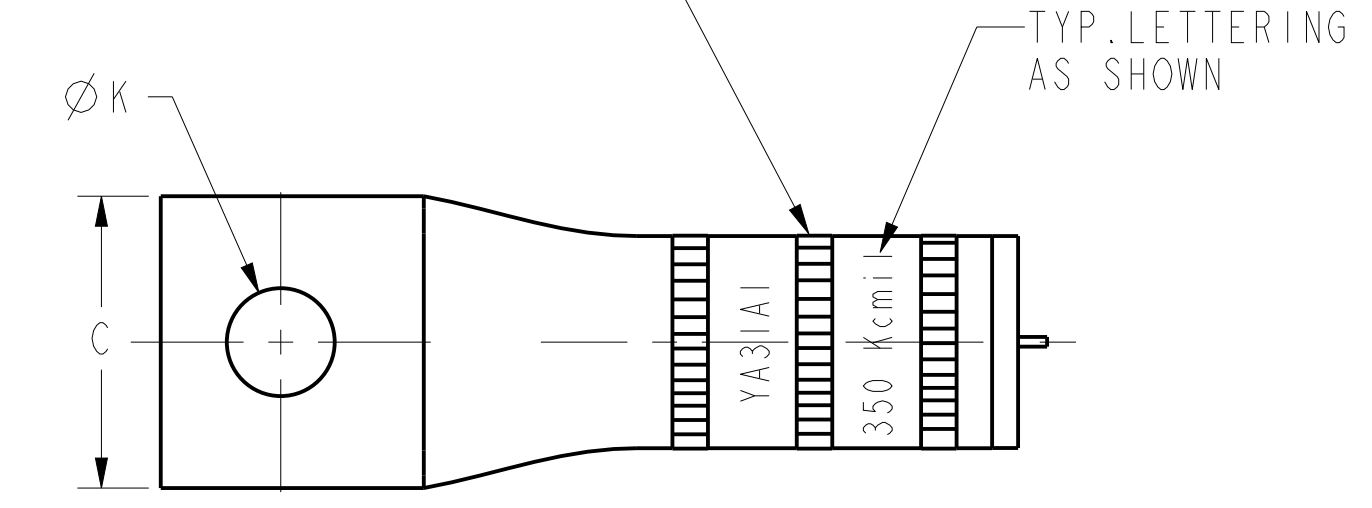
TO ORDER BURNDY® PRODUCTS CALL UNITED STATES: 1-800-346-4175 (LONDONDERRY, NH) CANADA: 1-800-361-6975 (QUEBEC) 1-800-387-6487 (ALL OTHER PROVINCES) FOR PRODUCT INFO: <a href="http://www.burndy.com">http://www.burndy.com</a>	HYLUG™	
	ITEM NO: NA	CAT. NO: YA30A-(SEE TABLE)
	DRAWN BY: E.S.K 7/20/72	CHECKER: S.F.P 8/01/72
	DSN APPVL: R.B 8/02/72	MFG APPVL: --
	QA APPVL: D.VARIO 8/19/95	MKT APPVL: P.WERTHMAN 6/18/95
	PROD FAM: CM&R COMPRESSION	DRAWING NO
	PROJECT #: --	SIZE
	DOCUMENT TYPE: Sales	SCALE: 1:1
	REL LEVEL: Released	REV
		SD073935
	SHEET 11 OF 24	

REV: PE0200

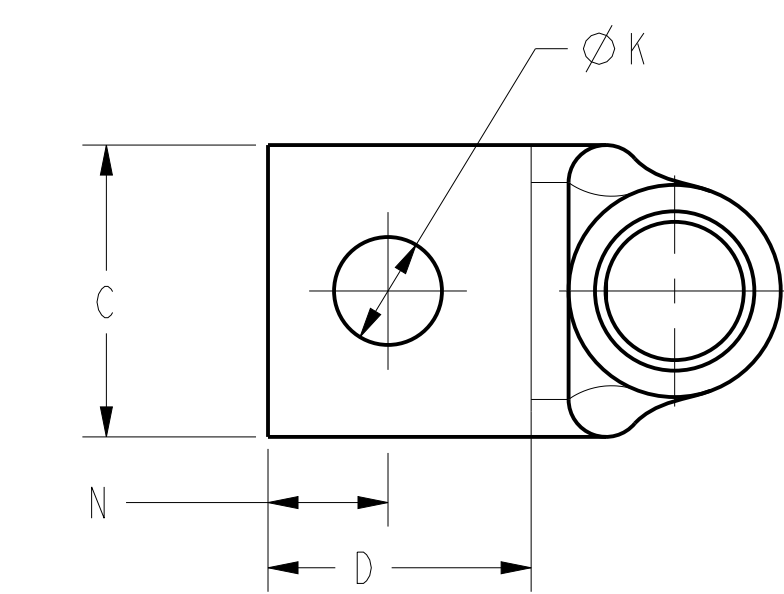
REV	DATE	DESCRIPTION	ECO	BY	C'H'K.
AU	2018-01-25 00:00:00 EST	UPDATED AS PER MARKUP	48409	YR	VS

CATALOG NUMBER	CONDUCTOR SIZE		CONNECTOR DIMENSIONS-LINEAR MEASURE IN, [mm]											INFORMATION	BARREL LETTERING INFORMATION
	ALUMINUM	COPPER	STUD SIZE	NO. OF HOLES	B	C	D	E	Ø K	L	N	O.D.	(T)		
YA31A1			1/2	1	1.85 [47]	1.52 [39]	1.37 [35]	--	.56 [14]	4.33 [110]	.63 [16]		.39 [10]	TIN	FIG. 1
YA31A2			1/2	1	1.85 [47]	1.52 [39]	1.37 [35]	--	.56 [14]	4.33 [110]	.63 [16]		.39 [10]	NONE	FIG. 2
YA31A3			1/2	2	1.85 [47]	1.52 [39]	3.11 [79]	1.75 [44]	.56 [14]	6.07 [154]	.63 [16]		.39 [10]	TIN	FIG. 1
YA31A4			1/2	2	1.85 [47]	1.52 [39]	3.11 [79]	1.75 [44]	.56 [14]	6.07 [154]	.63 [16]		.39 [10]	NONE	FIG. 2
YA31A5			3/8	2	1.85 [47]	1.52 [39]	1.89 [48]	1.00 [25]	.44 [11]	4.85 [123]	.44 [11]	1.11 [28]	.39 [10]	TIN	FIG. 1
YA31A5NT119			3/8	2	1.85 [47]	1.00 [25]	1.89 [48]	1.00 [25]	.44 [11]	4.85 [123]	.44 [11]	1.11 [28]	.39 [10]	TIN	FIG. 2
YA31A5NT100			3/8	2	1.85 [47]	1.00 [25]	1.89 [48]	1.00 [25]	.44 [11]	4.85 [123]	.44 [11]	1.11 [28]	.39 [10]	NONE	FIG. 2
YA31A6			3/8	1	1.85 [47]	1.52 [39]	.89 [23]	--	.44 [11]	3.85 [98]	.44 [11]	1.11 [28]	.39 [10]	TIN	FIG. 1
YA31A9NT100			3/8	1	1.85 [47]	1.00 [25]	1.89 [48]	--	.44 [11]	4.85 [123]	.44 [11]	1.11 [28]	.39 [10]	TIN	FIG. 2
YA31A12			5/8	1	1.85 [47]	1.52 [39]	1.37 [35]	--	.65 [17]	4.33 [110]	.63 [16]	1.11 [28]	.39 [10]	TIN	FIG. 1
YA31A190			1/2	1	1.85 [47]	1.52 [39]	1.37 [35]	--	.56 [14]	2.12 [54]	.63 [16]	1.11 [28]	.39 [10]	TIN	FIG. 1

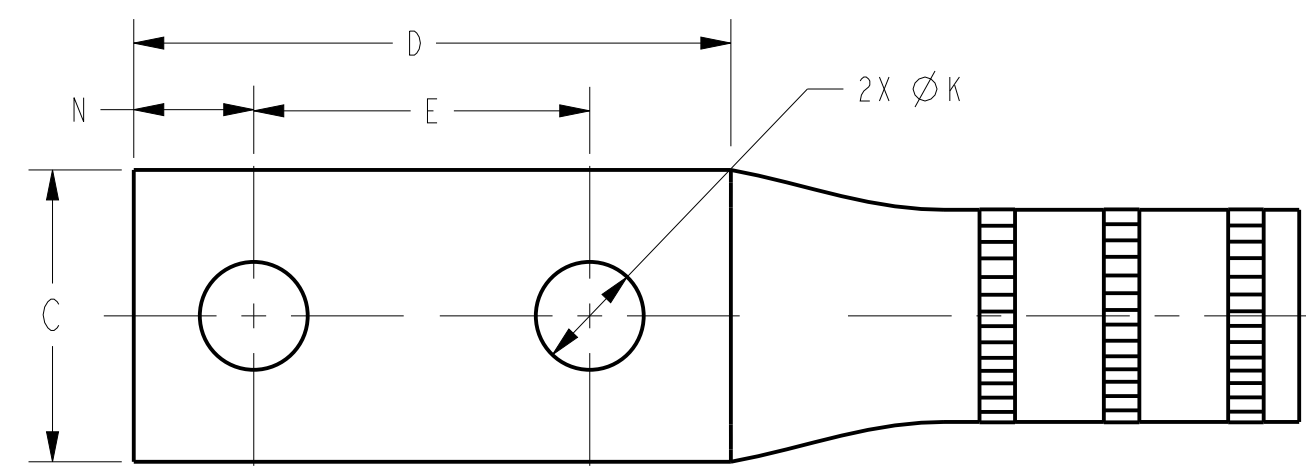
USE KNURLED GUIDE LINES FOR CRIMP SPACING



1- HOLE DESIGN



1- HOLE 90° DESIGN



2- HOLE DESIGN

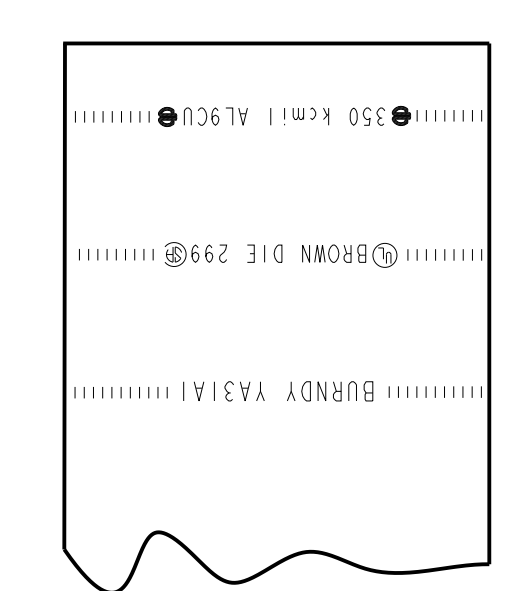


FIG. 1

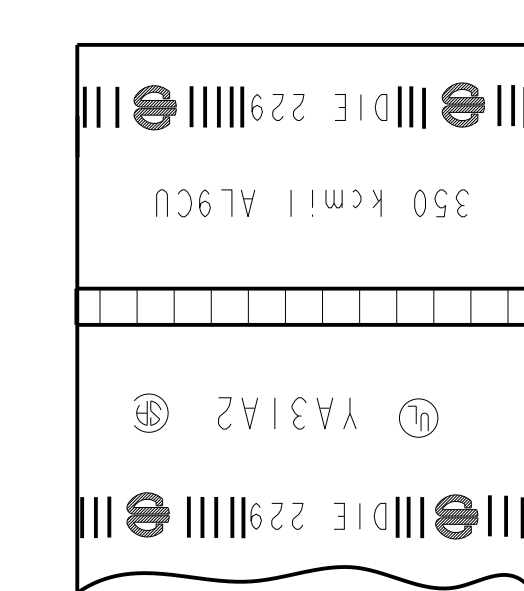


FIG. 2

DEVELOPED LETTERING VIEWS

- NOTES:
- ALL HYLUG<sup>TM</sup> ACCOMMODATE U.S. STANDARD WASHERS.
  - REMOVE ALL EXCESS PENETROX<sup>TM</sup> FROM CONNECTOR AND ADJACENT CONDUCTOR PRIOR TO TAPING.
  - UL LISTED AND CSA CERTIFIED WIRE CONNECTORS. RATED 90 C (AL9CU) FOR USE WITH COPPER OR ALUMINUM CONDUCTOR. APPROVAL APPLY TO TIN PLATED CONNECTORS ONLY.
  - CONNECTOR BARRELS PREFILLED WITH PENETROX<sup>TM</sup>.
  - DIMENSIONS IN BRACKETS [ ] ARE IN MILLIMETERS ROUNDED OFF TO THE NEAREST MILLIMETER, UNLESS OTHERWISE NOTED, AND ARE FOR REFERENCE ONLY.
  - ADD SUFFIX "DT" TO ORDER LUGS WITH CRIMP BARREL SEALED AIR TIGHT INSIDE THE TRANSITION.
  - CATALOG #PT6515 ADAPTOR IS REQUIRED TO USE "U" DIES IN Y45 SERIES TOOLS.
  - CATALOG #PUADP-1 ADAPTOR IS REQUIRED TO USE "U" DIES IN Y46 SERIES TOOLS.
  - Y35P3 INDENTOR ADAPTOR REQUIRED FOR "Y34PR" TYPE INDENTORS.
  - FOR USE BY CUSTOMERS THAT HAVE THIS HYPRESS<sup>TM</sup>. NO NEW HYPRESSES<sup>TM</sup> ARE BEING PROCESSED.
  - UL LISTED WITH DLO COPPER CLAD ALUMINUM CONDUCTOR USING Y644 TOOLS ONLY.
  - ADD SUFFIX "U" TO ORDER LUGS WITH UNDRILLED TONGUE.
  - ENLARGED BARREL MARKING VIEWS.

TO ORDER BURNDY® PRODUCTS CALL		HYLUG <sup>TM</sup>	
UNITED STATES 1-800-346-4175 (LONDONDERRY, NH)		ITEM NO: N/A	CAT. NO: YA31A-(SEE TABLE)
CANADA: 1-800-361-6975 (QUEBEC) 1-800-387-6487 (ALL OTHER PROVINCES)		DRAWN BY: E.S.K 7/21/72	CHECKER: S.F.P 8/01/72
FOR PRODUCT INFO: <a href="http://www.burndy.com">http://www.burndy.com</a>		DSN APPVL: R.B 8/02/72	MFG APPVL: --
		QA APPVL: D.VARIO 6/18/95	MKT APPVL: P.WERTHMAN 6/18/95
		PROD FAM: CM&R COMPRESSION	DRAWING NO: SD073935
		PROJECT #: --	SCALE: 1:1
		DOCUMENT TYPE: Sales	REV: AU
		REL LEVEL: Released	SHEET 12 OF 24

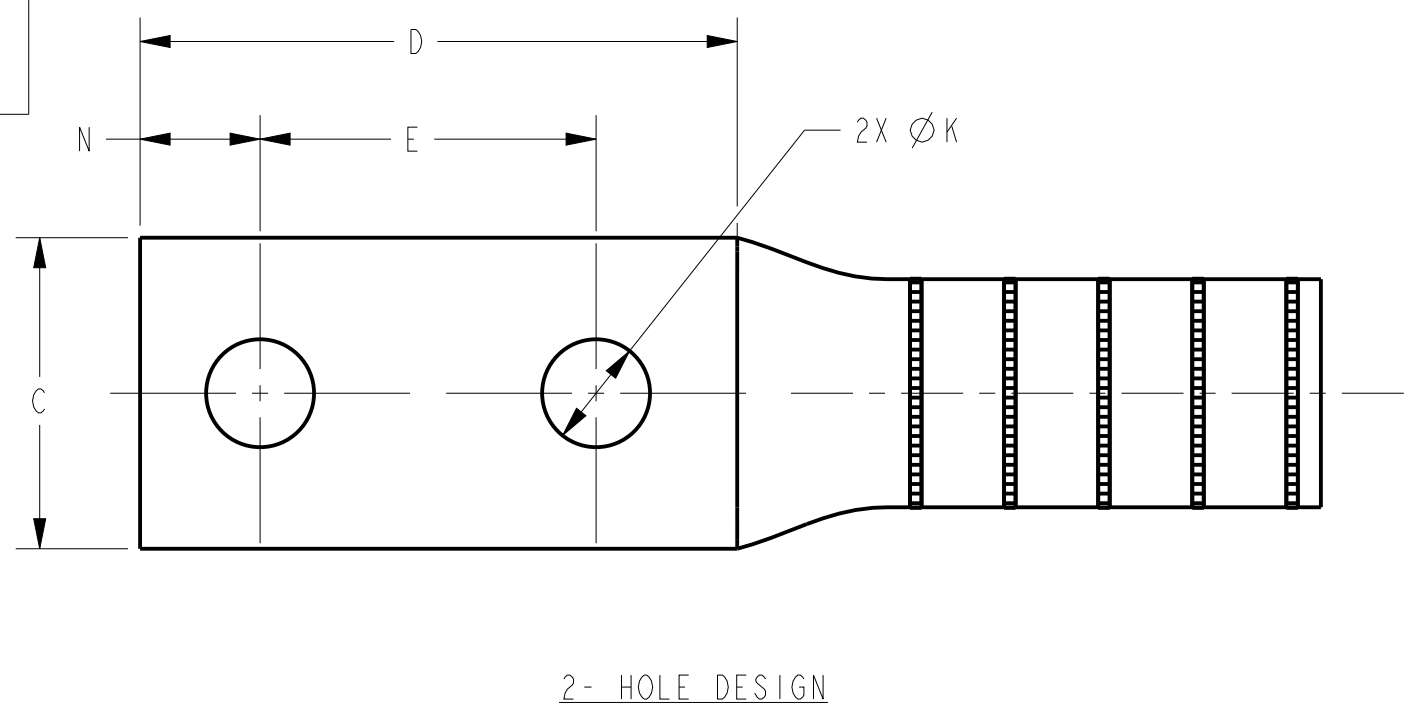
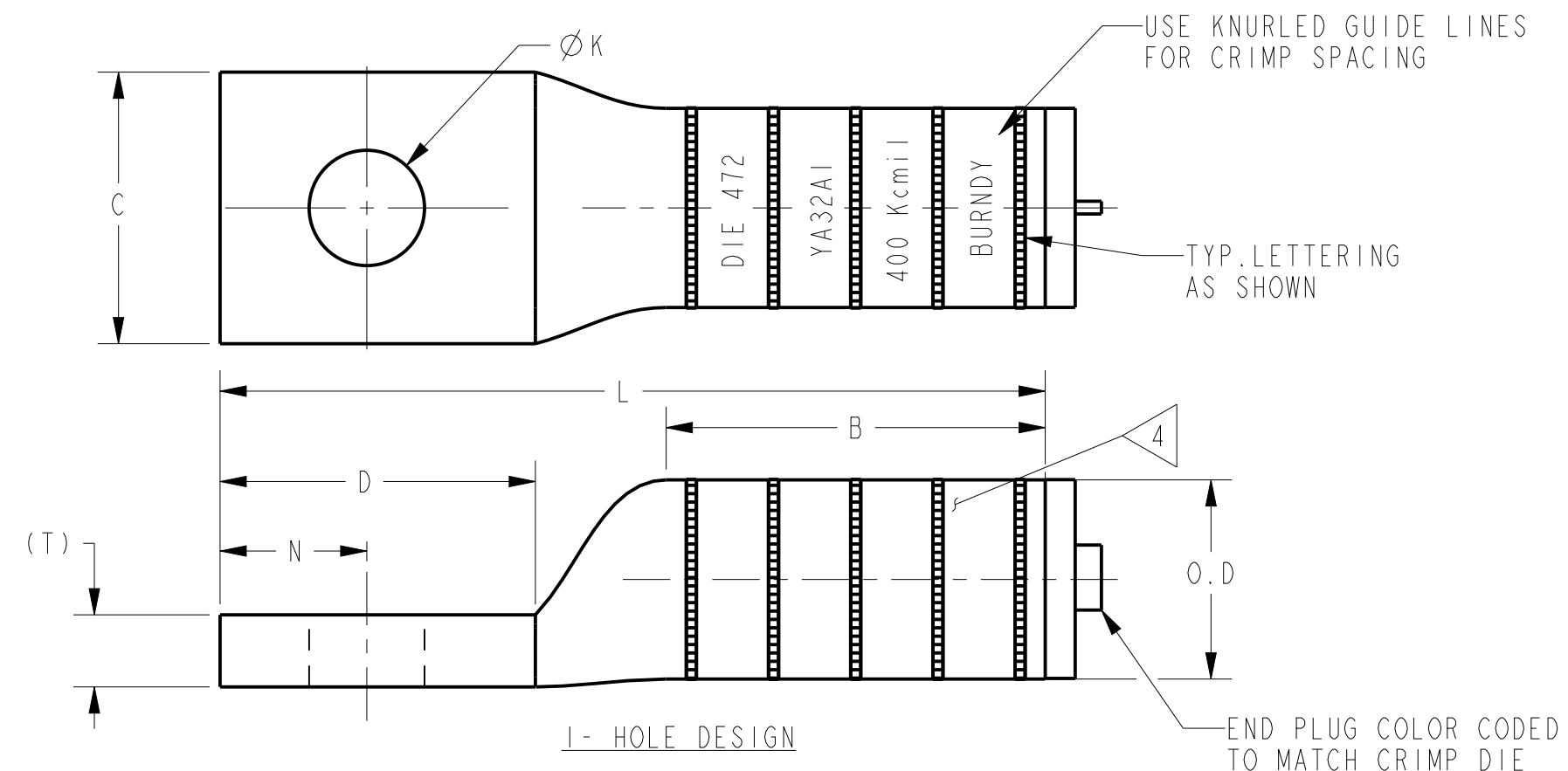


REV: PEC200

CATALOG NUMBER	CONDUCTOR SIZE		CONNECTOR DIMENSIONS-LINEAR MEASURE IN, [mm]											INFORMATION
	ALUMINUM	COPPER	STUD SIZE	NO. OF HOLES	B	C	D	E	Ø K	L	N	O.D	(T)	
YA32A1	400 kcmil CLASS B CONCENTRIC COMPRESSED SIW	400 kcmil CLASS B,C CONCENTRIC COMPACT	5/8	1	2.26	1.62	1.88	--	.69	4.92	.88	1.19 [30]	.43	TIN
YA32A2					[57]	[41]	[48]		[18]	[125]	[22]		[11]	NONE
YA32A6			1/2	2.26	1.62	1.88	--	.56	4.92	.88	.43		TIN	
YA32A3			1/2	2.26	1.62	3.11	1.75	.56	6.15	.63	.43		TIN	
YA32A4			1/2	[57]	[41]	[79]	[44]	[14]	[156]	[16]	[11]		NONE	
YA32A5	3/8	2.26	1.62	1.89	1.00	.44	4.93	.44	.43	TIN				
					[57]	[41]	[48]	[25]	[11]	[125]	[11]	[11]		

REV	DATE	DESCRIPTION	ECO	BY	C'H'K.
AU	2018-01-25 00:00:00 EST	UPDATED AS PER MARKUP	48409	YR	VS

COLOR CODE	BURNDY® INSTALLATION TOOLING (#CRIMPS)										DIELESS (#CRIMPS)		STRIP LENGTH
	DIE INFORMATION		MECHANICAL		HYDRAULIC						MECHANICAL	HYDRAULIC	
DIE INDEX	TYPE	OUR840	MD6	Y34A Y34B	Y35, Y39 Y750 PAT750	Y46	Y45	Y48BH	Y60				
GREEN	GREEN DIE SET	--	--	--	U32ART (4)	U32ART (4)	U32ART (4)	C32AR (2)	L32ART (2)	--	Y81KFT (4) PAT81KFT (4) Y644 (1) PAT644 (1)	2 1/2"	
	NEST INDENTOR	--	--	--	--	P35D(1) P48PR-1	--	C35D(1) Y48PR-1	--	--			



- NOTES:
- ALL HYLUGS™ ACCOMMODATE U.S. STANDARD WASHERS
  - REMOVE ALL EXCESS PENETROX™ FROM CONNECTOR AND ADJACENT CONDUCTOR PRIOR TO TAPING.
  - UL LISTED AND CSA CERTIFIED WIRE CONNECTORS. RATED 90 C (AL9CU) FOR USE WITH COPPER OR ALUMINUM CONDUCTOR. APPROVAL APPLY TO TIN PLATED CONNECTORS ONLY.
  - CONNECTOR BARRELS PREFILLED WITH PENETROX™
  - DIMENSIONS IN BRACKETS [ ] ARE IN MILLIMETERS ROUNDED OFF TO THE NEAREST MILLIMETER, UNLESS OTHERWISE NOTED, AND ARE FOR REFERENCE ONLY.
  - ADD SUFFIX "DT" TO ORDER LUGS WITH CRIMP BARREL SEALED AIR TIGHT INSIDE THE TRANSITION.
  - CATALOG #PT6515 ADAPTOR IS REQUIRED TO USE "U" DIES IN Y45 SERIES TOOLS.
  - CATALOG #PUADP-1 ADAPTOR IS REQUIRED TO USE "U" DIES IN Y46 SERIES TOOLS.
  - Y35P3 INDENTOR ADAPTOR REQUIRED FOR "Y34PR" TYPE INDENTORS.
  - FOR USE BY CUSTOMERS THAT HAVE THIS HYPRESS™. NO NEW HYPRESSES™ ARE BEING PROCESSED.
  - ADD SUFFIX "U" TO ORDER LUGS WITH UNDRILLED TONGUE.

UNINSULATED COMPRESSION TERMINAL MATERIAL: ALUMINUM TUBE

TO ORDER BURNDY® PRODUCTS CALL  
 UNITED STATES:  
 1-800-346-4175 (LONDONDERRY, NH)  
 CANADA:  
 1-800-361-6975 (QUEBEC)  
 1-800-387-6487 (ALL OTHER PROVINCES)  
 FOR PRODUCT INFO: <http://www.burndy.com>

HYLUG™	
ITEM NO:	NA
CAT. NO:	YA32A-(SEE TABLE)
DRAWN BY:	E.S.K 7/21/72
CHECKER:	S.F.P 8/01/72
DSN APPVL:	R.B 8/02/72
MFG APPVL:	--
QA APPVL:	D.VARIO 6/18/95
MKT APPVL:	P.WERTHMAN 6/18/95
PROD FAM:	CM&R COMPRESSION
PROJECT #:	--
DOCUMENT TYPE:	Sales
REL LEVEL:	Released

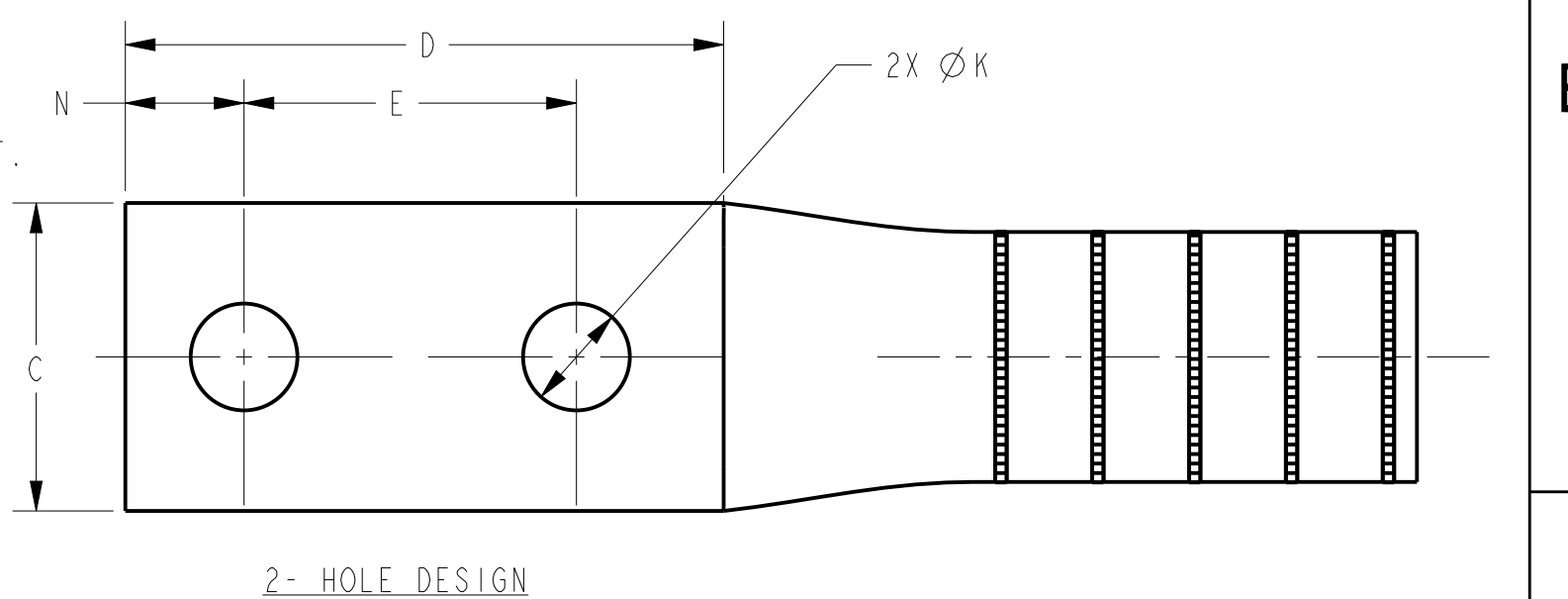
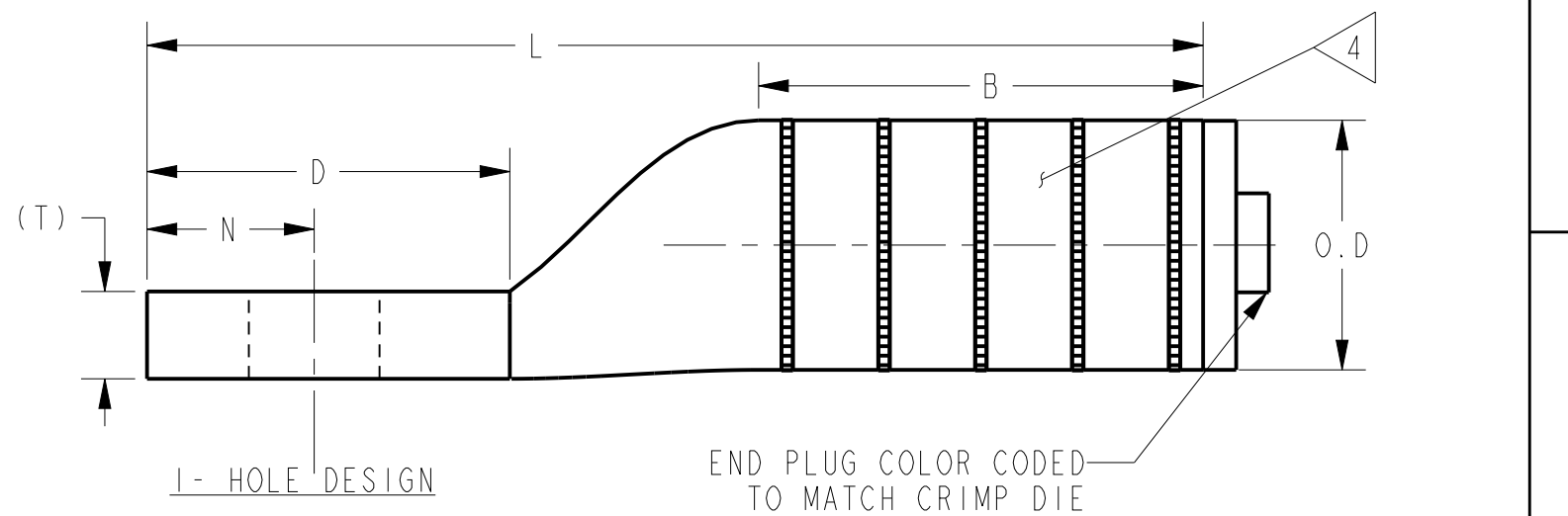
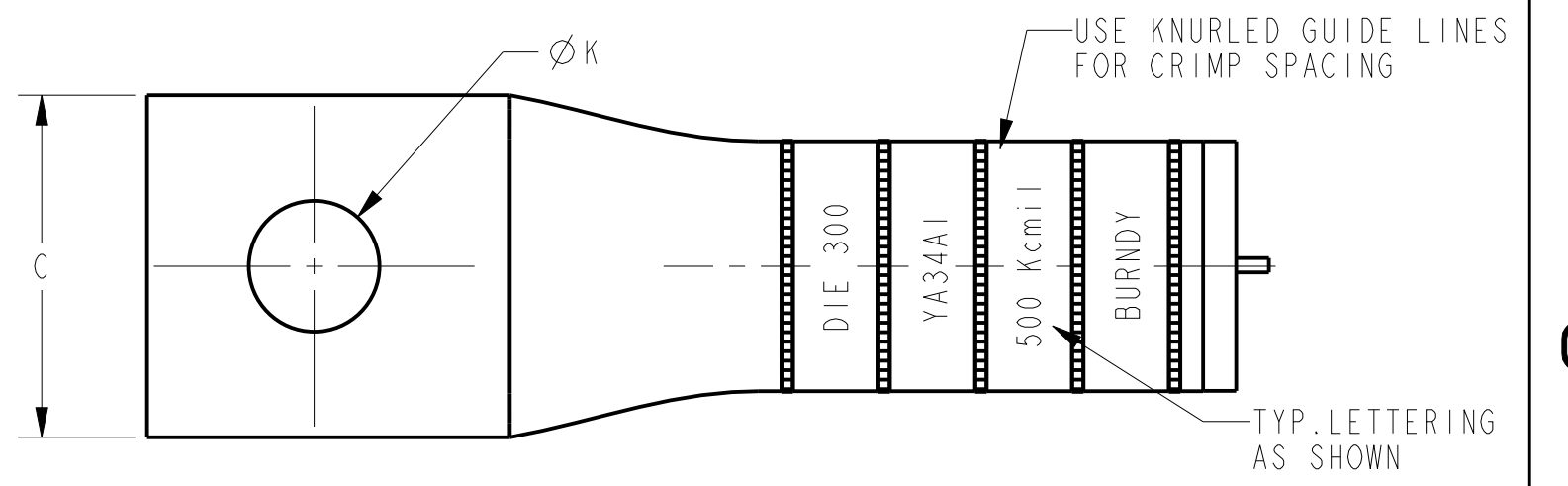


REV: PE0200

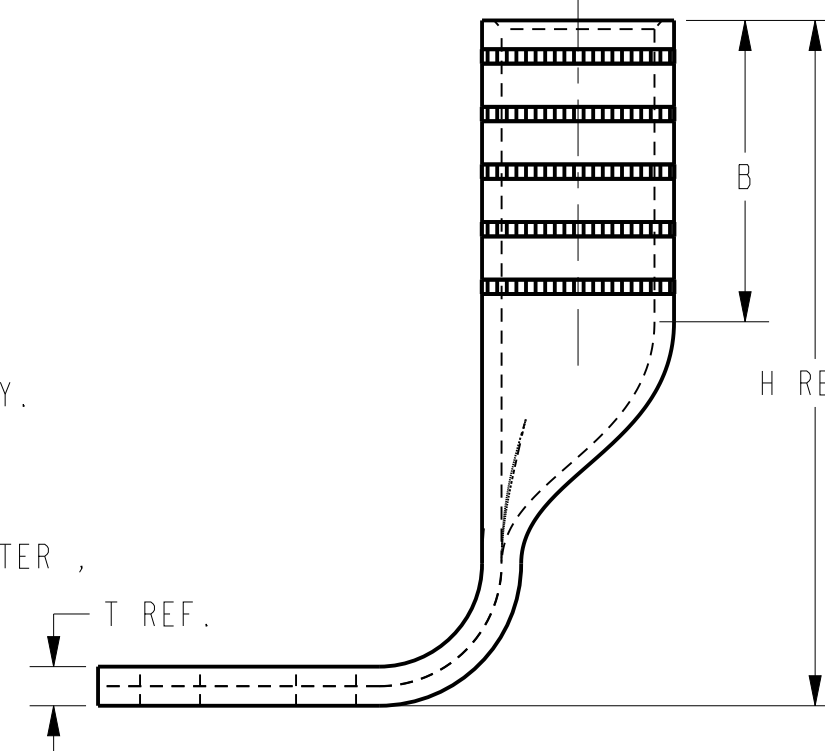
CATALOG NUMBER	CONDUCTOR SIZE		CONNECTOR DIMENSIONS-LINEAR MEASURE IN, [mm]											INFORMATION		
	ALUMINUM	COPPER	STUD SIZE	NO. OF HOLES	B	C	D	E	H	Ø K	L	N	O.D		(T)	PLATING
YA34A1	500 kcmil CLASS B CONCENTRIC COMPRESSED COMPACT SIW	500 kcmil CLASS B,C CONCENTRIC COMPRESSED COMPACT	5/8	1	2.34	1.80	1.91	--	--	.69	5.56	.88	1.32 [34]	.46	TIN	
YA34A2					[59]	[46]	[49]	--	--	[18]	[141]	[22]		[12]	NONE	
YA34A7			1/2	1	2.34	1.80	1.37	--	--	.56	5.02	.63		.46	TIN	
YA34A3			1/2	1	2.34	1.62	3.15	1.75	--	.56	6.80	.63		.46	TIN	
YA34A4			1/2	1	2.34	1.62	3.15	1.75	--	.56	6.80	.63		.46	NONE	
YA34A5			3/8	2	2.34	1.80	1.89	1.00	--	.44	5.54	.44		.46	TIN	
YA34A11			3/8	2	2.34	1.80	2.27	1.38	--	.44	5.92	.44		.46	TIN	
YA34A6			1/2	2	2.34	1.80	3.15	1.75	--	.56	6.80	.63		.46	NONE	
YA34A9			350 Kcmil CCA DLO (551/22)	350 Kcmil CCA DLO (551/22)	3/8	1	2.34	1.80	1.18	--	.44	4.83		.44	.46	TIN
YA34A390			350 Kcmil CCA DLO (551/22)	350 Kcmil CCA DLO (551/22)	1/2	2	2.34	1.62	3.15	1.75	4.59	.56		4.09	.63	.46
YA34A8	350 Kcmil CCA DLO (551/22)	350 Kcmil CCA DLO (551/22)	1/2	2	2.34	1.80	3.15	1.75	--	.56	6.77	.63	.46	TIN		
YA34A10	350 Kcmil CCA DLO (551/22)	350 Kcmil CCA DLO (551/22)	3/8	2	2.34	1.80	2.64	1.75	--	.44	6.29	.44	.46	NONE		

REV	DATE	DESCRIPTION	ECO	BY	C'H'K.
AU	2018-01-25 00:00:00 EST	UPDATED AS PER MARKUP	48409	YR	VS

COLOR CODE	BURNDY® INSTALLATION TOOLING (#CRIMPS)										DIELESS (#CRIMPS)	STRIP LENGTH		
	DIE INFORMATION		MECHANICAL		HYDRAULIC								MECHANICAL	HYDRAULIC
	DIE INDEX	TYPE	OUR840	MD6	Y34A Y34B	Y35, Y39 Y750 PAT750	Y46	Y45	Y48BH	Y60				
PINK	300	PINK DIE SET	--	--	--	U34ART (4)	U34ART (4)	U34ART (4)	C34AR (2)	L34ART (2)	--	Y81KFT (4) PAT81KFT (4) Y644 (1) PAT644 (1)	2 5/8"	
		NEST INDENTOR	--	--	--	--	P39D (1) P48PR-1	--	C39D(1) Y48PR-1	--	--			



- NOTES:
- ALL HYLUGS™ ACCOMMODATE U.S. STANDARD WASHERS
  - REMOVE ALL EXCESS PENETROX™ FROM CONNECTOR AND ADJACENT CONDUCTOR PRIOR TO TAPING.
  - UL LISTED AND CSA CERTIFIED WIRE CONNECTORS. RATED 90 C (AL9CU) FOR USE WITH COPPER OR ALUMINUM CONDUCTOR. APPROVAL APPLY TO TIN PLATED CONNECTORS ONLY.
  - CONNECTOR BARRELS PREFILLED WITH PENETROX™
  - DIMENSIONS IN BRACKETS [ ] ARE IN MILLIMETERS ROUNDED OFF TO THE NEAREST MILLIMETER, UNLESS OTHERWISE NOTED, AND ARE FOR REFERENCE ONLY.
  - NO-OX-ID "A" COATED TO PREVENT FORMATION OF OXIDATION
  - CAN BE MOUNTED SIDE BY SIDE ON 4 -HOLE NEMA PAD.
  - ADD SUFFIX "DT" TO ORDER LUGS WITH CRIMP BARREL SEALED AIR TIGHT INSIDE THE TRANSITION.
  - CATALOG #PT6515 ADAPTOR IS REQUIRED TO USE "U" DIES IN Y45 SERIES TOOLS.
  - CATALOG #PUADP-1 ADAPTOR IS REQUIRED TO USE "U" DIES IN Y46 SERIES TOOLS.
  - Y35P3 INDENTOR ADAPTOR REQUIRED FOR "Y34PR" TYPE INDENTORS.
  - FOR USE BY CUSTOMERS THAT HAVE THIS HYPRESS™. NO NEW HYPRESSES™ ARE BEING PROCESSED.
  - UL LISTED WITH DLO COPPER CLAD ALUMINUM CONDUCTOR USING Y644 TOOLS ONLY.
  - ADD SUFFIX "U" TO ORDER LUGS WITH UNDRILLED TONGUE.



UNINSULATED COMPRESSION TERMINAL MATERIAL: ALUMINUM TUBE

TO ORDER BURNDY® PRODUCTS CALL		HYLUG™	
UNITED STATES: 1-800-346-4175 (LONDONDERRY, NH)		ITEM NO: NA	CAT. NO: YA34A-(SEE TABLE)
CANADA: 1-800-361-6975 (QUEBEC) 1-800-387-6487 (ALL OTHER PROVINCES)		DRAWN BY: E.S.K 7/21/72	CHECKER: S.F.P 8/01/72
FOR PRODUCT INFO: <a href="http://www.burndy.com">http://www.burndy.com</a>		DSN APPVL: R.B 8/02/72	MFG APPVL: --
		QA APPVL: D.VARIO 6/18/95	MKT APPVL: P.WERTHMAN 6/18/95
		PROD FAM: CM&R COMPRESSION	DRAWING NO: SD073935
		PROJECT #: --	SCALE: 1:1
		DOCUMENT TYPE: Sales	REV: AU
		REL LEVEL: Released	SHEET 14 OF 24

CATALOG NUMBER	CONDUCTOR SIZE		CONNECTOR DIMENSIONS-LINEAR MEASURE IN, [mm]											INFORMATION	BARREL LETTERING INFORMATION
	ALUMINUM	COPPER	STUD SIZE	NO. OF HOLES	B	C	D	E	Ø K	L	N	O.D	(T)		
YA36A1			5/8	1	2.47 [63]	1.97 [50]	1.88 [48]	--	.69 [18]	5.82 [148]	.88 [22]		.52 [13]	TIN	FIG. 1
YA36A2			5/8	1	2.47 [63]	1.97 [50]	1.88 [48]	--	.69 [18]	5.82 [148]	.88 [22]		.52 [13]	NONE	FIG. 1
YA36A3	600 kcmil CLASS B CONCENTRIC COMPRESSED COMPACT SIW	600 kcmil CLASS B,C CONCENTRIC COMPRESSED COMPACT	1/2	2	2.47 [63]	1.62 [41]	3.15 [80]	1.75 [44]	.56 [14]	7.09 [180]	.63 [16]		.52 [13]	TIN	FIG. 2
YA36A4			1/2	2	2.47 [63]	1.31 [33]	3.15 [80]	1.75 [44]	.56 [14]	7.09 [180]	.63 [16]		.52 [13]	NONE	FIG. 1
YA36A3NT131			1/2	2	2.47 [63]	1.31 [33]	3.15 [80]	1.75 [44]	.56 [14]	7.09 [180]	.63 [16]		.52 [13]	TIN	FIG. 1
YA36A5			3/8	2	2.47 [63]	1.97 [50]	1.89 [48]	1.00 [25]	.44 [11]	5.64 [143]	.69 [18]		.52 [13]	TIN	FIG. 1
YA36A8			1/2	1	2.47 [63]	1.97 [50]	1.69 [43]	--	.56 [14]	5.64 [143]	.69 [18]		.52 [13]	TIN	FIG. 1
YA36A10	500 kcmil CCA DLO (779/22)	500 kcmil CCA DLO (779/22)	5/8	1	2.47 [63]	1.97 [50]	1.88 [48]	--	.65 [17]	5.82 [148]	.88 [22]		.52 [13]	TIN	FIG. 1
YA36A17			1/2	2	2.47 [63]	1.97 [50]	3.15 [80]	1.75 [44]	.56 [14]	7.06 [179]	.63 [16]		.52 [13]	TIN	FIG. 2

REV	DATE	DESCRIPTION	ECO	BY	C'H'K.
AU	2018-01-25 00:00:00 EST	UPDATED AS PER MARKUP	48409	YR	VS

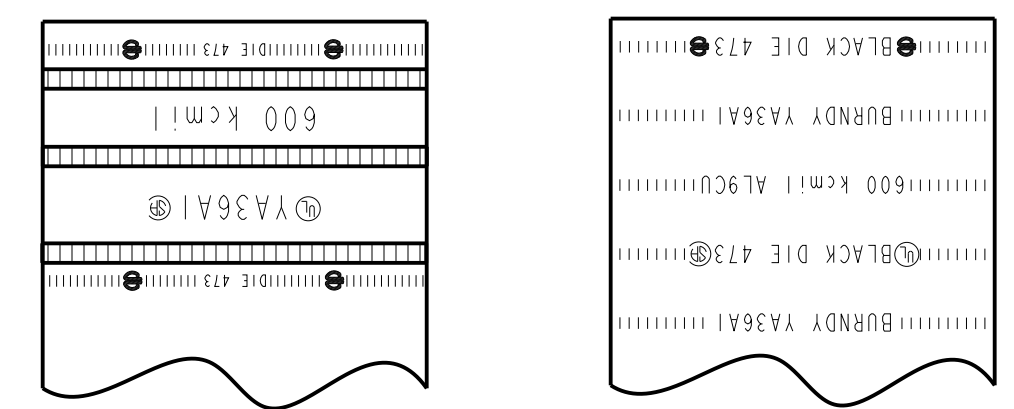
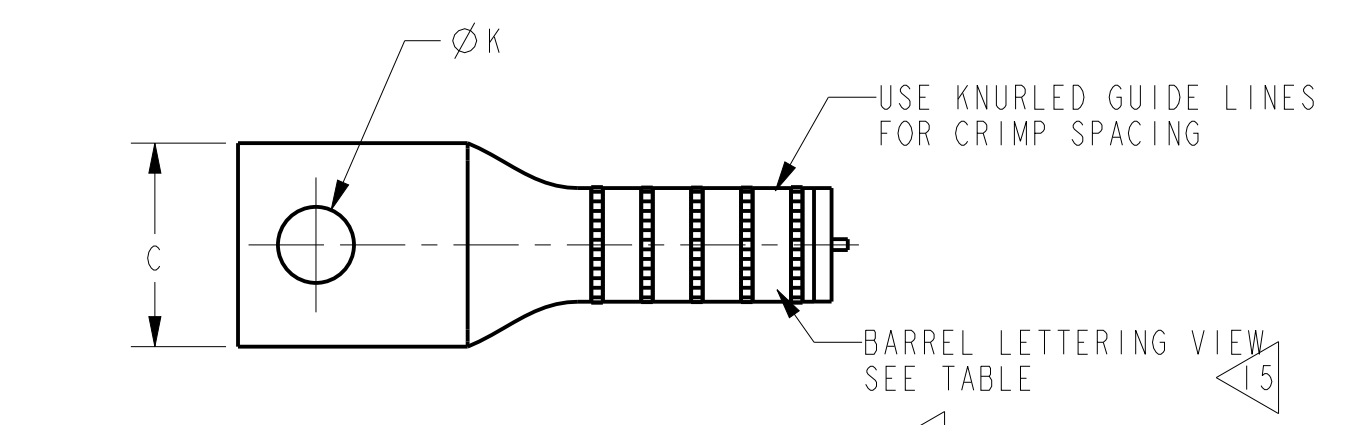


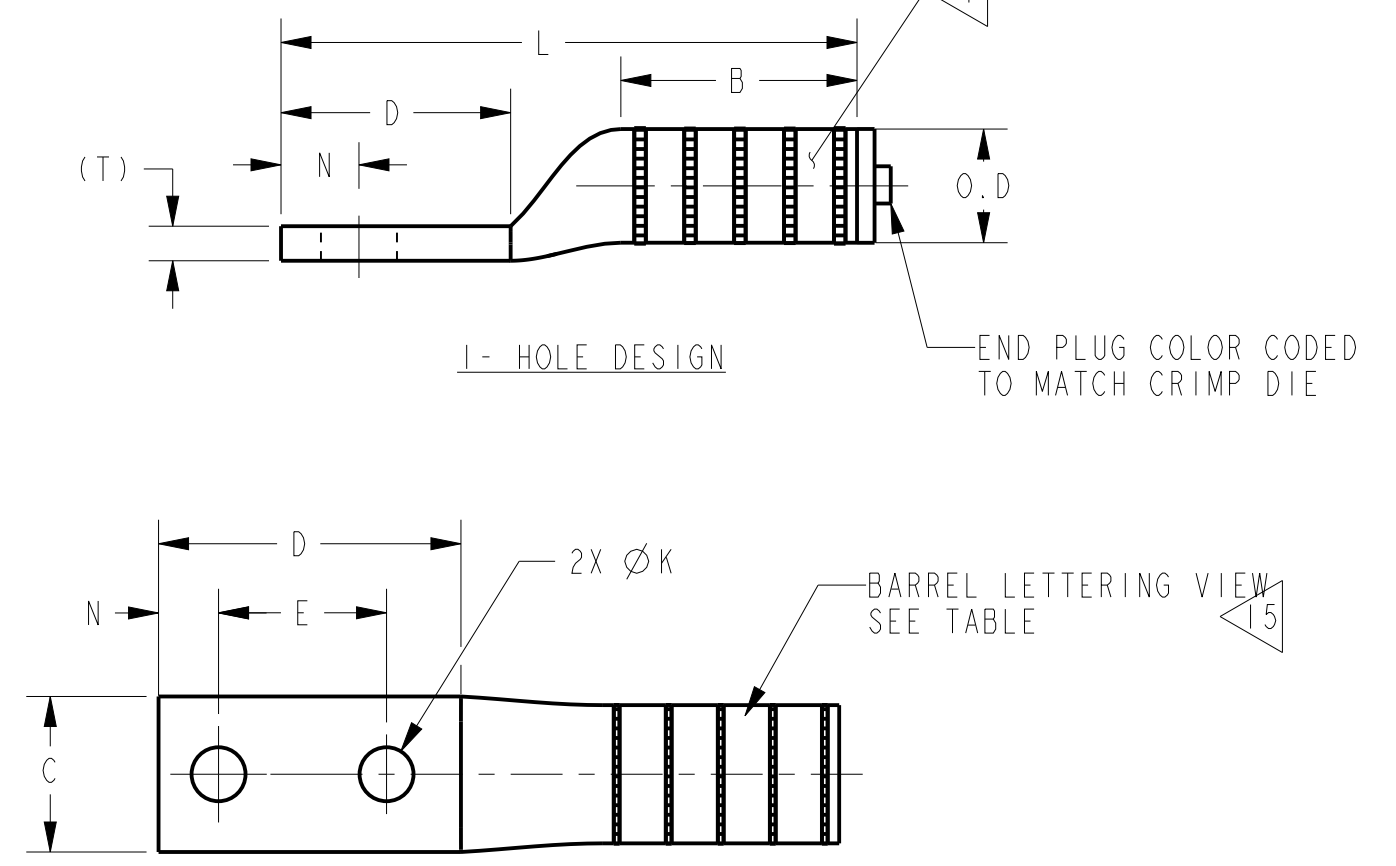
FIG. 1 FIG. 2

BARREL LETTERING VIEW

COLOR CODE	BURNDY® INSTALLATION TOOLING (#CRIMPS)										DIELESS (#CRIMPS)		STRIP LENGTH
	DIE INFORMATION		MECHANICAL		HYDRAULIC						MECHANICAL	HYDRAULIC	
	DIE INDEX	TYPE	OUR840	MD6	Y34A Y34B	Y35, Y39 Y750 PAT750	Y46	Y45	Y48BH	Y60			
BLACK	473	BLACK DIE SET	--	--	--	U36ART (4)	U36ART (4)	U36ART (4)	C36AR (2)	L36ART (2)	--	Y81KFT (4) PAT81KFT (4) Y644 (1) PAT644 (1)	2 7/8"
		NEST INDENTOR	--	--	--	--	P44D(2) P48PR-1	--	C44D(2) Y48PR-1	--	--		



1- HOLE DESIGN



2- HOLE DESIGN

UNINSULATED COMPRESSION TERMINAL MATERIAL: ALUMINUM TUBE

NOTES:

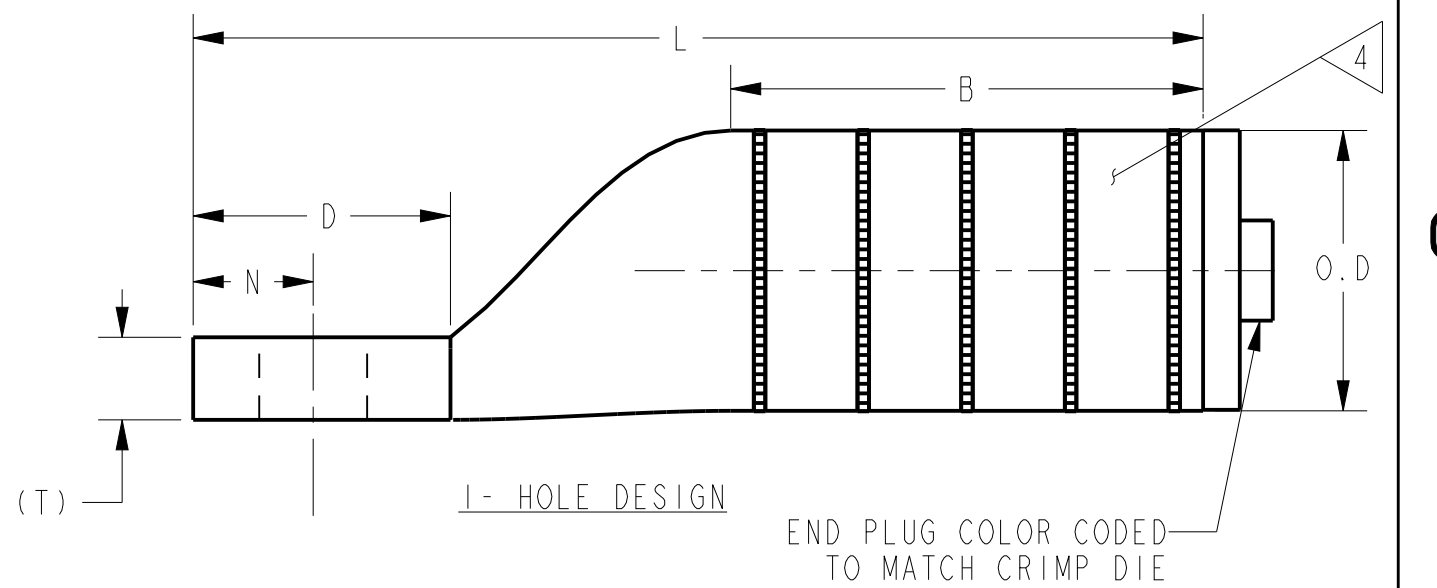
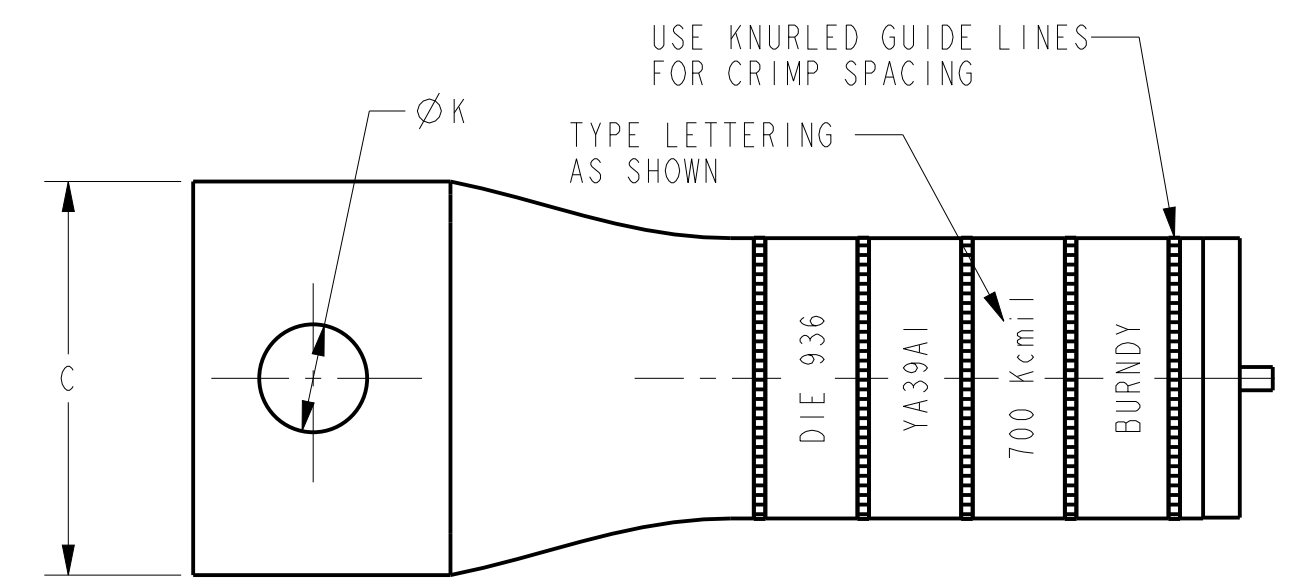
- ALL HYLUGS™ ACCOMMODATE U.S. STANDARD WASHERS
- REMOVE ALL EXCESS PENETROX™ FROM CONNECTOR AND ADJACENT CONDUCTOR PRIOR TO TAPING.
- UL LISTED AND CSA CERTIFIED WIRE CONNECTORS. RATED 90 C (AL9CU) FOR USE WITH COPPER OR ALUMINUM CONDUCTOR. APPROVAL APPLY TO TIN PLATED CONNECTORS ONLY.
- CONNECTOR BARRELS PREFILLED WITH PENETROX™
- DIMENSIONS IN BRACKETS [ ] ARE IN MILLIMETERS ROUNDED OFF TO THE NEAREST MILLIMETER, UNLESS OTHERWISE NOTED, AND ARE FOR REFERENCE ONLY.
- CAN BE MOUNTED SIDE BY SIDE ON FOUR HOLE NEMA PAD
- THE YA39A12 IS NOT UL LISTED OR CSA CERTIFIED
- ADD SUFFIX "DT" TO ORDER LUGS WITH CRIMP BARREL SEALED AIR TIGHT INSIDE THE TRANSITION.
- CATALOG #PT6515 ADAPTOR IS REQUIRED TO USE "U" DIES IN Y45 SERIES TOOLS.
- CATALOG #PUADP-1 ADAPTOR IS REQUIRED TO USE "U" DIES IN Y46 SERIES TOOLS.
- Y35P3 INDENTOR ADAPTOR REQUIRED FOR "Y34PR" TYPE INDENTORS.
- FOR USE BY CUSTOMERS THAT HAVE THIS HYPRESS™. NO NEW HYPRESSES™ ARE BEING PROCESSED.
- UL LISTED WITH DLO COPPER CLAD ALUMINUM CONDUCTOR USING Y644 TOOLS ONLY.
- ADD SUFFIX "U" TO ORDER LUGS WITH UNDRILLED TONGUE.
- ENLARGED BARREL MARKING VIEW.

TO ORDER BURNDY® PRODUCTS CALL		HYLUG™	
UNITED STATES: 1-800-346-4175 (LONDONDERRY, NH)		ITEM NO: NA	CAT. NO: YA36A-(SEE TABLE)
CANADA: 1-800-361-6975 (QUEBEC) 1-800-387-6487 (ALL OTHER PROVINCES)		DRAWN BY: E.S.K 7/21/72	CHECKER: S.F.P 8/01/72
FOR PRODUCT INFO: <a href="http://www.burndy.com">http://www.burndy.com</a>		DSN APPVL: R.B 8/02/72	MFG APPVL: --
		QA APPVL: D.VARIO 6/18/95	MKT APPVL: P.WERTHMAN 6/18/95
		PROD FAM: CM&R COMPRESSION	DRAWING NO
		PROJECT #: --	SCALE: 1:1
		DOCUMENT TYPE: Sales	REV
		REL LEVEL: Released	SD073935
			SHEET 15 OF 24

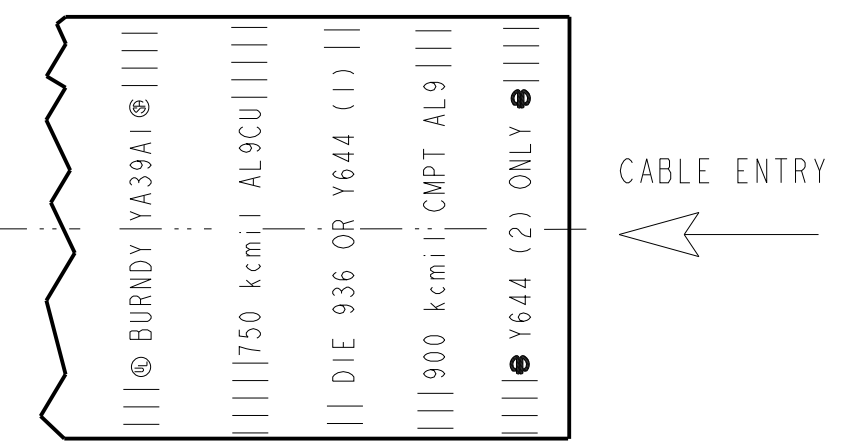
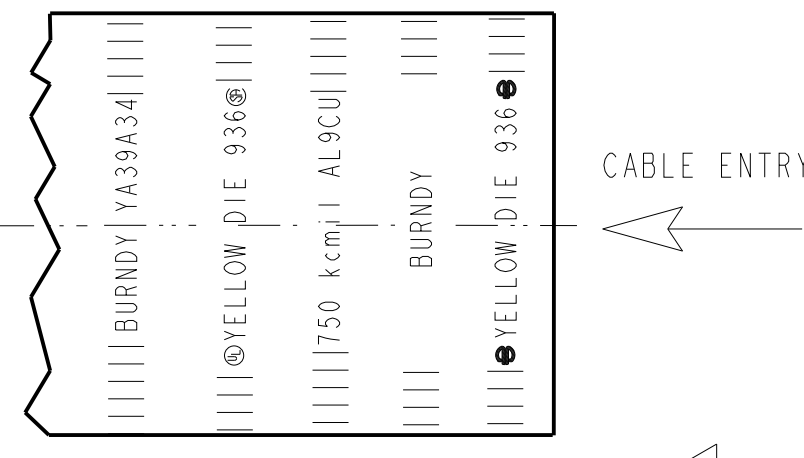
REV: PE0200

CATALOG NUMBER	CONDUCTOR SIZE		CONNECTOR DIMENSIONS-LINEAR MEASURE IN, [mm]											INFORMATION		
	ALUMINUM	COPPER	STUD SIZE	NO. OF HOLES	B	C	D	E	Ø K	L	N	O.D	(T)		PLATING	
YA39A1	700 -750 kcmil CLASS B CONCENTRIC COMPRESSED COMPACT SIW	700 -750 kcmil CLASS B,C CONCENTRIC COMPRESSED COMPACT	1/2	1	2.46	2.05	1.34	--	.56	5.26	.63	1.46	.43	TIN		
YA39A2					[62]	[52]	[34]	[14]	[134]	[16]	[11]		NONE			
YA39A3			5/8	1	2.46	2.05	1.88	--	.69	5.80	.88	1.46	.43	TIN		
YA39A4					[62]	[52]	[48]	[18]	[147]	[22]	[11]		NONE			
YA39A5			900 kcmil CLASS B COMPACT ONLY	700 -750 kcmil CLASS B,C CONCENTRIC COMPRESSED COMPACT	1/2	2	2.46	1.62	3.15	1.75	.56	7.07	.63	1.46	.43	TIN
YA39A6							[62]	[41]	[80]	[44]	[14]	[180]	[16]		[11]	NONE
YA39A7					3/8	2	2.46	2.05	1.89	1.00	.44	5.81	.44	1.46	.43	TIN
YA39A12			600 Kcmil CCA DLO (925/22)		1/2	2	2.46	1.62	6.33	1.75	.56	10.25	.63	1.46	.43	TIN
YA39A13							[62]	[41]	[161]	[44]	[14]	[260]	[16]		[37]	[11]
YA39A34					3/4	1	2.46	2.05	2.19	--	.81	6.17	1.00	1.46	.43	TIN

REV	DATE	DESCRIPTION	ECO	BY	C'H'K.
AU	2018-01-25 00:00:00 EST	UPDATED AS PER MARKUP	48409	YR	VS



COLOR CODE	BURNDY INSTALLATION TOOLING (#CRIMPS)										DIELESS (#CRIMPS)	STRIP LENGTH		
	DIE INFORMATION		MECHANICAL		HYDRAULIC								MECHANICAL	HYDRAULIC
	DIE INDEX	TYPE	OUR840	MD6	Y34A Y34B	Y35, Y39 PAT750	Y46	Y45	Y48BH	Y60				
YELLOW	936	YELLOW DIE SET	--	--	--	U39ART-2 (4)	U39ART-2 (4)	U39ART-2 (4)	--	L39ART-2 (2)	--	Y81KFT (4) PAT81KFT (4) Y644 (1) PAT644 (1)	2 7/8"	
		NEST INDENTOR	--	--	--	--	--	--	--	--	--			



- NOTES:
- ALL HYLUGS™ ACCOMMODATE U.S. STANDARD WASHERS
  - REMOVE ALL EXCESS PENETROX™ FROM CONNECTOR AND ADJACENT CONDUCTOR PRIOR TO TAPING.
  - UL LISTED AND CSA CERTIFIED WIRE CONNECTORS. RATED 90 C (AL9CU) FOR USE WITH COPPER OR ALUMINUM CONDUCTOR. APPROVAL APPLY TO TIN PLATED CONNECTORS ONLY.
  - CONNECTOR BARRELS PREFILLED WITH PENETROX™
  - DIMENSIONS IN BRACKETS [ ] ARE IN MILLIMETERS ROUNDED OFF TO THE NEAREST MILLIMETER, UNLESS OTHERWISE NOTED, AND ARE FOR REFERENCE ONLY.
  - CAN BE MOUNTED SIDE BY SIDE ON FOUR HOLE NEMA PAD
  - THE YA39A12 IS NOT UL LISTED OR CSA CERTIFIED
  - ADD SUFFIX "DT" TO ORDER LUGS WITH CRIMP BARREL SEALED AIR TIGHT INSIDE THE TRANSITION.
  - CATALOG #PT6515 ADAPTOR IS REQUIRED TO USE "U" DIES IN Y45 SERIES TOOLS.
  - CATALOG #PUADP-1 ADAPTOR IS REQUIRED TO USE "U" DIES IN Y46 SERIES TOOLS.
  - Y35P3 INDENTOR ADAPTOR REQUIRED FOR "Y34PR" TYPE INDENTORS.

- FOR USE BY CUSTOMERS THAT HAVE THIS HYPRESS™. NO NEW HYPRESSES™ ARE BEING PROCESSED.
- USE Y644M OR PAT644-18V DIELESS HYPRESS™ ONLY WHEN INSTALLING 900 kcmil COMPACT ALUMINUM. USE 2 CRIMPS WITH 900 COMPACT AL.
- UL LISTED WITH DLO COPPER CLAD ALUMINUM CONDUCTOR USING Y644 TOOLS ONLY.
- SEE DEVELOPED LETTERING VIEW FOR THESE CATALOGS.
- SEE DEVELOPED LETTERING VIEW FOR YA39A34.
- ADD SUFFIX "U" TO ORDER LUGS WITH UNDRILLED TONGUE.

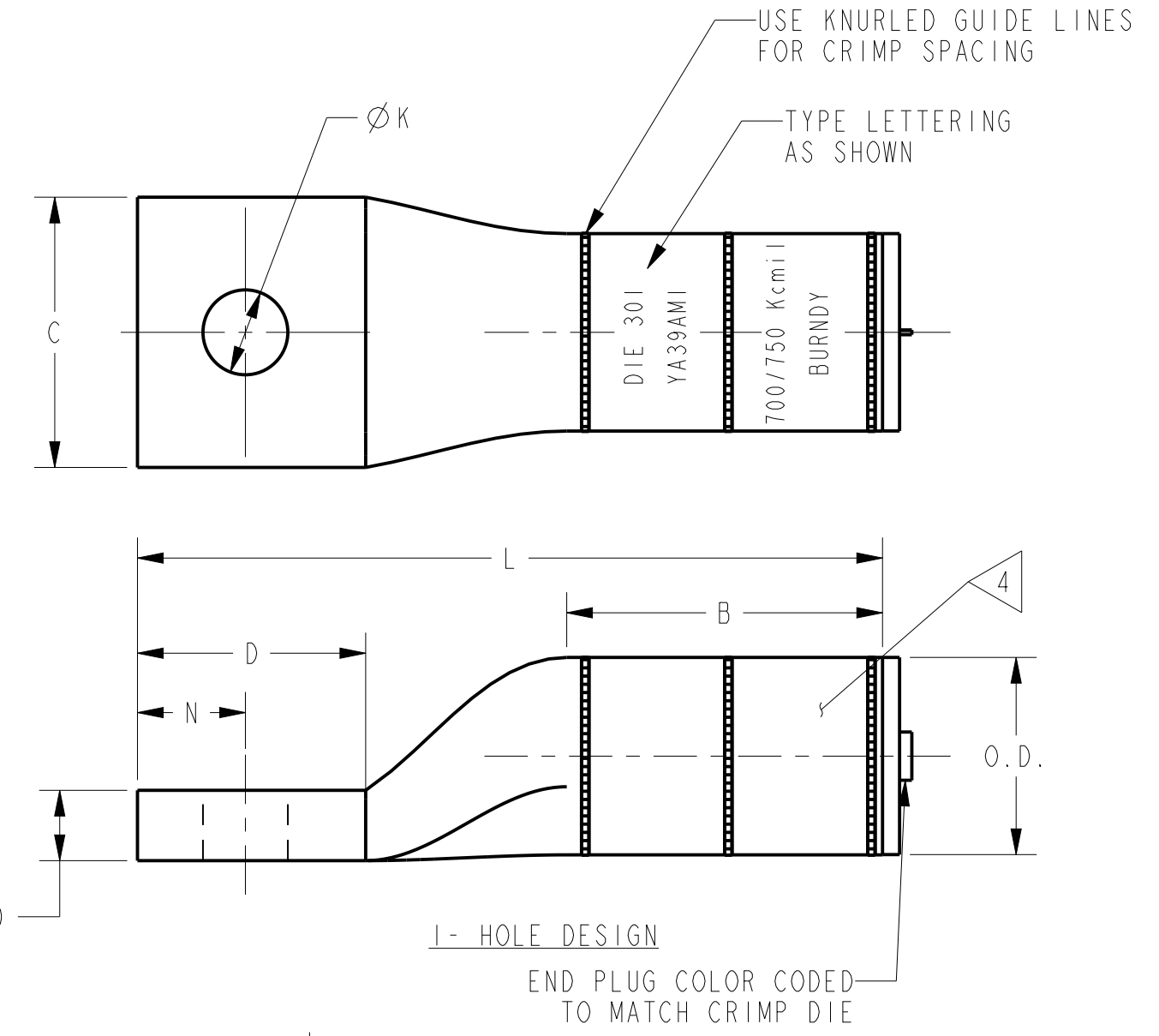
TO ORDER BURNDY® PRODUCTS CALL UNITED STATES: 1-800-346-4175 (LONDONDERRY, NH) CANADA: 1-800-361-6975 (QUEBEC) 1-800-387-6487 (ALL OTHER PROVINCES) FOR PRODUCT INFO: <a href="http://www.burndy.com">http://www.burndy.com</a>	HYLUG™	
	ITEM NO: NA	CAT. NO: YA39A-(SEE TABLE)
	DRAWN BY: E.S.K 7/21/72	CHECKER: S.F.P 8/01/72
	DSN APPVL: R.B 8/02/72	MFG APPVL: --
	QA APPVL: D.VARIO 6/18/95	MKT APPVL: P.WERTHMAN 6/18/95
	PROD FAM: CM&R COMPRESSION	DRAWING NO
	PROJECT #: --	SIZE
	DOCUMENT TYPE: Sales	C
	REL LEVEL: Released	C
	SCALE: 2:1 SHEET 16 OF 24	

UNINSULATED COMPRESSION TERMINAL MATERIAL: ALUMINUM TUBE

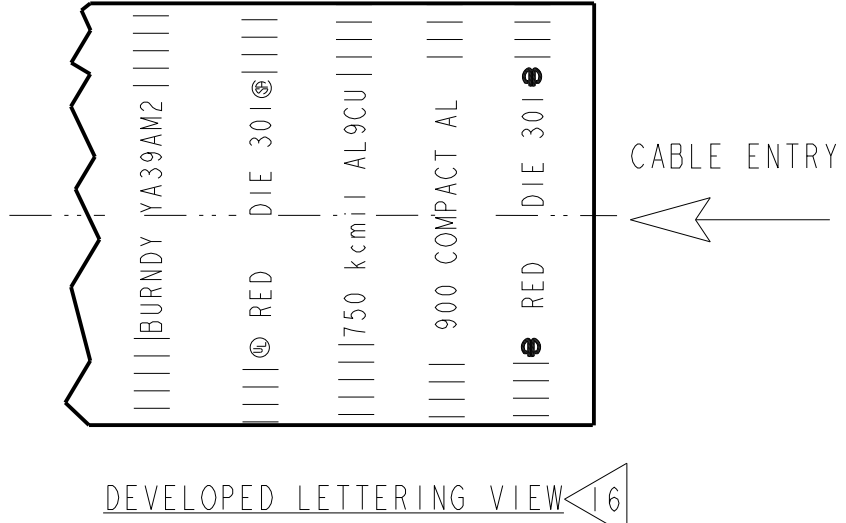
REV: PE0200

CATALOG NUMBER	CONDUCTOR SIZE		CONNECTOR DIMENSIONS-LINEAR MEASURE IN, [mm]											INFORMATION
	ALUMINUM	COPPER	STUD SIZE	NO. OF HOLES	B	C	D	E	Ø K	L	N	O.D	(T)	
YA39AM1	700 -750 kcmil CLASS B CONCENTRIC COMPRESSED COMPACT SIW	700 -750 kcmil CLASS B,C CONCENTRIC COMPRESSED COMPACT	5/8	1	2.56 [65]	2.19 [56]	1.85 [47]	--	.69 [18]	6.04 [153]	.88 [22]	1.60 [41]	.57 [14]	TIN
YA39AM2	900 kcmil CLASS B COMPACT ONLY		1/2	2	2.56 [65]	1.69 [43]	3.12 [79]	1.75 [44]	.56 [14]	7.31 [186]	.63 [16]	1.60 [41]	.57 [14]	TIN
YA39AM3	900 kcmil CLASS B COMPACT ONLY		1/2	2	2.56 [65]	1.69 [43]	3.88 [99]	1.75 [44]	.56 [14]	8.07 [205]	.63 [16]	1.60 [41]	.57 [14]	TIN

REV	DATE	DESCRIPTION	ECO	BY	C'HK.
AU	2018-01-25 00:00:00 EST	UPDATED AS PER MARKUP	48409	YR	VS



COLOR CODE	BURNDY® INSTALLATION TOOLING (#CRIMPS)										DIELESS (#CRIMPS)	STRIP LENGTH
	DIE INFORMATION		MECHANICAL		HYDRAULIC							
DIE INDEX	TYPE	OUR840	MD6	Y34A Y34B	Y35, Y39 Y750 PAT750	Y46	Y45	Y48BH	Y60			
RED	RED DIESET	--	--	--	--	P39ART (4)	S39ART (4)	C39AR (4)	L39ART (4)	--	Y81KFT (4) PAT81KFT (4) Y644 (1) PAT644 (1)	2 7/8"
	NEST INDENTOR	--	--	--	--	P45D(2) P48PR-1	--	C45D(2) Y48PR-1	--	--		



- NOTES:
- ALL HYLUGS™ ACCOMMODATE U.S. STANDARD WASHERS
  - REMOVE ALL EXCESS PENETROX™ FROM CONNECTOR AND ADJACENT CONDUCTOR PRIOR TO TAPING.
  - UL LISTED AND CSA CERTIFIED WIRE CONNECTORS. RATED 90 C (AL9CU) FOR USE WITH COPPER OR ALUMINUM CONDUCTOR. APPROVAL APPLY TO TIN PLATED CONNECTORS ONLY.
  - CONNECTOR BARRELS PREFILLED WITH PENETROX™
  - DIMENSIONS IN BRACKETS [ ] ARE IN MILLIMETERS ROUNDED OFF TO THE NEAREST MILLIMETER, UNLESS OTHERWISE NOTED, AND ARE FOR REFERENCE ONLY.
  - CAN BE MOUNTED SIDE BY SIDE ON FOUR HOLE NEMA PAD
  - USE ONLY WHEN CUSTOMER REQUIRES 1.600 O.D VARIATION FOR COMPATABILITY WITH OLD INSTALATION TOOLING, FOR ALL OTHER APPLICATION USE C39-1 TUBING (1.460 O.D)
  - THE YA39A12 IS NOT UL LISTED OR CSA CERTIFIED
  - ADD SUFFIX "DT" TO ORDER LUGS WITH CRIMP BARREL SEALED AIR TIGHT INSIDE THE TRANSITION.
  - CATALOG #PT6515 ADAPTOR IS REQUIRED TO USE "U" DIES IN Y45 SERIES TOOLS.

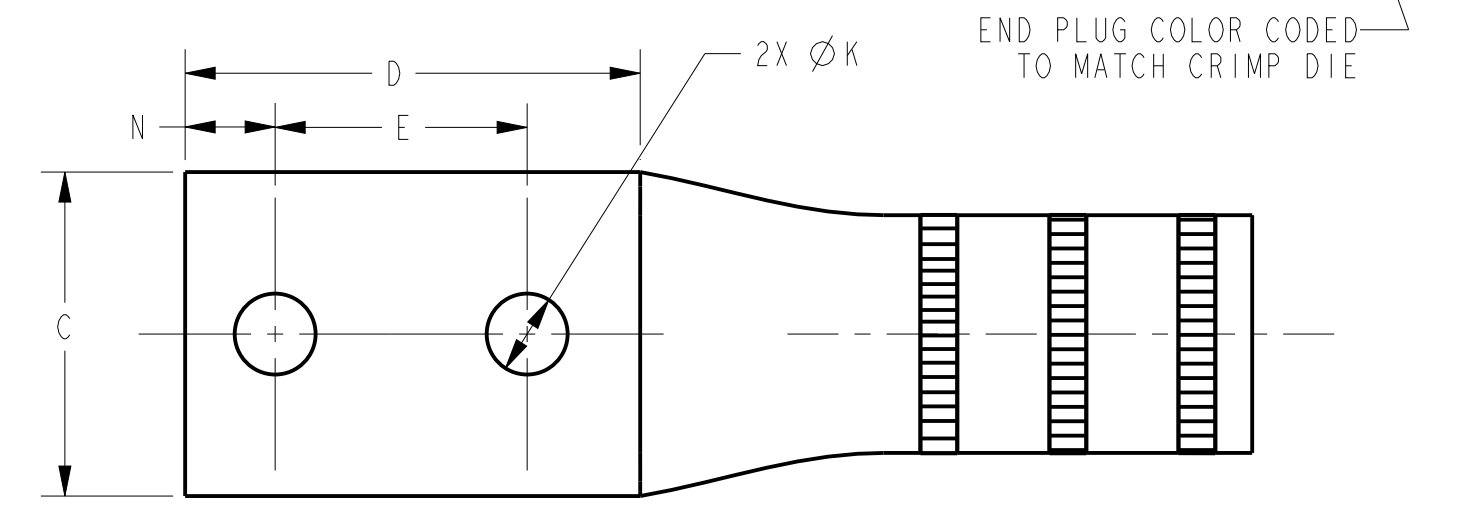
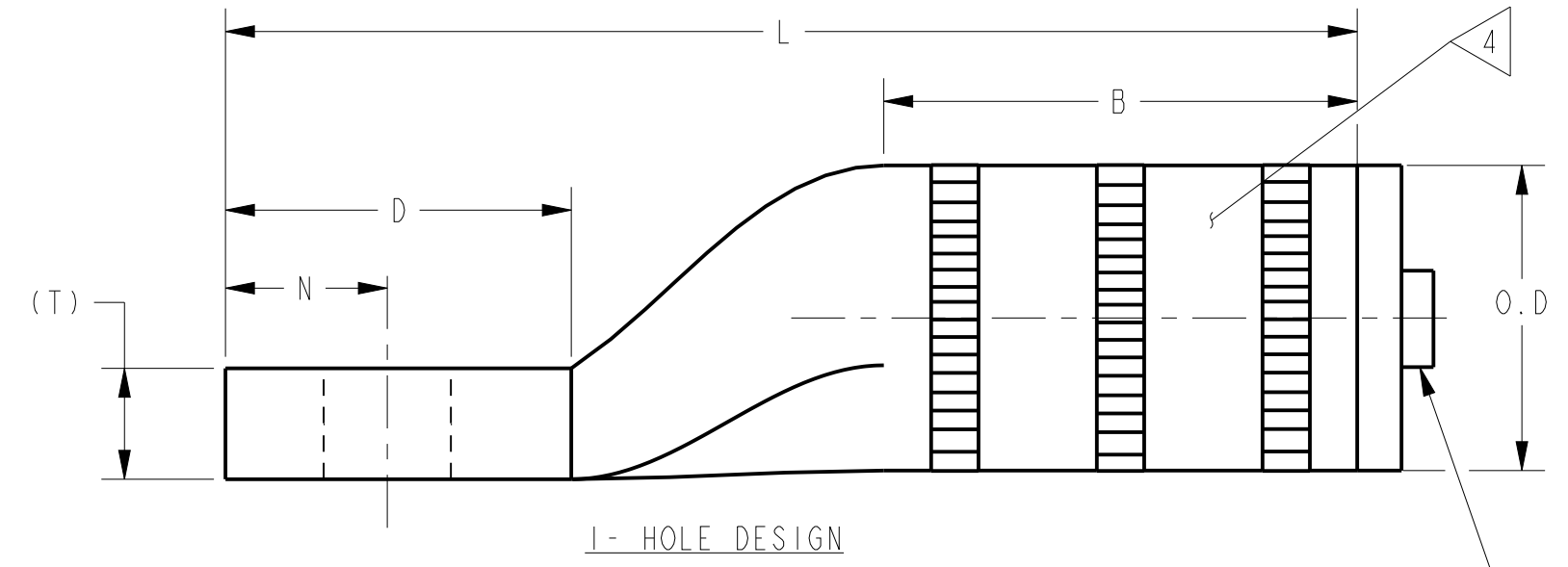
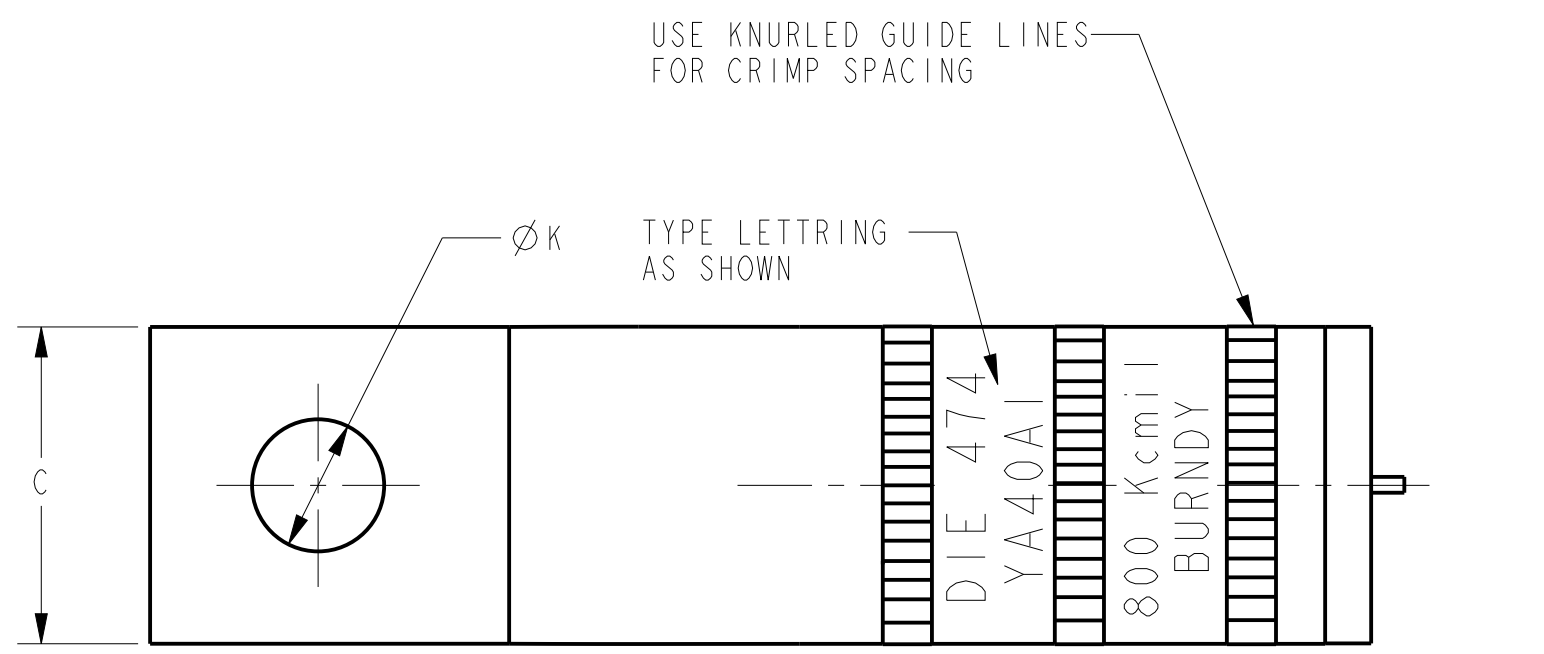
- CATALOG #PUADP-1 ADAPTOR IS REQUIRED TO USE "U" DIES IN Y46 SERIES TOOLS.
- Y35P3 INDENTOR ADAPTOR REQUIRED FOR "Y34PR" TYPE INDENTORS.
- FOR USE BY CUSTOMERS THAT HAVE THIS HYPRESS™. NO NEW HYPRESSES™ ARE BEING PROCESSED.
- USE Y644M OR PAT644-18V DIELESS HYPRESS™ ONLY WHEN INSTALLING 900 kcmil COMPACT ALUMINUM. NOT UL CSA LISTED WITH 900 Kcmil COMPACT ALUMINUM USING ANY TOOL.
- ADD SUFFIX "U" TO ORDER LUGS WITH UNDRILLED TONGUE.
- SEE DEVELOPED LETTERING VIEW FOR CATALOGUE YA39AM2

TO ORDER BURNDY® PRODUCTS CALL		HYLUG™	
UNITED STATES: 1-800-346-4175 (LONDONDERRY, NH)		ITEM NO: NA	CAT. NO: YA39A-(SEE TABLE)
CANADA: 1-800-361-6975 (QUEBEC) 1-800-387-6487 (ALL OTHER PROVINCES)		DRAWN BY: E.S.K 7/21/72	CHECKER: S.F.P 8/01/72
FOR PRODUCT INFO: <a href="http://www.burndy.com">http://www.burndy.com</a>		DSN APPVL: R.B 8/02/72	MFG APPVL: --
		QA APPVL: D.VARIO 6/18/95	MKT APPVL: P.WERTHMAN 6/18/95
		PROD FAM: CM&R COMPRESSION	DRAWING NO: SD073935
		PROJECT #: --	SCALE: 1:1
		DOCUMENT TYPE: Sales	REV: AU
		REL LEVEL: Released	SHEET 17 OF 24

CATALOG NUMBER	CONDUCTOR SIZE		CONNECTOR DIMENSIONS-LINEAR MEASURE IN, [mm]												INFORMATION
	ALUMINUM	COPPER	STUD SIZE	NO. OF HOLES	B	C	D	E	F	$\phi$ K	L	N	O.D	(T)	PLATING
YA40A1	800 kcmil CLASS B	800 kcmil CLASS B,C	5/8	1	2.56 [65]	1.65 [42]	1.87 [47]	--	--	.69 [18]	6.12 [155]	.88 [22]	1.65 [42]	.60 [15]	TIN
YA40A2	CONCENTRIC COMPRESSED	CONCENTRIC COMPRESSED			2.25 [57]	2.25 [57]	3.16 [80]	1.75 [44]	--	.56 [14]	7.41 [188]	.63 [16]		.60 [15]	NONE
YA40A3	COMPACT	COMPACT	1/2	2	2.56 [65]	2.25 [57]	3.16 [80]	1.75 [44]	--	.56 [14]	7.41 [188]	.63 [16]	1.65 [42]	.60 [15]	TIN
YA40A4	SIW	COMPACT			2.25 [57]	2.25 [57]	3.16 [80]	1.75 [44]	--	.56 [14]	7.41 [188]	.63 [16]		.60 [15]	NONE

REV	DATE	DESCRIPTION	ECO	BY	C'H'K.
AU	2018-01-25 00:00:00 EST	UPDATED AS PER MARKUP	48409	YR	VS

COLOR CODE	BURNDY® INSTALLATION TOOLING (#CRIMPS)										DIELESS (#CRIMPS)		STRIP LENGTH
	DIE INFORMATION		MECHANICAL		HYDRAULIC						MECHANICAL	HYDRAULIC	
	DIE INDEX	TYPE	OUR840	MD6	Y34A Y34B	Y35, Y39 Y750 PAT750	Y46	Y45	Y48BH	Y60			
GRAY	474	GRAY DIE SET	--	--	--	--	P40ART (4)	S40ART (4)	C40AR (2)	L40ART (2)	--	Y644MBH (1) ONLY	3"
		NEST INDENTOR	--	--	--	--	P45D(4) P48PR-1	--	C45D(2) Y48PR-1	--	--		



2- HOLE DESIGN

UNINSULATED COMPRESSION TERMINAL MATERIAL: ALUMINUM TUBE

- NOTES:
- ALL HYLUGS™ ACCOMMODATE U.S. STANDARD WASHERS
  - REMOVE ALL EXCESS PENETROX™ FROM CONNECTOR AND ADJACENT CONDUCTOR PRIOR TO TAPING.
  - UL LISTED AND CSA CERTIFIED WIRE CONNECTORS. RATED 90 C (AL9CU) FOR USE WITH COPPER OR ALUMINUM CONDUCTOR. APPROVAL APPLY TO TIN PLATED CONNECTORS ONLY.
  - CONNECTOR BARRELS PREFILLED WITH PENETROX™
  - DIMENSIONS IN BRACKETS [ ] ARE IN MILLIMETERS ROUNDED OFF TO THE NEAREST MILLIMETER, UNLESS OTHERWISE NOTED, AND ARE FOR REFERENCE ONLY.
  - ADD SUFFIX "DT" TO ORDER LUGS WITH CRIMP BARREL SEALED AIR TIGHT INSIDE THE TRANSITION.
  - CATALOG #PT6515 ADAPTOR IS REQUIRED TO USE "U" DIES IN Y45 SERIES TOOLS.
  - CATALOG #PUADP-1 ADAPTOR IS REQUIRED TO USE "U" DIES IN Y46 SERIES TOOLS.
  - Y35P3 INDENTOR ADAPTOR REQUIRED FOR "Y34PR" TYPE INDENTORS.
  - FOR USE BY CUSTOMERS THAT HAVE THIS HYPRESS™. NO NEW HYPRESSES™ ARE BEING PROCESSED.
  - ADD SUFFIX "U" TO ORDER LUGS WITH UNDRILLED TONGUE.

TO ORDER BURNDY® PRODUCTS CALL  
 UNITED STATES:  
 1-800-346-4175 (LONDONDERRY, NH)  
 CANADA:  
 1-800-361-6975 (QUEBEC)  
 1-800-387-6487 (ALL OTHER PROVINCES)  
 FOR PRODUCT INFO: <http://www.burndy.com>

HYLUG™	
ITEM NO:	NA
CAT. NO:	YA40A-&YA44A-(SEE TABLE)
DRAWN BY:	E.S.K 7/21/72
CHECKER:	S.F.P 8/01/72
DSN APPVL:	R.B 8/02/72
MFG APPVL:	--
QA APPVL:	D.VARIO 6/18/95
MKT APPVL:	P.WERTHMAN 6/18/95
PROD FAM:	CM&R COMPRESSION
PROJECT #:	--
DOCUMENT TYPE:	Sales
REL LEVEL:	Released

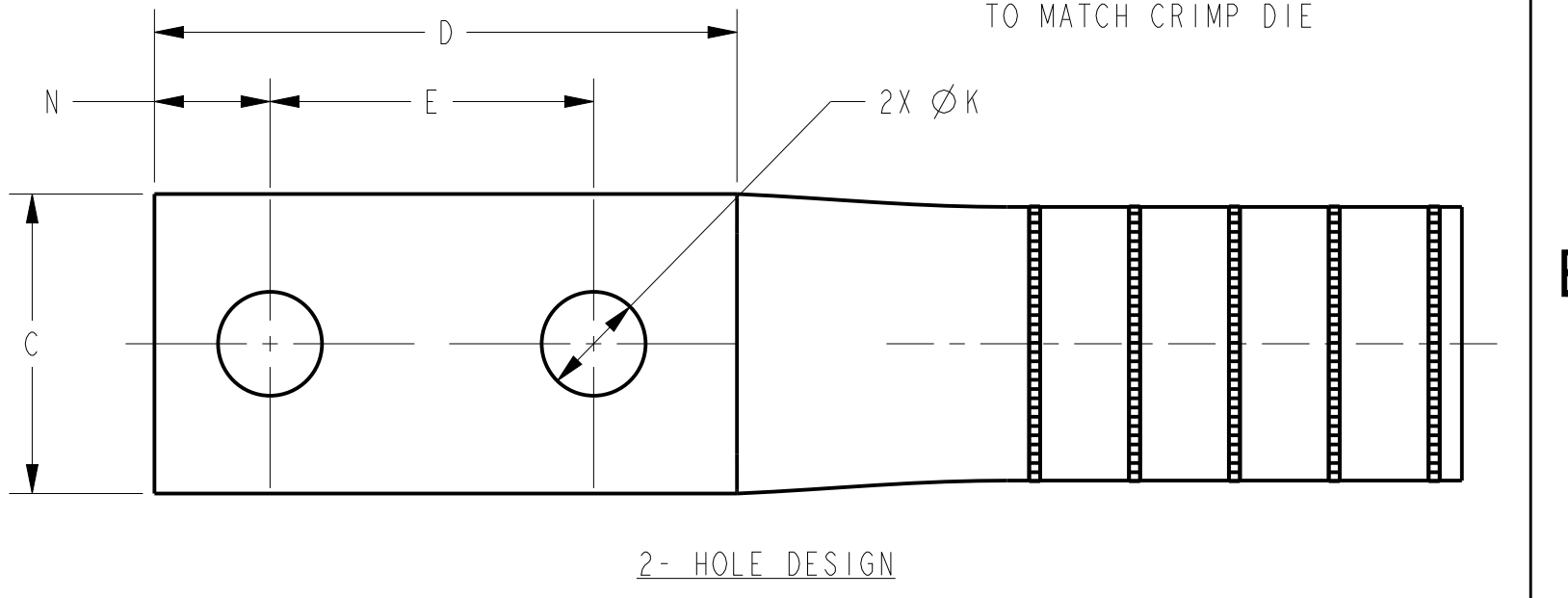
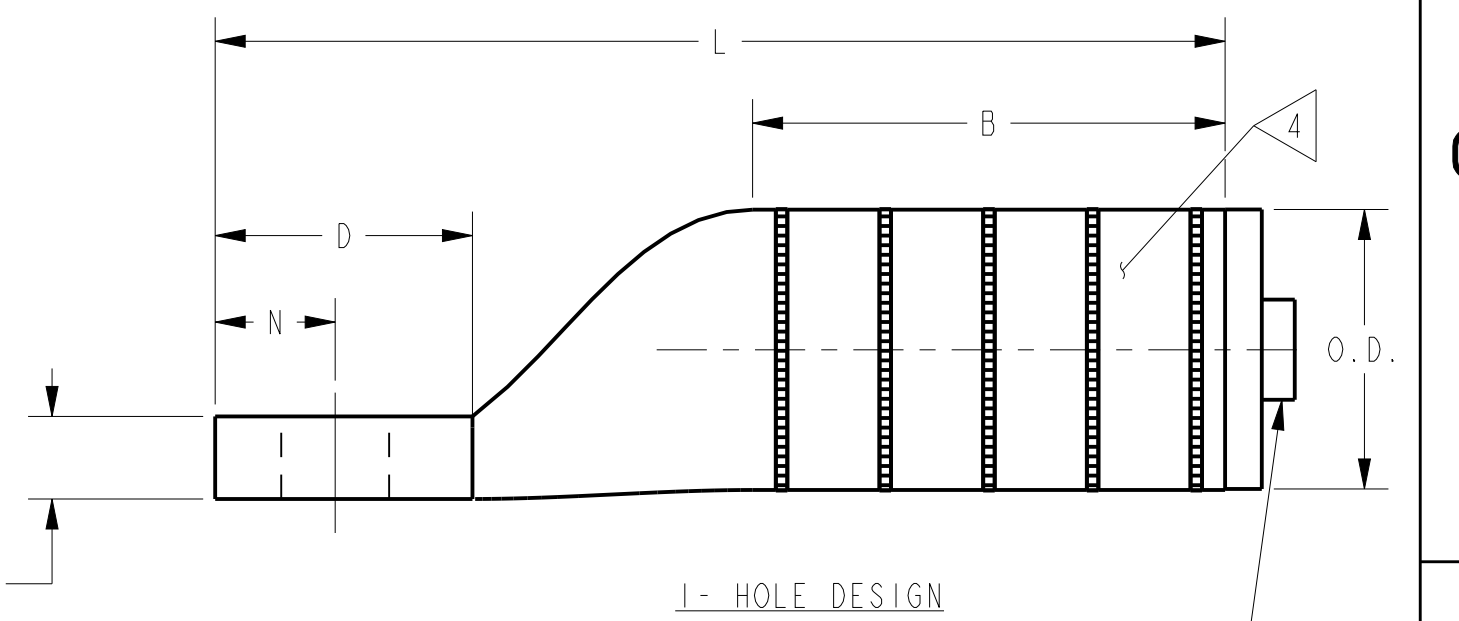
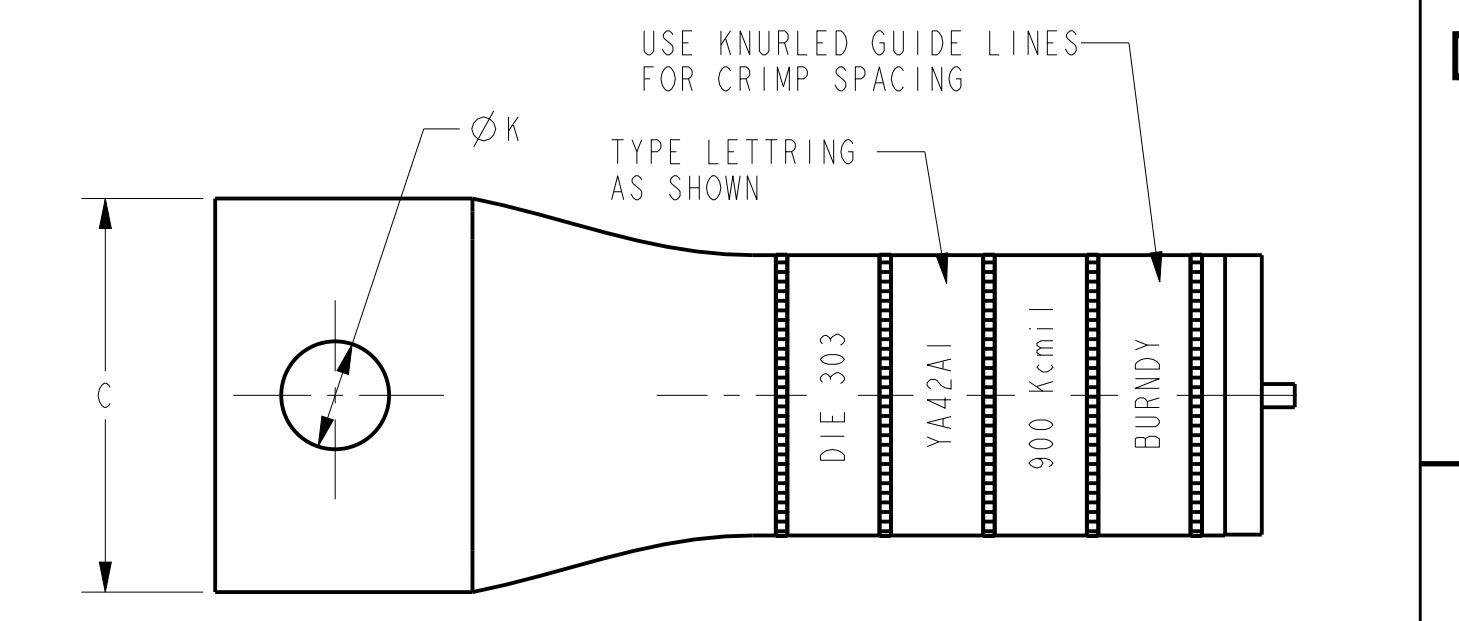


REV: PE0200

CATALOG NUMBER	CONDUCTOR SIZE		CONNECTOR DIMENSIONS-LINEAR MEASURE IN, [mm]											INFORMATION
	ALUMINUM	COPPER	STUD SIZE	NO. OF HOLES	B	C	D	E	Ø K	L	N	O.D	(T)	
YA42A1	900 kcmil CLASS B CONCENTRIC COMPRESSED COMPACT SIW	600 kcmil CLASS B,C CONCENTRIC COMPRESSED COMPACT	1/2	1	2.46 [62]	2.14 [54]	1.36 [35]	--	.56 [14]	5.32 [135]	.63 [16]	1.50 [38]	.39 [10]	TIN
YA42A3			5/8	1	2.46 [62]	2.14 [54]	1.86 [47]	--	.69 [18]	5.82 [148]	.88 [22]	1.50 [38]	.39 [10]	TIN
YA42A5			1/2	2	2.46 [62]	1.62 [41]	3.13 [79]	1.75 [44]	.56 [14]	7.09 [180]	.63 [16]	1.50 [38]	.39 [10]	TIN
YA42A7			3/8	2	2.46 [62]	2.14 [54]	2.00 [51]	1.00 [25]	.44 [11]	5.96 [151]	.44 [11]	1.50 [38]	.39 [10]	TIN

REV	DATE	DESCRIPTION	ECO	BY	C'H'K.
AU	2018-01-25 00:00:00 EST	UPDATED AS PER MARKUP	48409	YR	VS

COLOR CODE	BURNDY® INSTALLATION TOOLING (#CRIMPS)										DIELESS (#CRIMPS)	STRIP LENGTH		
	DIE INFORMATION		MECHANICAL		HYDRAULIC								MECHANICAL	HYDRAULIC
	DIE INDEX	TYPE	OUR840	MD6	Y34A Y34B	Y35, Y39 Y750 PAT750	Y46	Y45	Y48BH	Y60				
GRAY	303	DIE SET	--	--	--	U42ART (4)	U42ART (4)	U42ART (4)	--	--	--	Y644 (2) PAT644 (2)	2 7/8"	
		NEST INDENTOR	--	--	--	--	--	--	--	--	--			



- NOTES:
- ALL HYLUGS™ ACCOMMODATE U.S. STANDARD WASHERS
  - REMOVE ALL EXCESS PENETROX™ FROM CONNECTOR AND ADJACENT CONDUCTOR PRIOR TO TAPING.
  - UL LISTED AND CSA CERTIFIED WIRE CONNECTORS. RATED 90 C (AL9CU)  
U42ART DIE IS FOR 900 Kcmil AL ONLY. Y644 TOOL IS FOR 600-900 Kcmil AL OR 600 Kcmil COPPER.
  - CONNECTOR BARRELS PREFILLED WITH PENETROX™
  - DIMENSIONS IN BRACKETS [ ] ARE IN MILLIMETERS ROUNDED OFF TO THE NEAREST MILLIMETER, UNLESS OTHERWISE NOTED, AND ARE FOR REFERENCE ONLY.
  - CAN BE MOUNTED SIDE BY SIDE ON FOUR HOLE NEMA PAD
  - ADD SUFFIX "DT" TO ORDER LUGS WITH CRIMP BARREL SEALED AIR TIGHT INSIDE THE TRANSITION.
  - CATALOG #PT6515 ADAPTOR IS REQUIRED TO USE "U" DIES IN Y45 SERIES TOOLS.
  - CATALOG #PUADP-1 ADAPTOR IS REQUIRED TO USE "U" DIES IN Y46 SERIES TOOLS.
  - Y35P3 INDENTOR ADAPTOR REQUIRED FOR "Y34PR" TYPE INDENTORS.
  - FOR USE BY CUSTOMERS THAT HAVE THIS HYPRESS™. NO NEW HYPRESSES™ ARE BEING PROCESSED.
  - ADD SUFFIX "U" TO ORDER LUGS WITH UNDRILLED TONGUE.

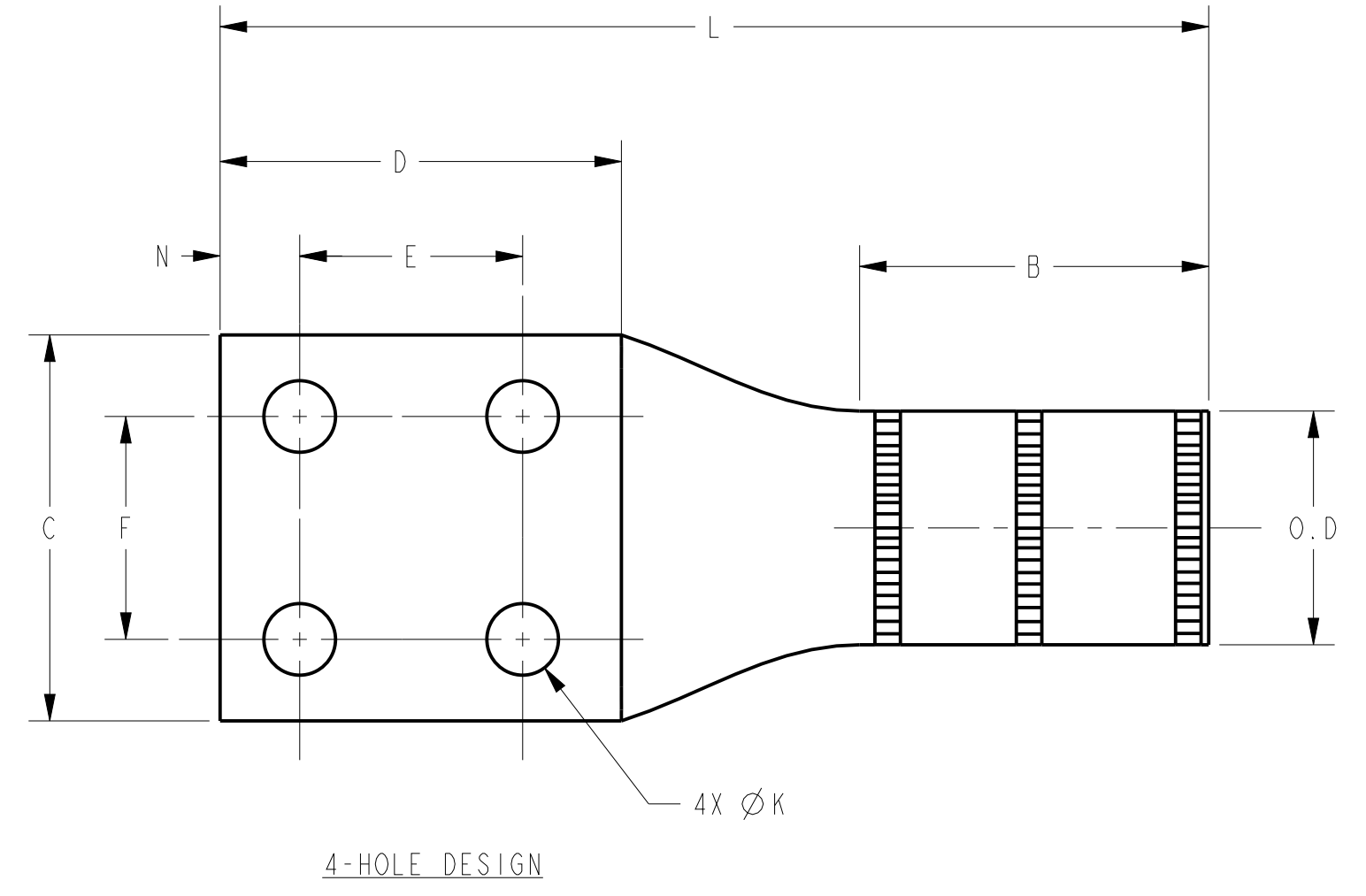
TO ORDER BURNDY® PRODUCTS CALL  
 UNITED STATES:  
 1-800-346-4175 (LONDONDERRY, NH)  
 CANADA:  
 1-800-361-6975 (QUEBEC)  
 1-800-387-6487 (ALL OTHER PROVINCES)  
 FOR PRODUCT INFO: <http://www.burndy.com>

UNINSULATED COMPRESSION TERMINAL MATERIAL: ALUMINUM TUBE		HYLUG™	
ITEM NO:	NA	CAT. NO:	YA39A-(SEE TABLE)
DRAWN BY:	E.S.K 7/21/72	CHECKER:	S.F.P 8/01/72
DSN APPVL:	R.B 8/02/72	MFG APPVL:	--
QA APPVL:	D.VARIO 6/18/95	MKT APPVL:	P.WERTHMAN 6/18/95
PROD FAM:	CM&R COMPRESSION	SCALE:	1:1
PROJECT #:	--	DRAWING NO:	SD073935
DOCUMENT TYPE:	Sales	REV:	AU
REL LEVEL:	Released	SHEET	19 OF 24

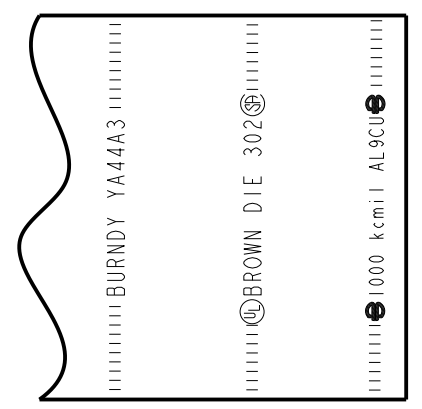
REV: PE0200

CATALOG NUMBER	CONDUCTOR SIZE		CONNECTOR DIMENSIONS-LINEAR MEASURE IN, [mm]											INFORMATION		
	ALUMINUM	COPPER	STUD SIZE	NO. OF HOLES	B	C	D	E	F	Ø K	L	N	O.D		(T)	PLATING
YA44A1	1000 kcmil CLASS B CONCENTRIC COMPRESSED COMPACT SIW	1000 kcmil CLASS B,C CONCENTRIC COMPRESSED COMPACT	5/8	1	2.74 [70]	2.50 [64]	1.89 [48]	--	--	.69 [18]	6.50 [165]	.88 [22]	1.84 [47]	.66 [17]	TIN	
YA44A2			1/2	2	2.74 [70]	1.65 [42]	3.15 [80]	1.75 [44]	--	.56 [14]	7.76 [197]	.63 [16]		.55 [14]	NONE	
YA44A3			1/2	2	2.74 [70]	1.65 [42]	2.90 [74]	1.50 [38]	--	.56 [14]	7.51 [191]	.63 [16]		.55 [14]	TIN	
YA44A4			1/2	2	2.74 [70]	1.65 [42]	2.90 [74]	1.50 [38]	--	.56 [14]	7.51 [191]	.63 [16]		.55 [14]	NONE	
YA44A5			1/2	2	2.74 [70]	1.65 [42]	2.90 [74]	1.50 [38]	--	.56 [14]	7.51 [191]	.63 [16]		.55 [14]	TIN	
YA44A6			750 Kcmil 800 Kcmil CCA DLO (1184/22) (1258/22)	1/2	4	2.74 [70]	3.03 [77]	3.15 [80]	1.75 [44]	1.75 [44]	.56 [14]	7.76 [197]		.63 [16]	.53 [13]	TIN
YA44A7			5/8	1	2.74 [70]	1.46 [37]	1.89 [48]	--	--	.69 [18]	6.50 [165]	.88 [22]		.55 [14]	TIN	
YA44A8			1/2	2	2.74 [70]	2.50 [64]	3.15 [80]	1.75 [44]	--	.56 [14]	7.76 [197]	.63 [16]		.66 [17]	TIN	
YA44A9			1/2	2(SLOTS)	2.74 [70]	1.65 [42]	3.15 [80]	1.75 [44]	--	(SLOT)	7.76 [197]	.63 [16]		.55 [14]	TIN	

REV	DATE	DESCRIPTION	ECO	BY	C'K.
AU	2018-01-25 00:00:00 EST	UPDATED AS PER MARKUP	48409	YR	VS

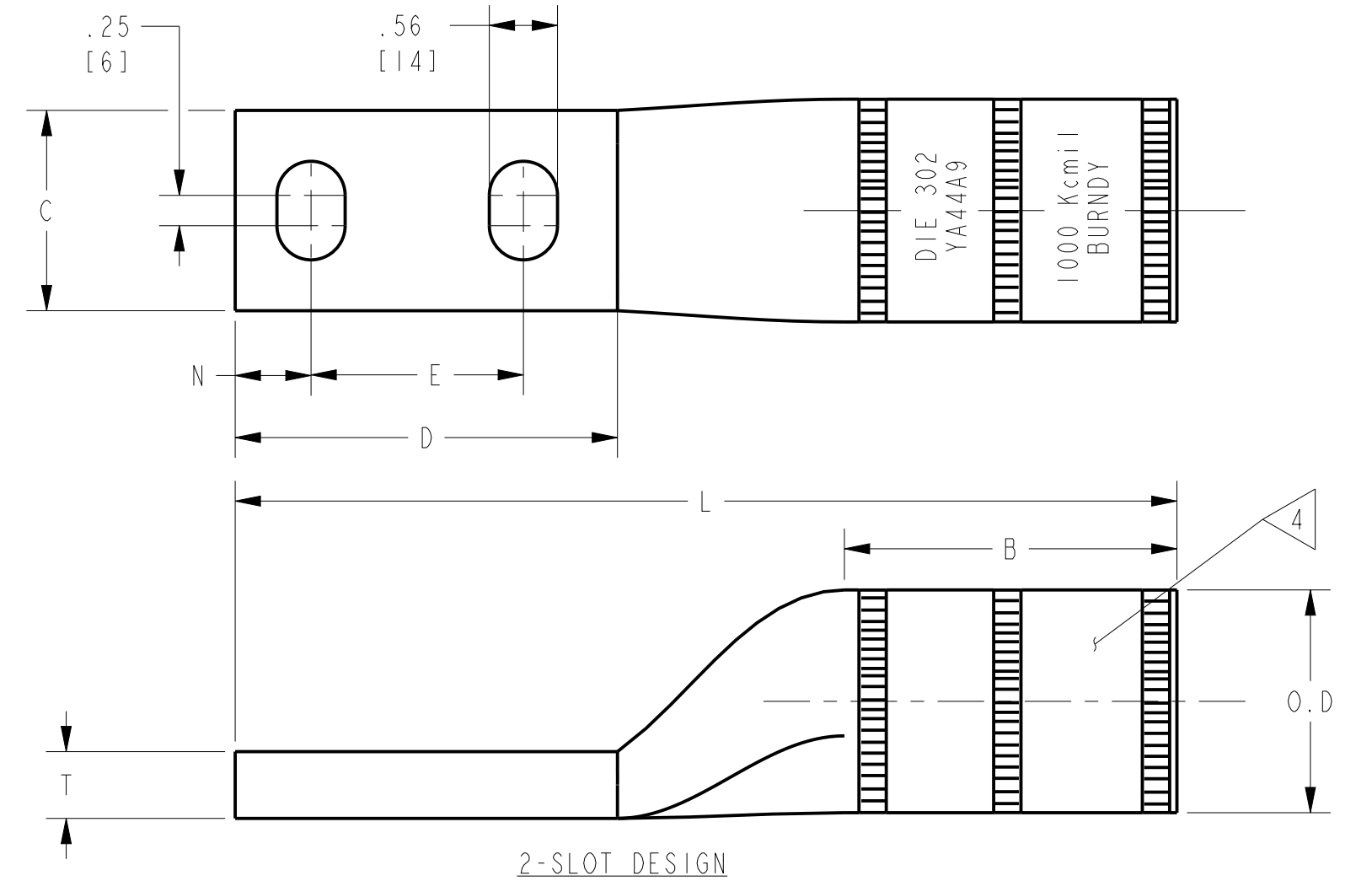


COLOR CODE	BURNDY® INSTALLATION TOOLING (#CRIMPS)										DIELESS (#CRIMPS)		STRIP LENGTH
	DIE INFORMATION		MECHANICAL		HYDRAULIC						MECHANICAL	HYDRAULIC	
	DIE INDEX	TYPE	OUR840	MD6	Y34A Y34B	Y35, Y39 Y750 PAT750	Y46	Y45	Y48BH	Y60			
BROWN	302	BROWN DIE SET	--	--	--	--	P44ART (4)	S44ART (4)	C44AR (2)	L44ART (2)	--	Y644MBH (1) ONLY	3 1/8"
		NEST INDENTOR	--	--	--	--	NO NEST (2) P48PR-1	--	F46D(2) Y48PR-1	--			



DEVELOPED LETTERING VIEW

- NOTES:
- ALL HYLUGS™ ACCOMMODATE U.S. STANDARD WASHERS
  - REMOVE ALL EXCESS PENETROX™ FROM CONNECTOR AND ADJACENT CONDUCTOR PRIOR TO TAPING.
  - UL LISTED AND CSA CERTIFIED WIRE CONNECTORS. RATED 90 C (AL9CU) FOR USE WITH COPPER OR ALUMINUM CONDUCTOR. APPROVAL APPLY TO TIN PLATED CONNECTORS ONLY.
  - CONNECTOR BARRELS PREFILLED WITH PENETROX™
  - DIMENSIONS IN BRACKETS [ ] ARE IN MILLIMETERS ROUNDED OFF TO THE NEAREST MILLIMETER, UNLESS OTHERWISE NOTED, AND ARE FOR REFERENCE ONLY.
  - ADD SUFFIX "DT" TO ORDER LUGS WITH CRIMP BARREL SEALED AIR TIGHT INSIDE THE TRANSITION.
  - CATALOG #PT6515 ADAPTOR IS REQUIRED TO USE "U" DIES IN Y45 SERIES TOOLS.
  - CATALOG #PUADP-1 ADAPTOR IS REQUIRED TO USE "U" DIES IN Y46 SERIES TOOLS.
  - Y35P3 INDENTOR ADAPTOR REQUIRED FOR "Y34PR" TYPE INDENTORS.
  - FOR USE BY CUSTOMERS THAT HAVE THIS HYPRESS™. NO NEW HYPRESSES™ ARE BEING PROCESSED.
  - UL LISTED WITH DLO COPPER CLAD ALUMINUM CONDUCTOR USING Y644MBH TOOLS ONLY.
  - ADD SUFFIX "U" TO ORDER LUGS WITH UNDRILLED TONGUE.
  - SEE DEVELOPED LETTERING VIEW FOR THESE CATALOGS.



2-SLOT DESIGN

TO ORDER BURNDY® PRODUCTS CALL UNITED STATES: 1-800-346-4175 (LONDONDERRY, NH) CANADA: 1-800-361-6975 (QUEBEC) 1-800-387-6487 (ALL OTHER PROVINCES) FOR PRODUCT INFO: <a href="http://www.burndy.com">http://www.burndy.com</a>	HYLUG™	
	ITEM NO: N/A	
	CAT. NO: YA44A- (SEE TABLE)	
	DRAWN BY: E.S.K	7/21/72
	CHECKER: S.F.P	8/01/72
	DSN APPVL: R.B	8/02/72
	MFG APPVL: --	--
	QA APPVL: D.VARIO	6/18/95
	MKT APPVL: P.WERTHMAN	6/18/95
	PROD FAM: CM&R COMPRESSION	DRAWING NO
PROJECT #: --	SCALE: 1:1	
DOCUMENT TYPE: Sales	SIZE	
REL LEVEL: Released	C	
	SD073935	
	SHEET 20 OF 24	
	REV	
	AU	

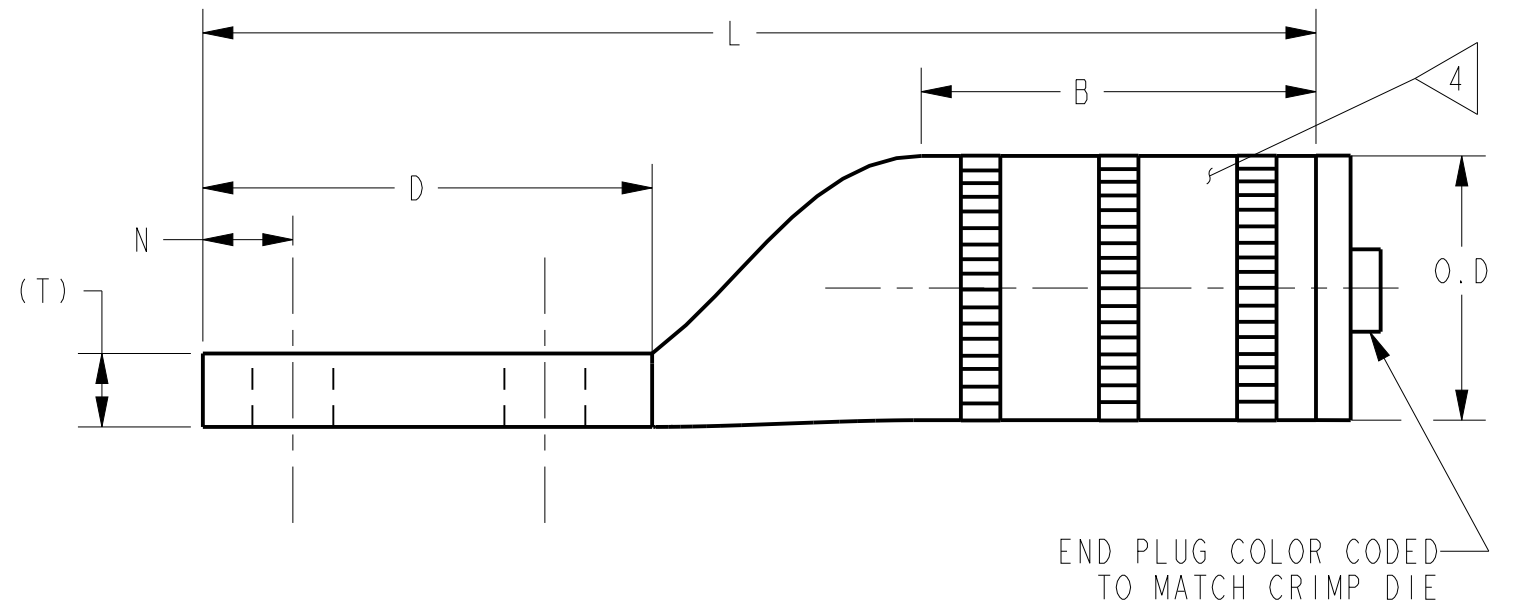
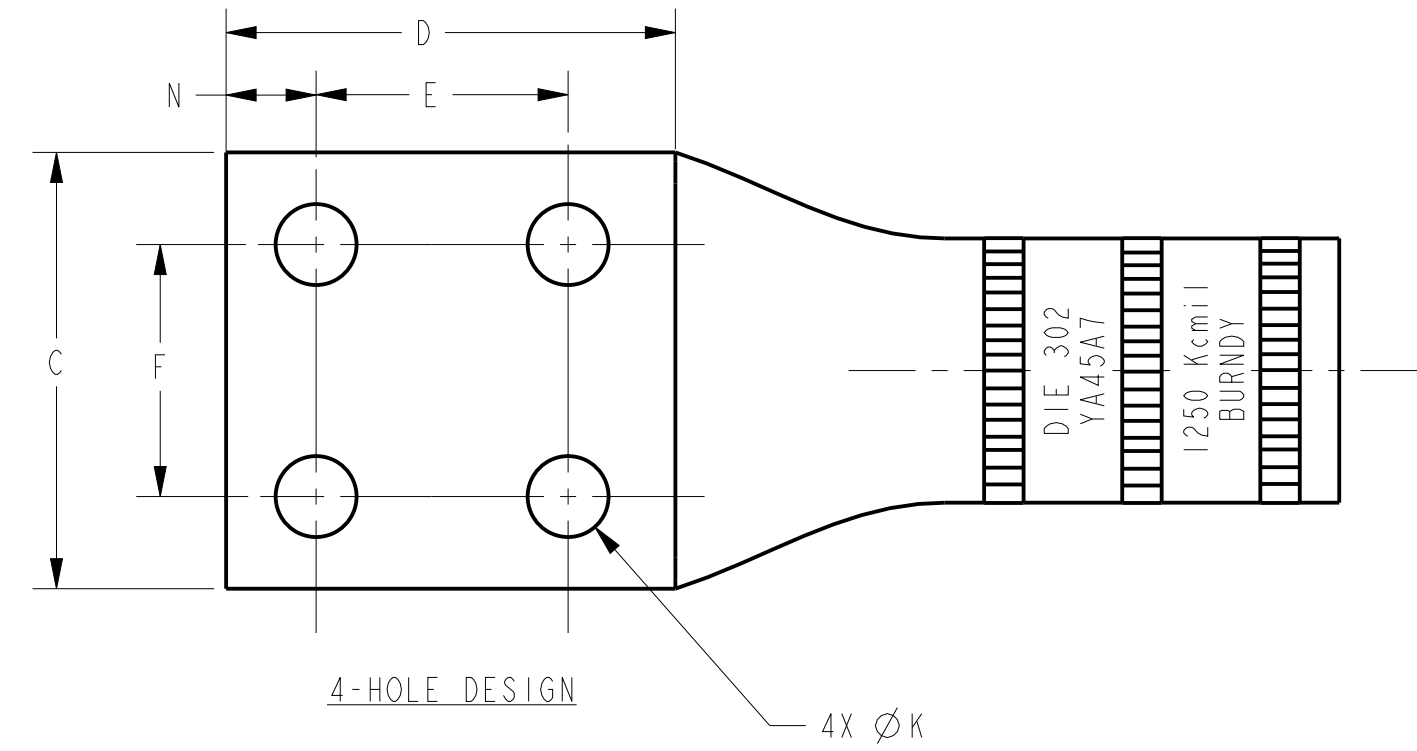
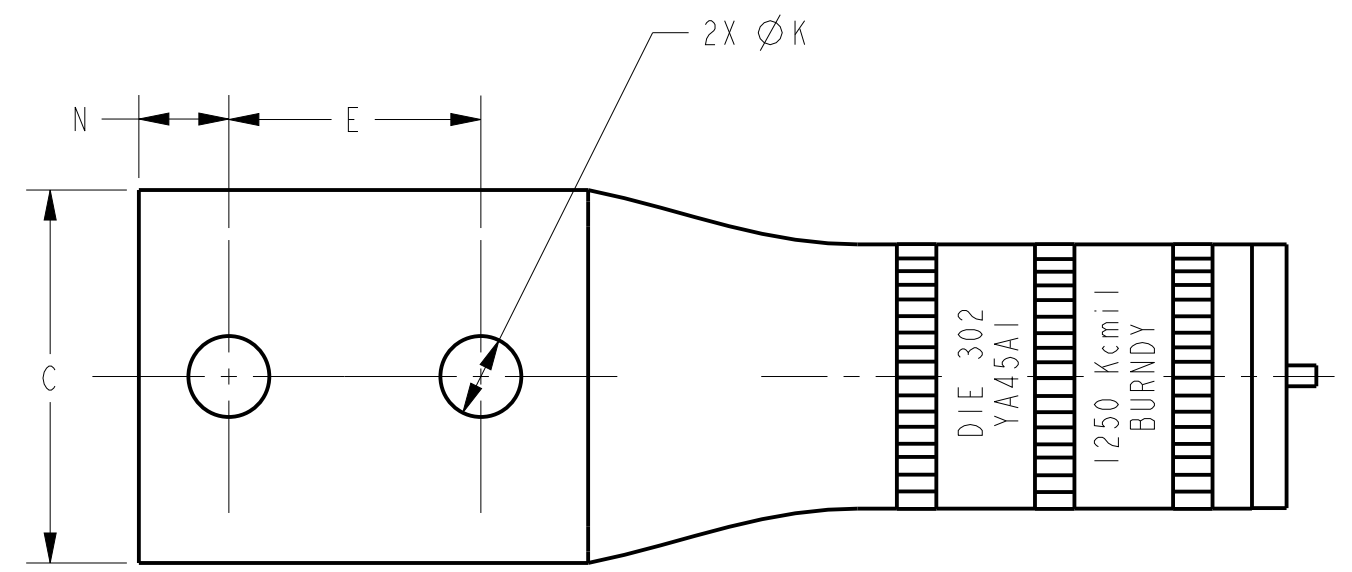
REV: PE0200

A

CATALOG NUMBER	CONDUCTOR SIZE		CONNECTOR DIMENSIONS-LINEAR MEASURE IN, [mm]											INFORMATION	
	ALUMINUM	COPPER	STUD SIZE	NO. OF HOLES	B	C	D	E	F	Ø K	L	N	O.D		(T)
YA45A1	1250 Kcmil CLASS B CONCENTRIC COMPRESSED	1250 Kcmil CLASS B,C CONCENTRIC COMPRESSED	1/2	2	3.30 [84]	3.03 [77]	3.12 [79]	1.75 [44]	--	.56 [14]	8.72 [221]	.63 [16]	2.26 [57]	.93 [24]	TIN
YA45A2	900 Kcmil				2.74 [70]	2.59 [66]	3.12 [79]	1.75 [44]	--	.56 [14]	7.73 [196]	.63 [16]	1.84 [47]	.51 [13]	NONE
YA45A5	1000 Kcmil CCA DLO (1406/22)		1/2	4	3.30 [84]	3.03 [77]	3.12 [79]	1.75 [44]	1.75 [44]	.56 [14]	8.72 [221]	.63 [16]	2.26 [57]	.93 [24]	TIN
YA45A6	1000 Kcmil CCA DLO (1554/22)				2.74 [70]	2.59 [66]	3.12 [79]	1.75 [44]	1.75 [44]	.56 [14]	7.73 [196]	.63 [16]	1.84 [47]	.43 [11]	NONE
YA45A3	900 Kcmil		1/2	4	3.30 [84]	3.03 [77]	3.12 [79]	1.75 [44]	1.75 [44]	.56 [14]	8.72 [221]	.63 [16]	2.26 [57]	.93 [24]	TIN
YA45A4	1000 Kcmil CCA DLO (1406/22)				2.74 [70]	2.59 [66]	3.12 [79]	1.75 [44]	1.75 [44]	.56 [14]	7.73 [196]	.63 [16]	1.84 [47]	.43 [11]	NONE
YA45A7	1250 Kcmil CLASS B CONCENTRIC COMPRESSED		1/2	4	3.30 [84]	3.03 [77]	3.12 [79]	1.75 [44]	1.75 [44]	.56 [14]	8.72 [221]	.63 [16]	2.26 [57]	.93 [24]	TIN
YA45A8	900 Kcmil				2.74 [70]	2.59 [66]	3.12 [79]	1.75 [44]	1.75 [44]	.56 [14]	7.73 [196]	.63 [16]	1.84 [47]	.43 [11]	NONE

REV	DATE	DESCRIPTION	ECO	BY	C'H'K.
AU	2018-01-25 00:00:00 EST	UPDATED AS PER MARKUP	48409	YR	VS

COLOR CODE	BURNDY® INSTALLATION TOOLING (#CRIMPS)										DIELESS (#CRIMPS)		STRIP LENGTH
	DIE INFORMATION		MECHANICAL		HYDRAULIC						MECHANICAL	HYDRAULIC	
	DIE INDEX	TYPE	OUR840	MD6	Y34A Y34B	Y35, Y39 Y750 PAT750	Y46	Y45	Y48BH	Y60			
BROWN	302	BROWN DIE SET	--	--	--	--	P44ART (4)	S44ART (4)	C44AR (2)	L44ART (2)	--	Y644MBH (1) ONLY	3 1/8"
		NEST INDENTOR	--	--	--	--	NO NEST (2) P48PR-1	--	F46D(2) Y48PR-1	--			



- NOTES:
- ALL HYLUGS™ ACCOMMODATE U.S. STANDARD WASHERS
  - REMOVE ALL EXCESS PENETROX™ FROM CONNECTOR AND ADJACENT CONDUCTOR PRIOR TO TAPING.
  - UL LISTED AND CSA CERTIFIED WIRE CONNECTORS. RATED 70C (AL7CU) FOR USE WITH COPPER OR ALUMINUM CONDUCTOR. APPROVAL APPLY TO TIN PLATED CONNECTORS ONLY.
  - CONNECTOR BARRELS PREFILLED WITH PENETROX™
  - DIMENSIONS IN BRACKETS [ ] ARE IN MILLIMETERS ROUNDED OFF TO THE NEAREST MILLIMETER, UNLESS OTHERWISE NOTED, AND ARE FOR REFERENCE ONLY.
  - ADD SUFFIX "DT" TO ORDER LUGS WITH CRIMP BARREL SEALED AIR TIGHT INSIDE THE TRANSITION.
  - CATALOG #PT6515 ADAPTOR IS REQUIRED TO USE "U" DIES IN Y45 SERIES TOOLS.
  - CATALOG #PUADP-1 ADAPTOR IS REQUIRED TO USE "U" DIES IN Y46 SERIES TOOLS.
  - Y35P3 INDENTOR ADAPTOR REQUIRED FOR "Y34PR" TYPE INDENTORS.
  - FOR USE BY CUSTOMERS THAT HAVE THIS HYPRESS™. NO NEW HYPRESSES™ ARE BEING PROCESSED.
  - UL LISTED WITH DLO COPPER CLAD ALUMINUM CONDUCTOR USING Y644MBH TOOLS ONLY.
  - ADD SUFFIX "U" TO ORDER LUGS WITH UNDRILLED TONGUE.

2-HOLE DESIGN

UNINSULATED COMPRESSION TERMINAL  
MATERIAL: ALUMINUM TUBE

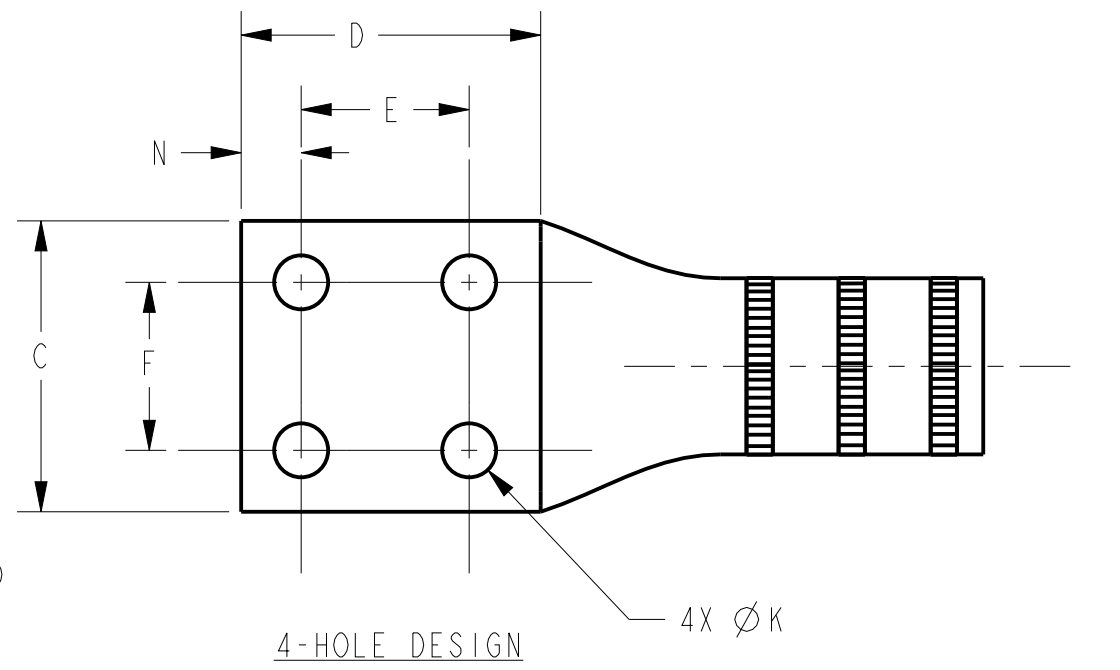
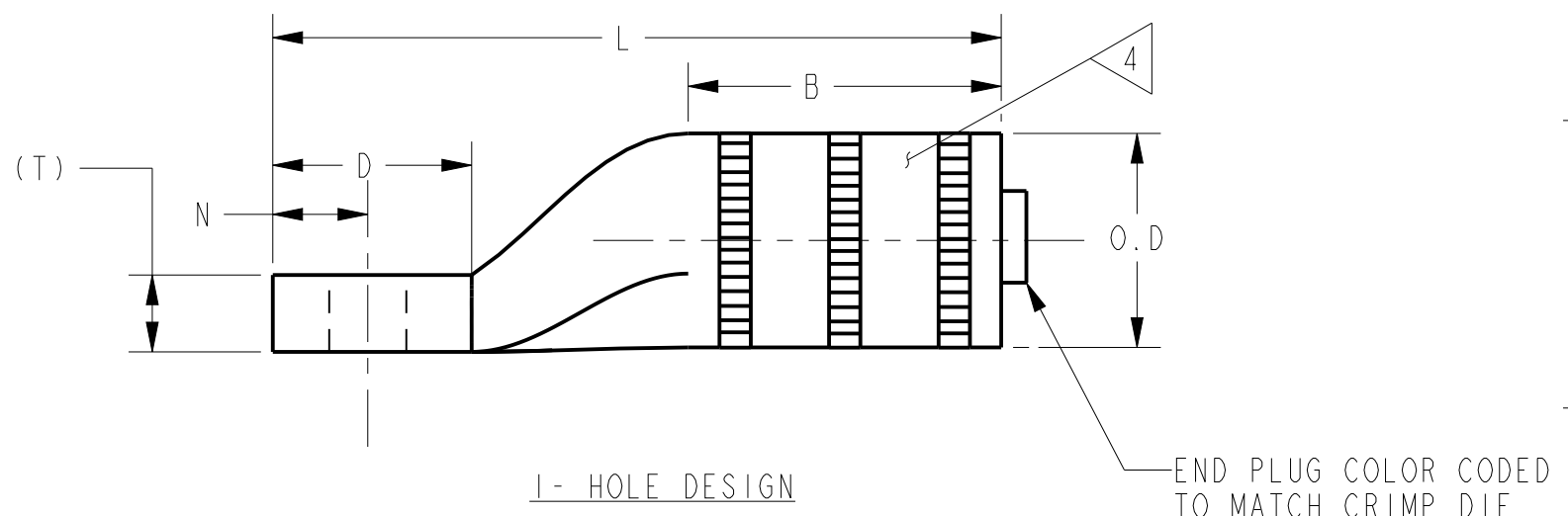
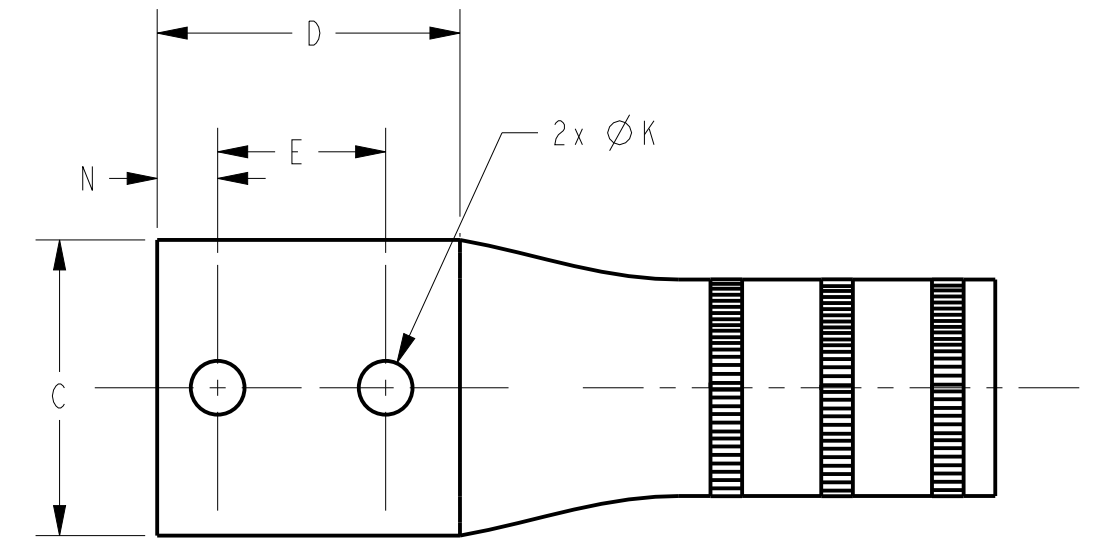
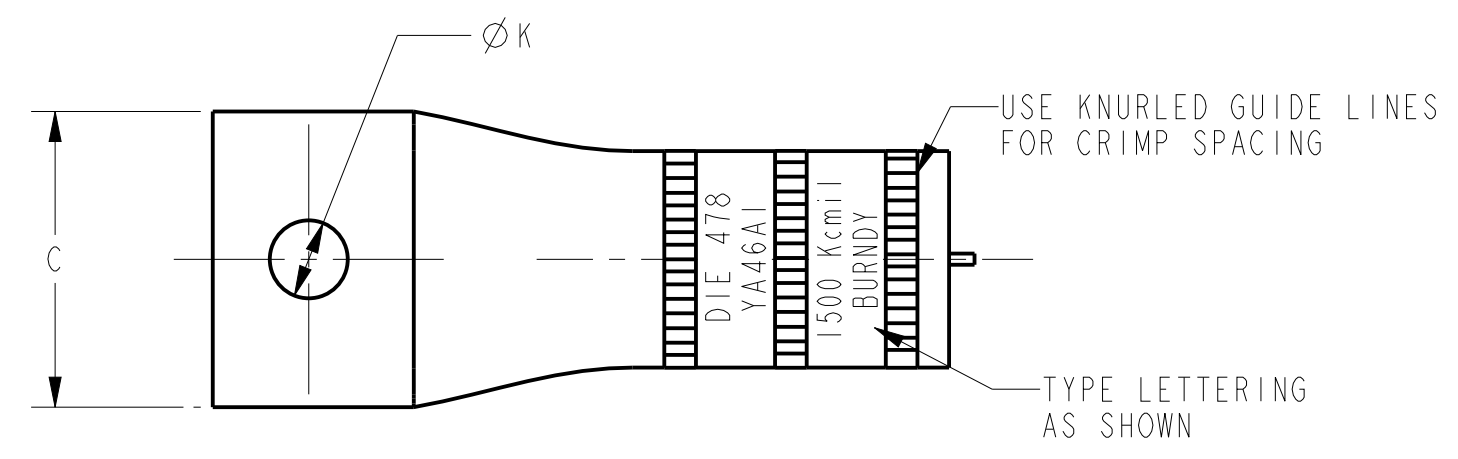
TO ORDER BURNDY® PRODUCTS CALL  UNITED STATES: 1-800-346-4175 (LONDONDERRY, NH)  CANADA: 1-800-361-6975 (QUEBEC) 1-800-387-6487 (ALL OTHER PROVINCES)  FOR PRODUCT INFO: <a href="http://www.burndy.com">http://www.burndy.com</a>	HYLUG™	
	ITEM NO: NA	CAT. NO: YA45A-(SEE TABLE)
	DRAWN BY: E.S.K 7/21/72	CHECKER: S.F.P 8/01/72
	DSN APPVL: R.B 8/02/72	MFG APPVL: --
	QA APPVL: D.VARIO 6/18/95	MKT APPVL: P.WERTHMAN 6/18/95
	PROD FAM: CM&R COMPRESSION	SCALE: 1:1
	PROJECT #: --	SIZE
	DOCUMENT TYPE: Sales	C
	REL LEVEL: Released	C
	DRAWING NO SD073935 SHEET 21 OF 24	

REV: PE0200

CATALOG NUMBER	CONDUCTOR SIZE		CONNECTOR DIMENSIONS-LINEAR MEASURE IN, [mm]											INFORMATION					
	ALUMINUM	COPPER	STUD SIZE	NO. OF HOLES	B	C	D	E	F	$\phi_K$	L	N	O.D		(T)	PLATING			
YA46A1	1500 Kcmil CLASS B CONCENTRIC COMPRESSED COMPACT SIW	1500 Kcmil CLASS B,C CONCENTRIC COMPRESSED COMPACT	3/4	1	3.30	3.08	2.09	--	--	.81	7.67	1.00	2.26	.81	TIN				
[84]					[78]	[53]	--	--	[21]	[195]	[25]	[21]			NONE				
YA46A2			1/2	2	3.30	3.08	3.15	1.75	--	.56	8.73	.63			[57]	.81	TIN		
YA46A3					[84]	[78]	[80]	[44]	--	[14]	[222]	[16]					[21]	NONE	
YA46A4			1/2	4	3.30	3.08	3.15	1.75	1.75	.56	8.73	.63					[57]	.81	TIN
YA46A5					[84]	[78]	[80]	[44]	[44]	[14]	[222]	[16]							[21]
YA46A6																			

REV	DATE	DESCRIPTION	ECO	BY	C'H'K.
AU	2018-01-25 00:00:00 EST	UPDATED AS PER MARKUP	48409	YR	VS

COLOR CODE	BURNDY® INSTALLATION TOOLING (#CRIMPS)										DIELESS (#CRIMPS)		STRIP LENGTH
	DIE INFORMATION		MECHANICAL		HYDRAULIC						MECHANICAL	HYDRAULIC	
	DIE INDEX	TYPE	OUR840	MD6	Y34A Y34B	Y35, Y39 Y750 PAT750	Y46	Y45	Y48BH	Y60			
BLUE	478	BLUE DIE SET NEST INDENTOR	--	--	--	--	--	--	C46AR (2)	L46ART (2)	--	--	3 3/4"



NOTES:

- ALL HYLUGS™ ACCOMMODATE U.S. STANDARD WASHERS
- REMOVE ALL EXCESS PENETROX™ FROM CONNECTOR AND ADJACENT CONDUCTOR PRIOR TO TAPING.
- UL LISTED AND CSA CERTIFIED WIRE CONNECTORS. RATED 70C (AL7CU) FOR USE WITH COPPER OR ALUMINUM CONDUCTOR. APPROVAL APPLY TO TIN PLATED CONNECTORS ONLY.
- CONNECTOR BARRELS PREFILLED WITH PENETROX™
- DIMENSIONS IN BRACKETS [ ] ARE IN MILLIMETERS ROUNDED OFF TO THE NEAREST MILLIMETER, UNLESS OTHERWISE NOTED, AND ARE FOR REFERENCE ONLY.
- ADD SUFFIX "DT" TO ORDER LUGS WITH CRIMP BARREL SEALED AIR TIGHT INSIDE THE TRANSITION.
- CATALOG #PT6515 ADAPTOR IS REQUIRED TO USE "U" DIES IN Y45 SERIES TOOLS.
- CATALOG #PUADP-1 ADAPTOR IS REQUIRED TO USE "U" DIES IN Y46 SERIES TOOLS.
- Y35P3 INDENTOR ADAPTOR REQUIRED FOR "Y34PR" TYPE INDENTORS.
- FOR USE BY CUSTOMERS THAT HAVE THIS HYPRESS™. NO NEW HYPRESSES™ ARE BEING PROCESSED.
- ADD SUFFIX "U" TO ORDER LUGS WITH UNDRILLED TONGUE.

UNINSULATED COMPRESSION TERMINAL MATERIAL: ALUMINUM TUBE

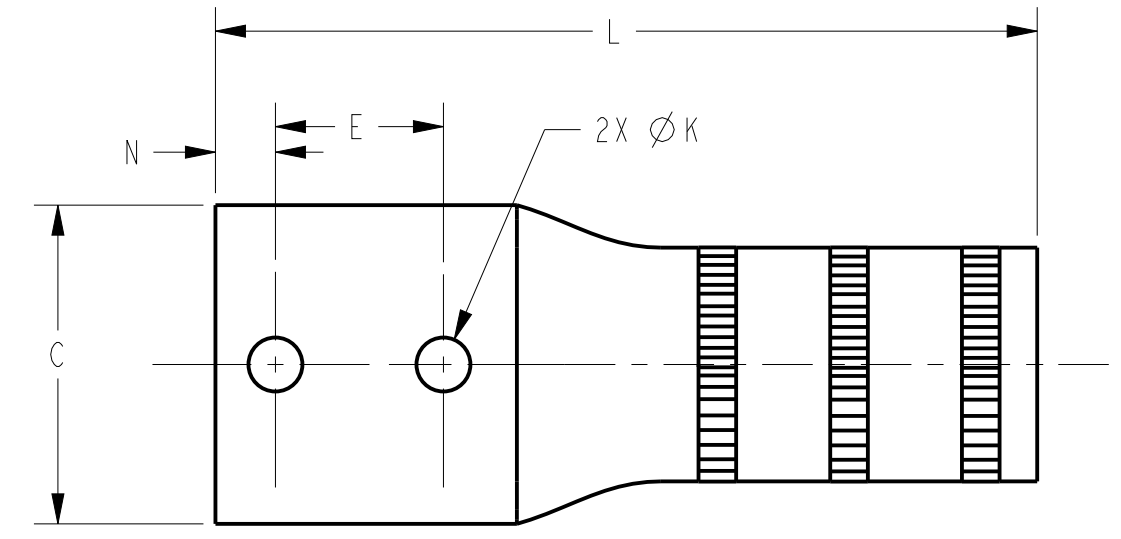
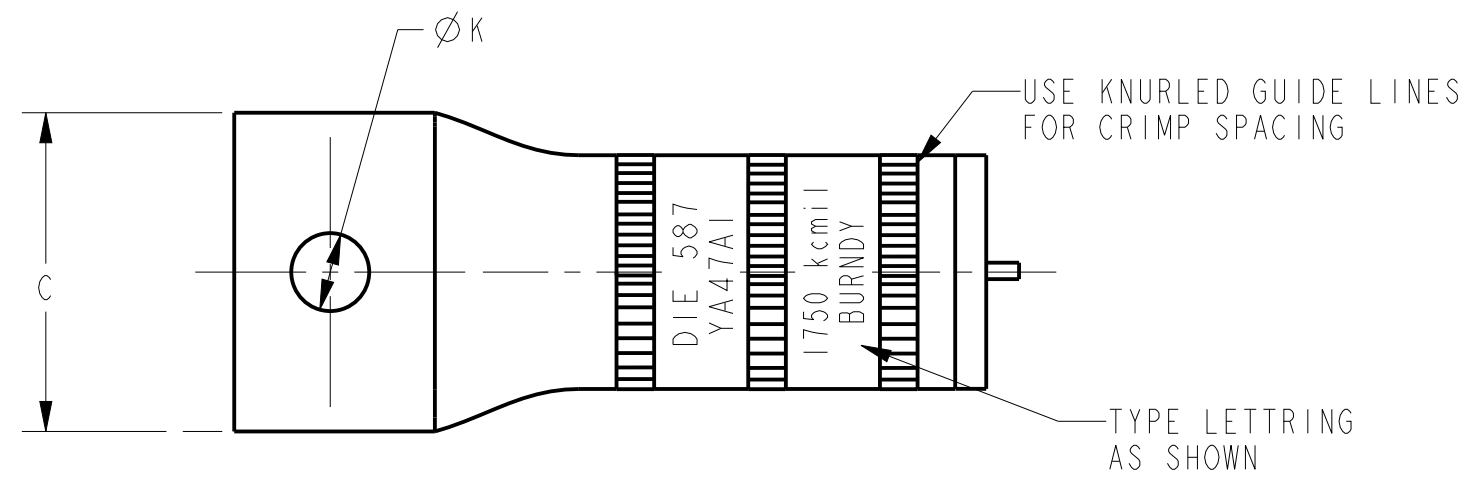
TO ORDER BURNDY® PRODUCTS CALL UNITED STATES: 1-800-346-4175 (LONDONDERRY, NH) CANADA: 1-800-361-6975 (QUEBEC) 1-800-387-6487 (ALL OTHER PROVINCES) FOR PRODUCT INFO: <a href="http://www.burndy.com">http://www.burndy.com</a>	HYLUG™	
	ITEM NO: NA	
	CAT. NO: YA46A-(SEE TABLE)	
	DRAWN BY: E.S.K	7/21/72
	CHECKER: S.F.P	8/01/72
	DSN APPVL: R.B	8/02/72
	MFG APPVL: --	--
	QA APPVL: D.VARIO	6/18/95
	MKT APPVL: P.WERTHMAN	6/18/95
	PROD FAM: CM&R COMPRESSION	SCALE: 1:1
PROJECT #: --	SIZE	
DOCUMENT TYPE: Sales	C	
REL LEVEL: Released	C	

REV: PE0200

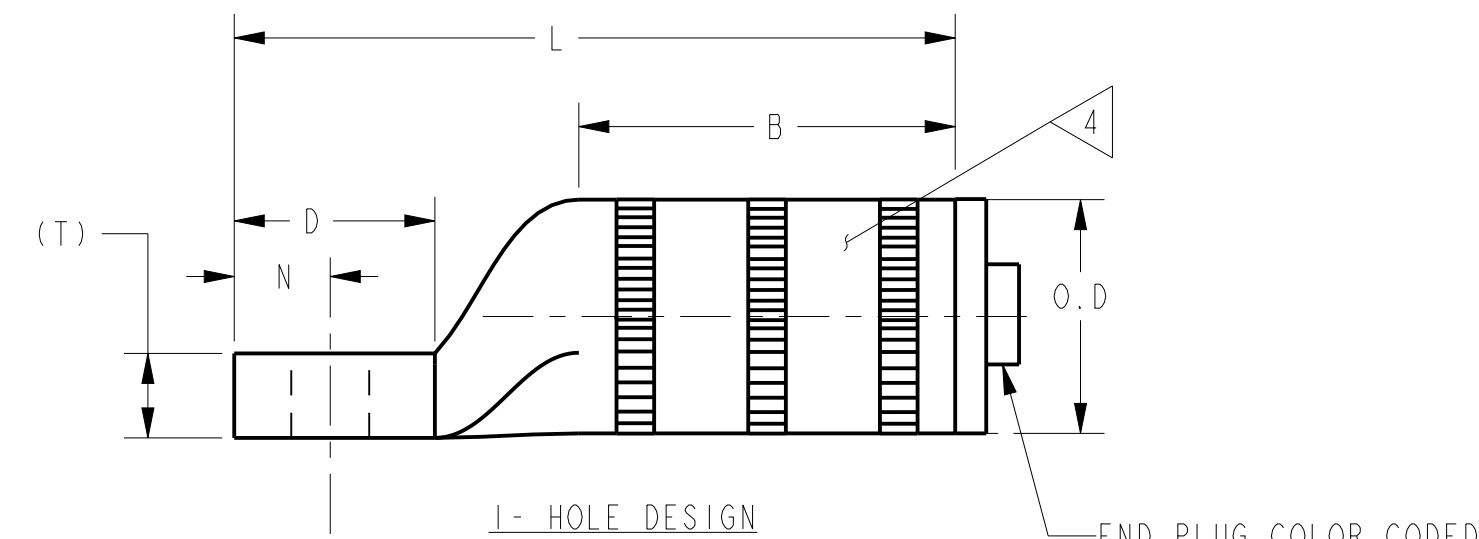
CATALOG NUMBER	CONDUCTOR SIZE		CONNECTOR DIMENSIONS-LINEAR MEASURE IN, [mm]													INFORMATION							
	ALUMINUM	COPPER	STUD SIZE	NO. OF HOLES	B	C	D	E	F	Ø K	L	N	O.D	(T)	PLATING								
YA47A1	1750 Kcmil CLASS B CONCENTRIC COMPRESSED COMPACT SIW	1750 Kcmil CLASS B,C CONCENTRIC COMPRESSED COMPACT	3/4	1	3.92	3.32	2.09	--	--	.81	7.51	1.00	2.44	.88	TIN								
[100]					[84]	[53]	--	--	[21]	[191]	[25]	[22]		NONE									
YA47A2			1/2	2	3.92	3.32	3.14	1.75	--	.56	8.56	.63	2.44	.88	TIN								
[100]															[84]	[80]	[44]	--	[14]	[217]	[16]	[22]	NONE
YA47A3															TIN								
YA47A4															NONE								
YA47A5	TIN																						
YA47A6	NONE																						

REV	DATE	DESCRIPTION	ECO	BY	C'H'K.
AU	2018-01-25 00:00:00 EST	UPDATED AS PER MARKUP	48409	YR	VS

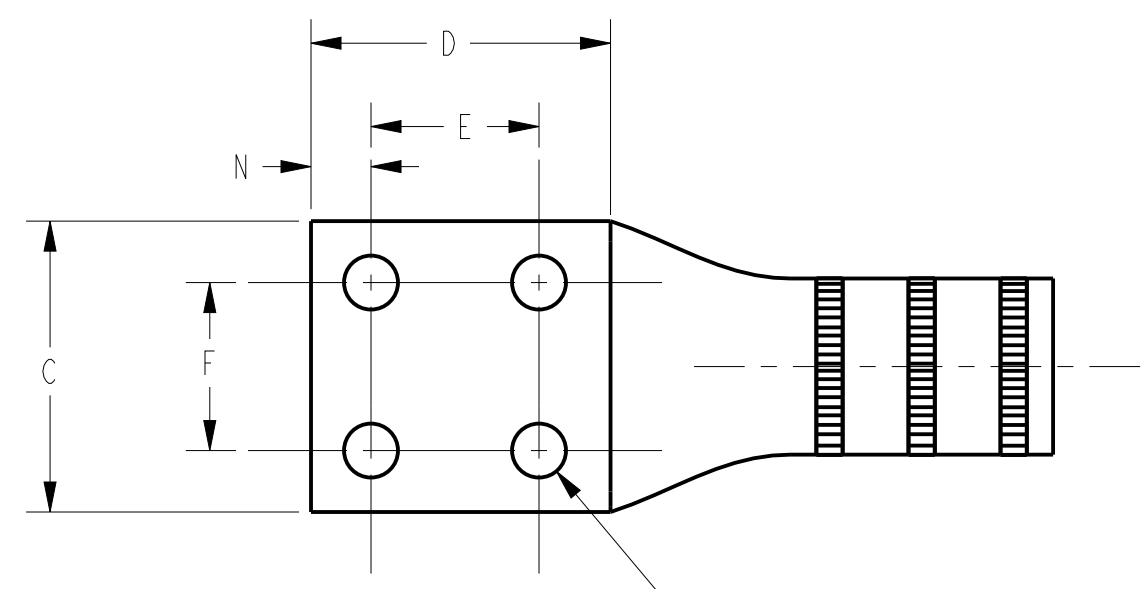
COLOR CODE	BURNDY® INSTALLATION TOOLING (#CRIMPS)											DIELESS (#CRIMPS)	STRIP LENGTH	
	DIE INFORMATION		MECHANICAL		HYDRAULIC						MECHANICAL			HYDRAULIC
	DIE INDEX	TYPE	OUR840	MD6	Y34A Y34B	Y35, Y39 Y750 PAT750	Y46	Y45	Y488H	Y60				
WHITE	587	WHITE DIE SET NEST INDENTOR	--	--	--	--	--	--	--	--	L47ART (2)	--	--	4 3/8"



2-HOLE DESIGN



1-HOLE DESIGN



4-HOLE DESIGN

UNINSULATED COMPRESSION TERMINAL MATERIAL: ALUMINUM TUBE

NOTES:

- ALL HYLUGS™ ACCOMMODATE U.S. STANDARD WASHERS
- REMOVE ALL EXCESS PENETROX™ FROM CONNECTOR AND ADJACENT CONDUCTOR PRIOR TO TAPING.
- UL LISTED AND CSA CERTIFIED WIRE CONNECTORS. RATED 70C (AL7CU) FOR USE WITH COPPER OR ALUMINUM CONDUCTOR. APPROVAL APPLY TO TIN PLATED CONNECTORS ONLY.
- CONNECTOR BARRELS PREFILLED WITH PENETROX™
- DIMENSIONS IN BRACKETS [ ] ARE IN MILLIMETERS ROUNDED OFF TO THE NEAREST MILLIMETER, UNLESS OTHERWISE NOTED, AND ARE FOR REFERENCE ONLY.
- ADD SUFFIX "DT" TO ORDER LUGS WITH CRIMP BARREL SEALED AIR TIGHT INSIDE THE TRANSITION.
- CATALOG #PT6515 ADAPTOR IS REQUIRED TO USE "U" DIES IN Y45 SERIES TOOLS.
- CATALOG #PUADP-1 ADAPTOR IS REQUIRED TO USE "U" DIES IN Y46 SERIES TOOLS.
- Y35P3 INDENTOR ADAPTOR REQUIRED FOR "Y34PR" TYPE INDENTORS.
- FOR USE BY CUSTOMERS THAT HAVE THIS HYPRESS™. NO NEW HYPRESSES™ ARE BEING PROCESSED.
- ADD SUFFIX "U" TO ORDER LUGS WITH UNDRILLED TONGUE.

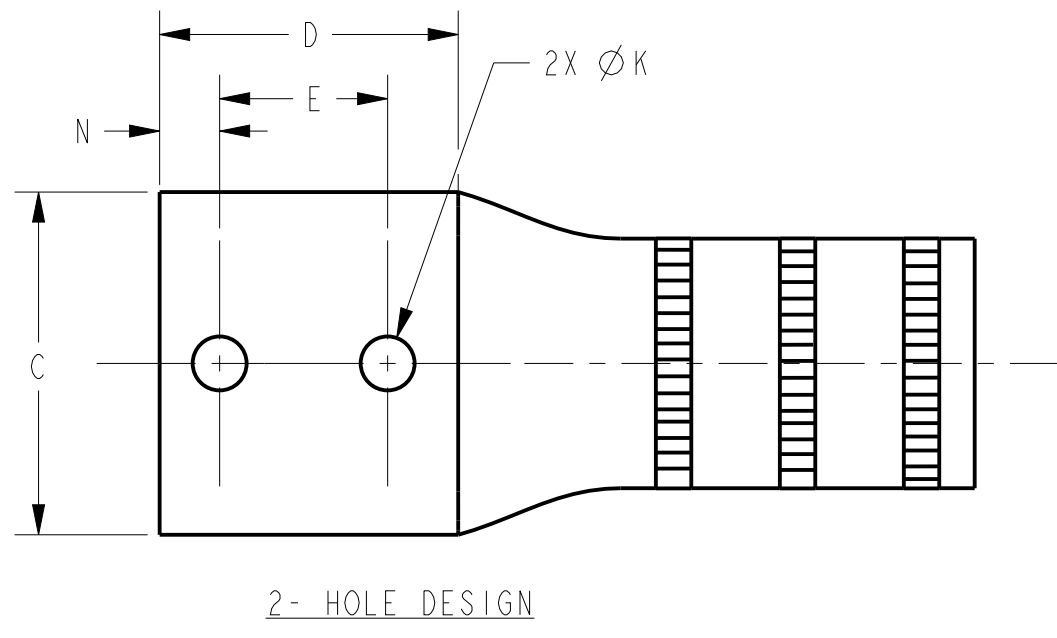
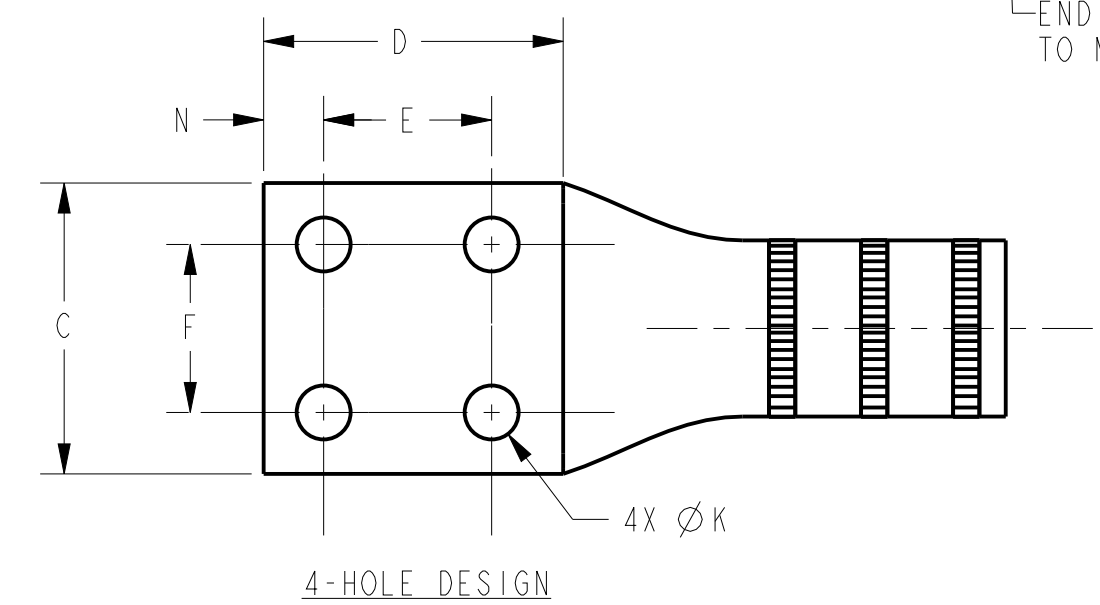
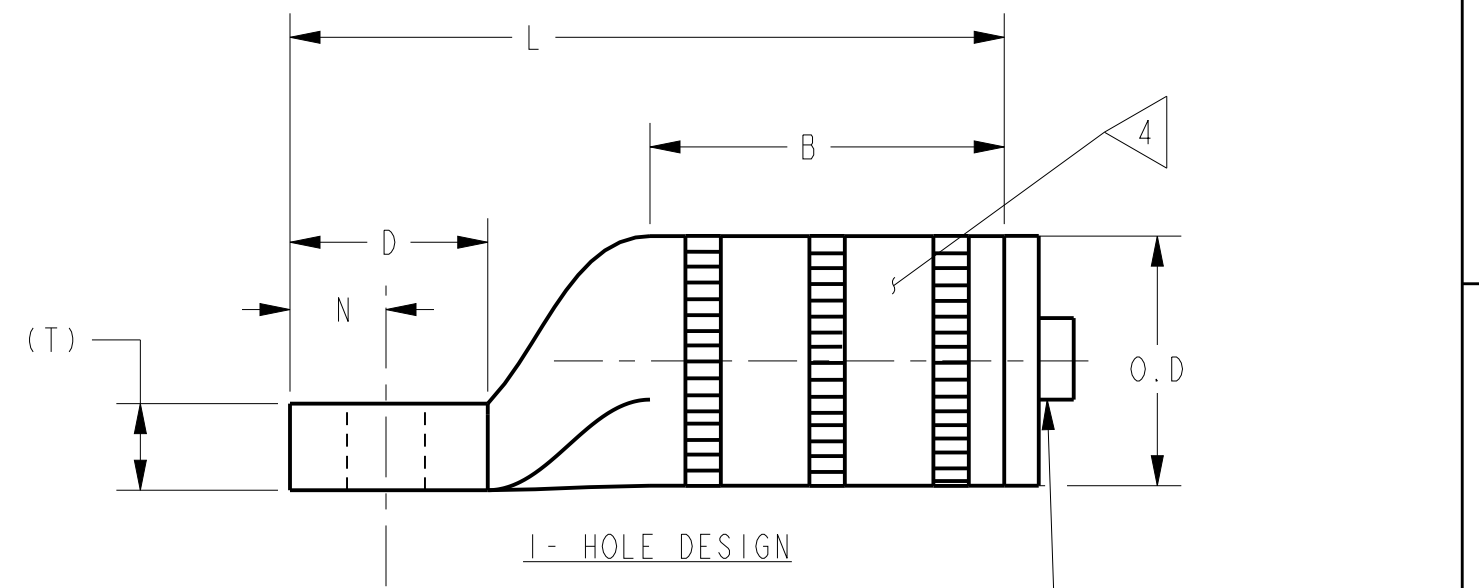
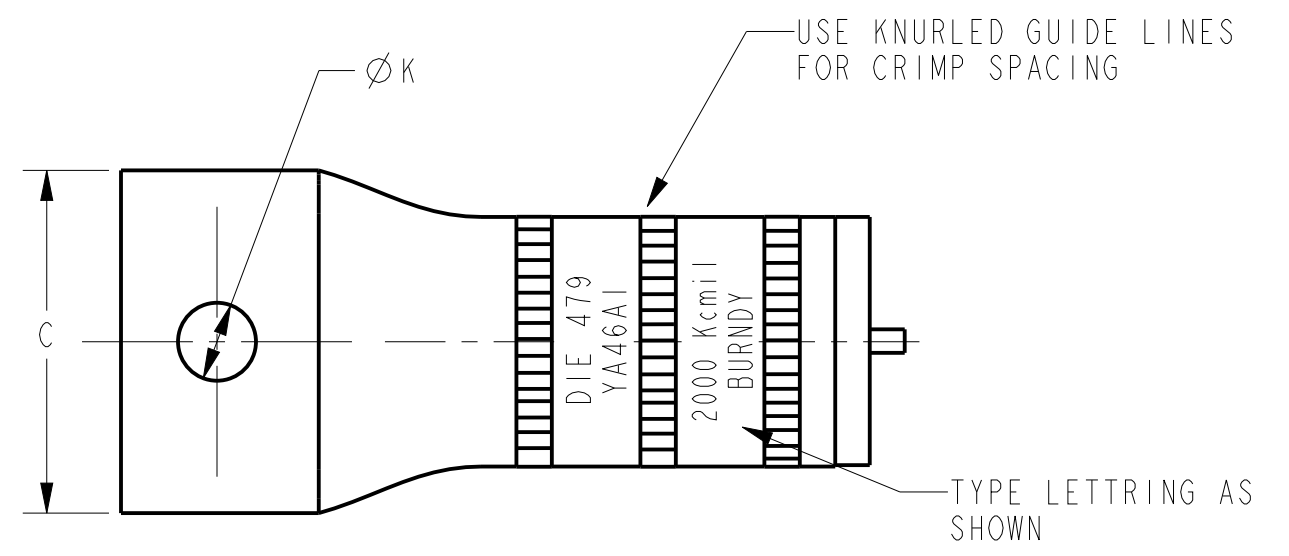
TO ORDER BURNDY® PRODUCTS CALL UNITED STATES: 1-800-346-4175 (LONDONDERRY, NH) CANADA: 1-800-361-6975 (QUEBEC) 1-800-387-6487 (ALL OTHER PROVINCES) FOR PRODUCT INFO: <a href="http://www.burndy.com">http://www.burndy.com</a>	HYLUG™	
	ITEM NO: NA	CAT. NO: YA47A-(SEE TABLE)
	DRAWN BY: E.S.K 7/21/72	CHECKER: S.F.P 8/01/72
	DSN APPVL: R.B 8/02/72	MFG APPVL: --
	QA APPVL: D.VARIO 6/18/95	MKT APPVL: P.WERTHMAN 6/18/95
	PROD FAM: CM&R COMPRESSION	DRAWING NO: SD073935
	PROJECT #: --	SIZE: C
	DOCUMENT TYPE: Sales	REL LEVEL: Released
	SCALE: 1:1	
	REV: AU	

REV: PE0200

CATALOG NUMBER	CONDUCTOR SIZE		CONNECTOR DIMENSIONS-LINEAR MEASURE IN, [mm]												O.D	(T)	PLATING
	ALUMINUM	COPPER	STUD SIZE	NO. OF HOLES	B	C	D	E	F	$\phi$ K	L	N					
YA48A1	2000 Kcmil CLASS B CONCENTRIC COMPRESSED COMPACT SIW	2000 Kcmil CLASS B,C CONCENTRIC COMPRESSED COMPACT	3/4	1	3.69	3.57	2.06	--	--	.81	7.44	1.00	2.60 [66]	.80 [20]	TIN		
YA48A2					[94]	[91]	[52]	--	--	[21]	[189]	[25]			NONE		
YA48A3			1/2	2	3.69	3.57	3.11	1.75	--	.56	8.49	.63		.90 [23]	TIN		
YA48A4					[94]	[91]	[79]	[44]	--	[14]	[216]	[16]			NONE		
YA48A8			1/2	2	3.69	2.60	3.00	1.75	--	.66	8.40	.55		.90 [23]	TIN		
YA48A5					[94]	[66]	[76]	[44]	--	[17]	[213]	[14]			NONE		
YA48A6			1/2	4	3.69	3.57	3.11	1.75	1.75	.56	8.49	.63		.90 [23]	TIN		
YA48A10					[94]	[91]	[79]	[44]	[44]	[14]	[216]	[16]			NONE		
YA48A10			--	--	3.69	3.57	3.05	--	--	--	8.49	--		.90 [23]	NONE		
YA48A10			[94]	[91]	[77]	--	--	--	--	[216]	--	NONE					
YA483A1	1/2	2	3.69	3.63	3.11	1.75	--	.56	8.49	.63	.79 [20]	TIN					
YA483A2			[94]	[92]	[79]	[44]	--	[14]	[216]	[16]		NONE					

REV	DATE	DESCRIPTION	ECO	BY	C'H'K.
AU	2018-01-25 00:00:00 EST	UPDATED AS PER MARKUP	48409	YR	VS

COLOR CODE	BURNDY® INSTALLATION TOOLING (#CRIMPS)										DIELESS (#CRIMPS)		STRIP LENGTH
	DIE INFORMATION		MECHANICAL		HYDRAULIC						MECHANICAL	HYDRAULIC	
	DIE INDEX	TYPE	OUR840	MD6	Y34A Y34B	Y35, Y39 Y750 PAT750	Y46	Y45	Y488H	Y60			
RED	479	RED DIE SET NEST INDENTOR	--	--	--	--	--	--	--	L48ART (2)	--	--	4 1/8"



NOTES:

- ALL HYLUGS™ ACCOMMODATE U.S. STANDARD WASHERS
- REMOVE ALL EXCESS PENETROX™ FROM CONNECTOR AND ADJACENT CONDUCTOR PRIOR TO TAPING.
- UL LISTED AND CSA CERTIFIED WIRE CONNECTORS, RATED 70C (AL7CU) FOR USE WITH COPPER OR ALUMINUM CONDUCTOR. APPROVAL APPLY TO TIN PLATED CONNECTORS ONLY.
- CONNECTOR BARRELS PREFILLED WITH PENETROX™
- DIMENSIONS IN BRACKETS [ ] ARE IN MILLIMETERS ROUNDED OFF TO THE NEAREST MILLIMETER, UNLESS OTHERWISE NOTED, AND ARE FOR REFERENCE ONLY.
- ADD SUFFIX "DT" TO ORDER LUGS WITH CRIMP BARREL SEALED AIR TIGHT INSIDE THE TRANSITION.
- THIS CONNECTOR DESIGNED TO BE WELDED TO AN ALUMINIUM BUS AND WILL HAVE A BARE FINISH AND NO PENETROX
- CATALOG #PT6515 ADAPTOR IS REQUIRED TO USE "U" DIES IN Y45 SERIES TOOLS.
- CATALOG #PUADP-1 ADAPTOR IS REQUIRED TO USE "U" DIES IN Y46 SERIES TOOLS.
- Y35P3 INDENTOR ADAPTOR REQUIRED FOR "Y34PR" TYPE INDENTORS.
- FOR USE BY CUSTOMERS THAT HAVE THIS HYPRESS™. NO NEW HYPRESSES™ ARE BEING PROCESSED.
- ADD SUFFIX "U" TO ORDER LUGS WITH UNDRILLED TONGUE.

UNINSULATED COMPRESSION TERMINAL MATERIAL: ALUMINUM TUBE

TO ORDER BURNDY® PRODUCTS CALL UNITED STATES: 1-800-346-4175 (LONDONDERRY, NH) CANADA: 1-800-361-6975 (QUEBEC) 1-800-387-6487 (ALL OTHER PROVINCES) FOR PRODUCT INFO: <a href="http://www.burndy.com">http://www.burndy.com</a>	HYLUG™	
	ITEM NO: NA	CAT. NO: YA48A-(SEE TABLE)
	DRAWN BY: E.S.K 7/21/72	CHECKER: S.F.P 8/01/72
	DSN APPVL: R.B 8/02/72	MFG APPVL: --
	QA APPVL: D.VARIO 6/18/95	MKT APPVL: P.WERTHMAN 6/18/95
	PROD FAM: CM&R COMPRESSION	SCALE: 1:2
	PROJECT #: --	SIZE
	DOCUMENT TYPE: Sales	SD073935
	REL LEVEL: Released	C
		SHEET 24 OF 24

REV: PE0200

A