



SATCO LED lamps offer one of today's largest selections of LED products — providing solutions for the commercial, industrial and residential markets.

We bring quality, value and design to every product we create. With advancing technology, we improve performance, energy savings, safety, ease of installation and maintenance, and overall satisfaction.

We are your partners in success — from convenient packaging options and retail support to inventory supply.

SATCO is the lighting solution you can count on for the products you can rely on!



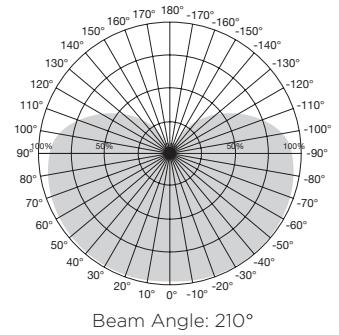
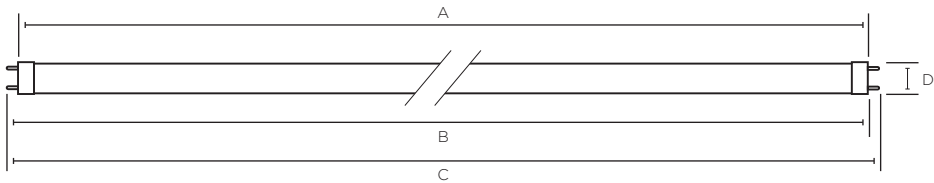
# T8 LED 2', 3', & 4' TYPE A LAMPS - BALLAST COMPATIBLE



## Features:

- High efficiency - up to 163 LPW
- Plug and play replacement\*
- All glass tubes: no aging, yellowing or bending
- Integrated thermal fuse at pins
- DLC 5.1
- Operating Temperature Range: -20°C(-4°F) to a maximum of +45°C(+113°F)
- Long life—50,000 hours
- Compatible with most instant start, rapid start T8 electronic ballasts and some emergency and dimming ballasts\*
- Approved for use with tube guards when operated on Low or Normal ballast factor systems

\*May not be compatible with all IS, RS, DM and EM ballasts. Visit [www.satco.com](http://www.satco.com) for an approved list.



Size	WATTAGE	A		B		C		D	
		Min (inch)	Max (inch)	Min (inch)	Max (inch)	Min (inch)	Max (inch)	Min (inch)	Max (inch)
2 Foot	8W	—	23.21	23.40	23.50	23.67	23.78	0.98	1.02
3 Foot	10W	—	35.22	35.40	35.50	35.67	35.78	0.98	1.02
4 Foot	9.5W/11W/14W	—	47.22	47.40	47.50	47.67	47.78	0.98	1.02



Item	Description	W	Base	Finish	CCT	Lm	CRI	Beam	MOL (in)	Nominal (in)	Life (hrs.)	UPC	Pack
<b>2' LED 8W T8</b>													
S49946	8T8/LED/24-830/DR	8	G13	GLOSS WH	3000K	1250	82	210°	23.78	24.00	50K	045923499463	25
S49947	8T8/LED/24-835/DR	8	G13	GLOSS WH	3500K	1250	82	210°	23.78	24.00	50K	045923499470	25
S49948	8T8/LED/24-840/DR	8	G13	GLOSS WH	4000K	1250	82	210°	23.78	24.00	50K	045923499487	25
S49949	8T8/LED/24-850/DR	8	G13	GLOSS WH	5000K	1250	82	210°	23.78	24.00	50K	045923499494	25
<b>3' LED 10W T8</b>													
S49990	10T8/LED/36-830/DR	10	G13	GLOSS WH	3000K	1450	82	210°	35.78	36.00	50K	045923499906	25
S49991	10T8/LED/36-835/DR	10	G13	GLOSS WH	3500K	1450	82	210°	35.78	36.00	50K	045923499913	25
S49992	10T8/LED/36-840/DR	10	G13	GLOSS WH	4000K	1450	82	210°	35.78	36.00	50K	045923499920	25
S49993	10T8/LED/36-850/DR	10	G13	GLOSS WH	5000K	1450	82	210°	35.78	36.00	50K	045923499937	25
<b>4' LED 9.5W T8</b>													
S11740	9.5/T8/LED/48-830/DR	9.5	G13	GLOSS WH	3000K	1740	82	210°	47.78	48.00	50K	045923117404	25
S11741	9.5/T8/LED/48-835/DR	9.5	G13	GLOSS WH	3500K	1740	82	210°	47.78	48.00	50K	045923117411	25
S11742	9.5/T8/LED/48-840/DR	9.5	G13	GLOSS WH	4000K	1740	82	210°	47.78	48.00	50K	045923117428	25
S11743	9.5/T8/LED/48-850/DR	9.5	G13	GLOSS WH	5000K	1740	82	210°	47.78	48.00	50K	045923117435	25
<b>4' LED 11W T8</b>													
S49934	11/T8/LED/48-830/DR	11	G13	GLOSS WH	3000K	1800	82	210°	47.78	48.00	50K	045923499340	25
S49935	11/T8/LED/48-835/DR	11	G13	GLOSS WH	3500K	1800	82	210°	47.78	48.00	50K	045923499357	25
S49936	11/T8/LED/48-840/DR	11	G13	GLOSS WH	4000K	1800	82	210°	47.78	48.00	50K	045923499364	25
S49937	11/T8/LED/48-850/DR	11	G13	GLOSS WH	5000K	1800	82	210°	47.78	48.00	50K	045923499371	25
<b>4' LED 14W T8</b>													
S49975	14/T8/LED/48-830/DR	14	G13	GLOSS WH	3000K	2200	82	210°	47.78	48.00	50K	045923499753	25
S49976	14/T8/LED/48-835/DR	14	G13	GLOSS WH	3500K	2200	82	210°	47.78	48.00	50K	045923499760	25
S49977	14/T8/LED/48-840/DR	14	G13	GLOSS WH	4000K	2200	82	210°	47.78	48.00	50K	045923499777	25
S49978	14/T8/LED/48-850/DR	14	G13	GLOSS WH	5000K	2200	82	210°	47.78	48.00	50K	045923499784	25

Product sheet SA2756