

PRODUCT SPECIFICATIONS

ITEM NO.	MODEL NO.	RUNNING AMPS		HP	kW	VOLTS	FREQUENCY	NET WEIGHT	
		50Hz	60Hz					lbs.	kg
1203730	2x120R-90BQ6	16	20	4	3	230	50/60 Hz	270	123

SOUND LEVEL 80 db(A) /1m

NORMAL AMBIENT 5-40 °C / 40-104 °F

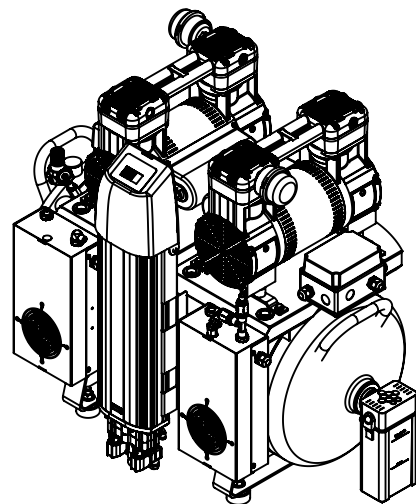
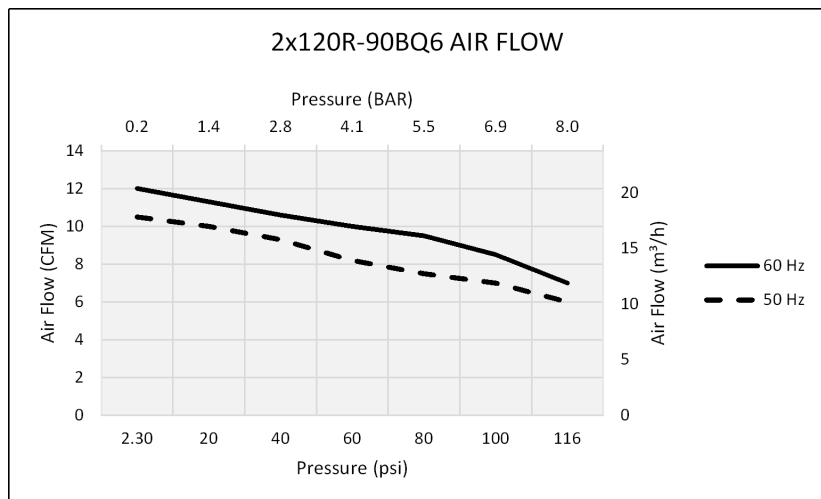
RELATIVE HUMIDITY 20-80% NON CONDENSING

ENVIRONMENT CLEAN / DUST FREE

NOTES:

1. PRESSURE SWITCH SET TO CUT-IN AT 87 PSI & CUT-OUT AT 116 PSI.
2. PRODUCT PERFORMANCE MAY VARY $\pm 10\%$ IN STANDARD PRODUCTION.
3. TECHNICAL DATA SUBJECT TO CHANGE WITHOUT NOTICE.
4. ALL DIMENSIONS ARE FOR REFERENCE ONLY.
5. FOR INDOOR USE ONLY

PRODUCT PERFORMANCE:



PRODUCT DIMENSIONS:

