

Product Specifications

Part Numbers Information

Electrical Specifications

Voltage Rating: 250VAC/DC

Operating Temperature: -55°C ~ 125°C

Standards

300mA-15A

Tested to UL 248-14 Standard. File E197390

Tested to CSA C22.2 No.248.14 Standard. File E197390



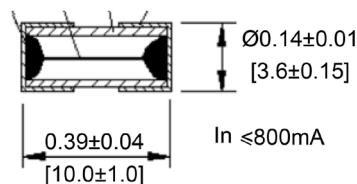
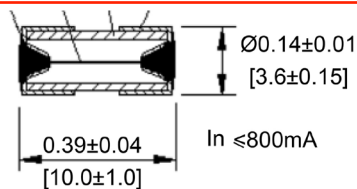
Interrupting Rating

50A @ 250VAC (32mA-15A)

Material Specifications

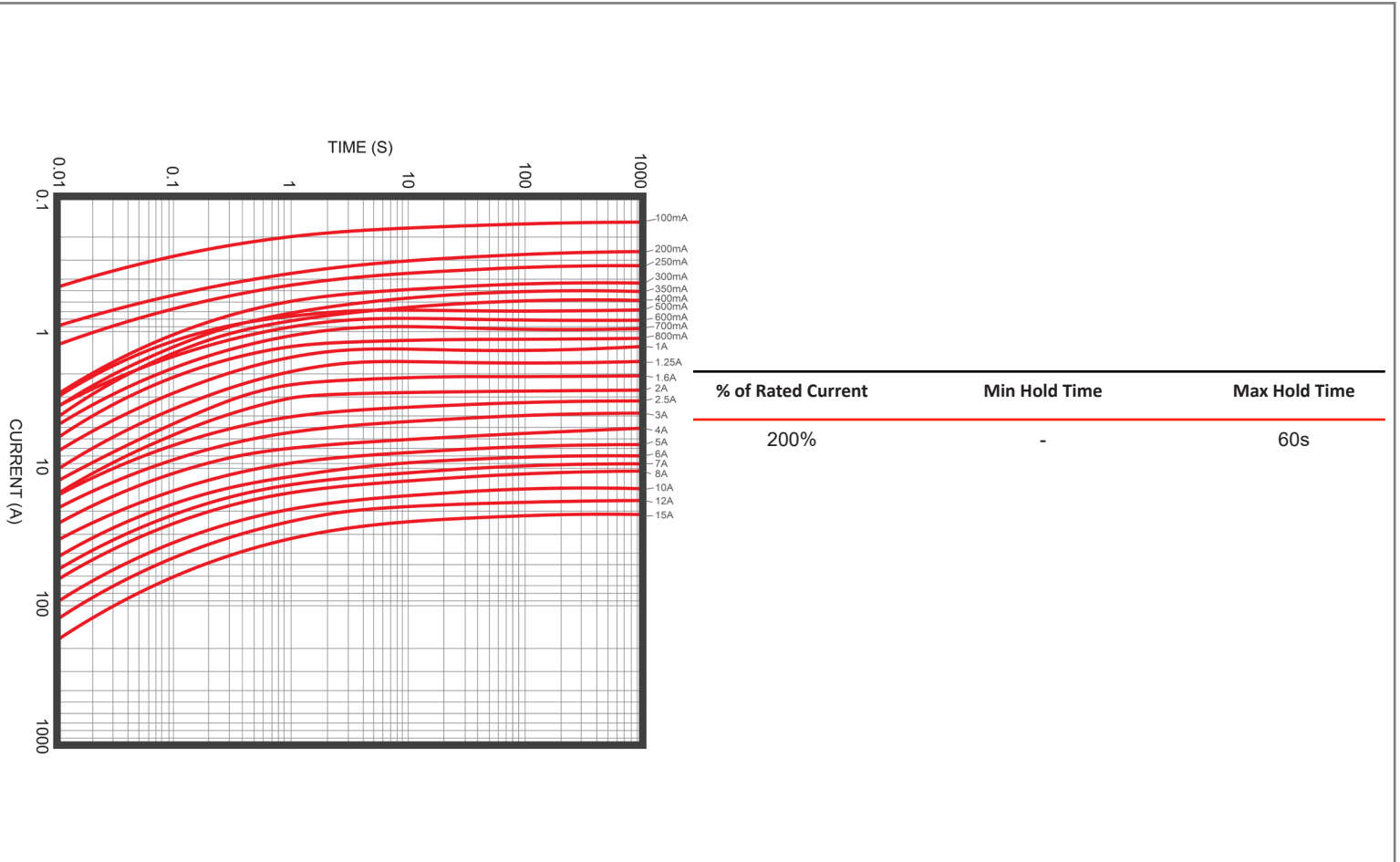
Body Material: Ceramic

Mechanical Dimensions: Inches [mm]

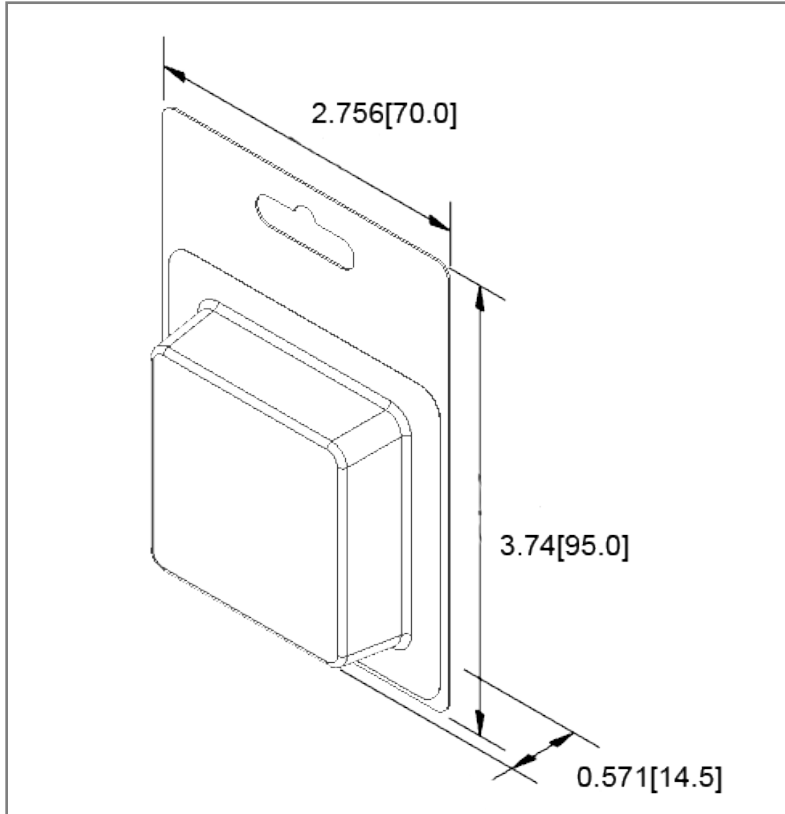


Cartridge P/N	Axial Lead P/N	Ampere Rating
FCF-300mA	FCF-P-300mA	300mA
FCF-315mA	FCF-P-315mA	315mA
FCF-350mA	FCF-P-350mA	350mA
FCF-375mA	FCF-P-375mA	375mA
FCF-400mA	FCF-P-400mA	400mA
FCF-500mA	FCF-P-500mA	500mA
FCF-600mA	FCF-P-600mA	600mA
FCF-630mA	FCF-P-630mA	630mA
FCF-700mA	FCF-P-700mA	700mA
FCF-750mA	FCF-P-750mA	750mA
FCF-800mA	FCF-P-800mA	800mA
FCF-1A	FCF-P-1A	1A
FCF-1.2A	FCF-P-1.2A	1.2A
FCF-1.25A	FCF-P-1.25A	1.25A
FCF-1.5A	FCF-P-1.5A	1.5A
FCF-1.6A	FCF-P-1.6A	1.6A
FCF-2A	FCF-P-2A	2A
FCF-2.5A	FCF-P-2.5A	2.5A
FCF-3A	FCF-P-3A	3A
FCF-3.15A	FCF-P-3.15A	3.15A
FCF-3.5A	FCF-P-3.5A	3.5A
FCF-4A	FCF-P-4A	4A
FCF-5A	FCF-P-5A	5A
FCF-6A	FCF-P-6A	6A
FCF-6.3A	FCF-P-6.3A	6.3A
FCF-7A	FCF-P-7A	7A
FCF-8A	FCF-P-8A	8A
FCF-9A	FCF-P-9A	9A
FCF-10A	FCF-P-10A	10A
FCF-12A	FCF-P-12A	12A
FCF-15A	FCF-P-15A	15A

Time vs Percent of Rated Current



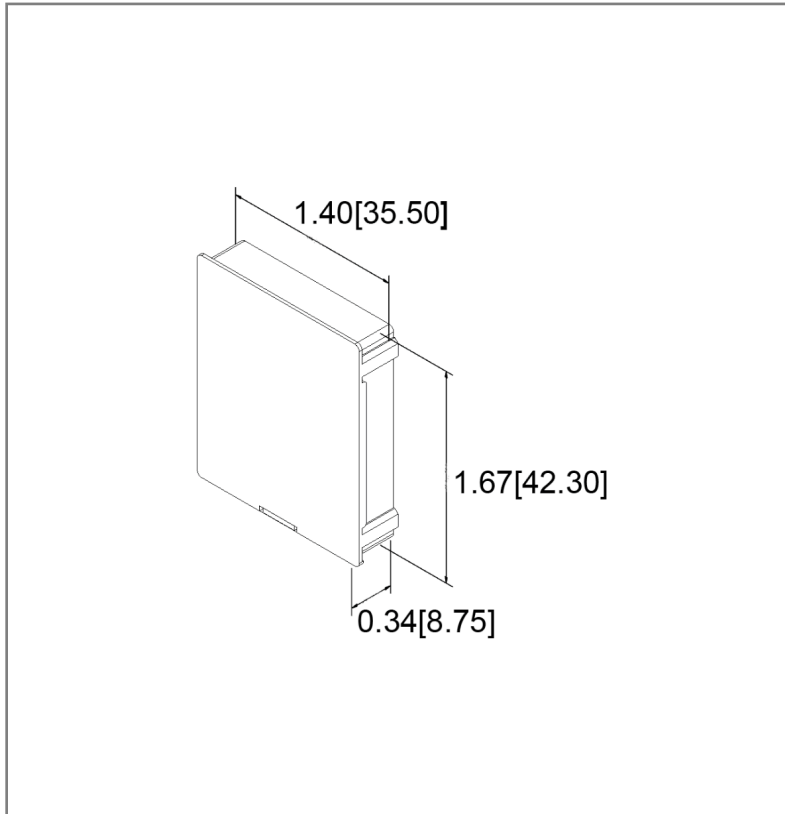
Blister Pack: Inches [mm]



Retail Pack Part Number Information

Ampere Rating	Retail Pack # Blister Card (5PCS)	Retail Pack # Pill Box (5PCS)
1A	FCF-1A-BP	FCD-1A-BX
3A	FCF-3A-BP	FCD-3A-BX

Pill Box: Inches [mm]



* Retail packs are for cartridge style fuses only

Rev Date of issue Revision Notes

Designed Approved

D	12-11-2025	Updated Amperages	RC	OF
---	------------	-------------------	----	----