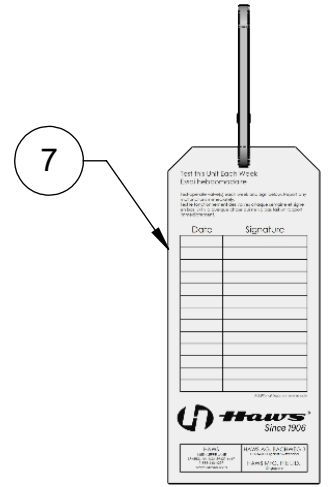
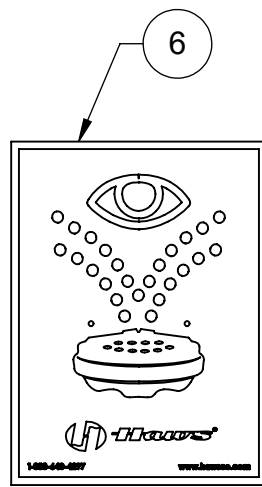
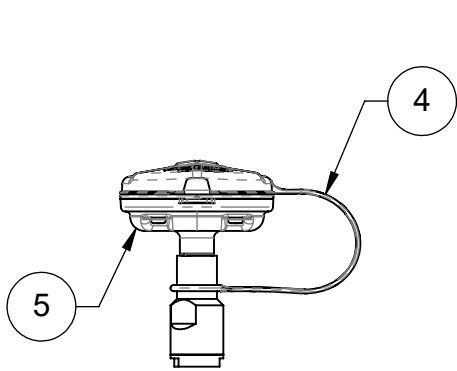
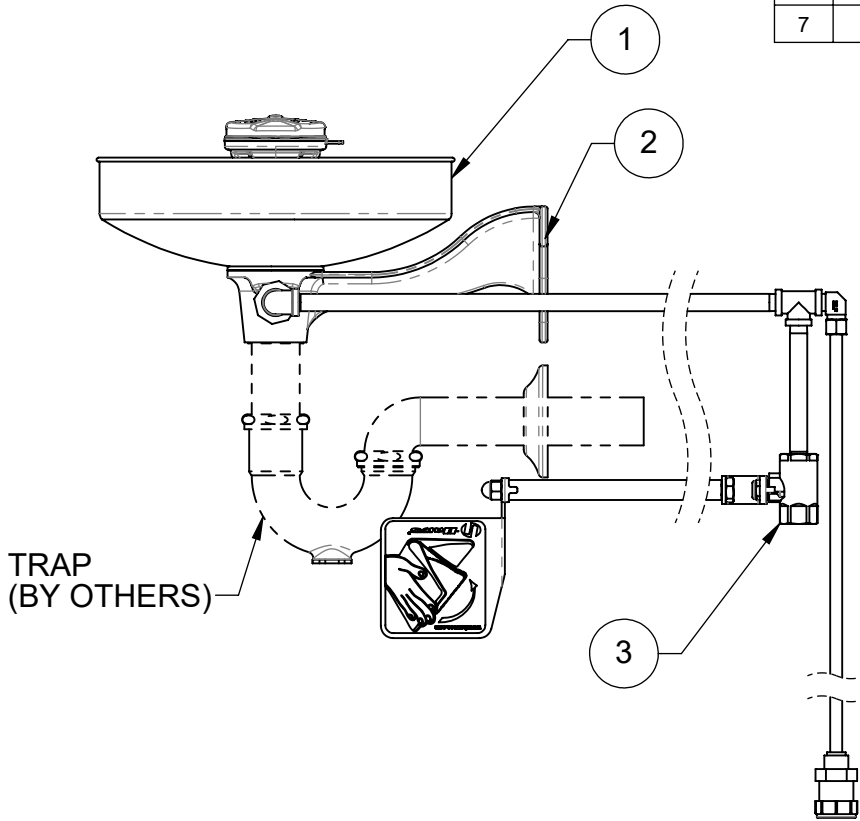


THIS DOCUMENT IS TRUE AND CORRECT AT TIME OF PUBLICATION. CONTINUED PRODUCT IMPROVEMENTS MAKE SPECIFICATIONS AND MEASUREMENTS SUBJECT TO CHANGE WITHOUT NOTICE.

ITEM	DESCRIPTION	PART NO.
1	EYEWASH BOWL	SP90
2	EYEWASH MOUNTING BRACKET	SP80
3	BALL VALVE WITH EXTENSION	SP402
4	AXION EYEWASH DUST COVER	9091
5	AXION EYE/FACE WASH	SP65CTFP
6	EYEWASH SIGN	SP175
7	TEST TAG	SP170



# PARTS BREAKDOWN

WHEN ORDERING PARTS, PLEASE SPECIFY PART NUMBER

		1455 KLEPPE LANE SPARKS, NEVADA 89431 (775) 359-4712 FAX (775) 359-7424 E-MAIL: HAWS@HAWSCO.COM WEBSITE: WWW.HAWSCO.COM	
ECN:	REV. ECN: 6264	BY: JU	MODEL(S):
DRAWN: TRF	DATE: 05/91	CHKD: DN	7433FP EYE/FACE WASH FREEZE RESISTANT
APPROVED: JU	DATE: 12/19/25	SCALE: 1:6	DRAWING TYPE: PARTS BREAKDOWN
			PART NUMBER: 0002080048
			REVISION: 18
			SIZE: A SHEET 1 OF 1