



KT-LEDXXRD-XC-9CSF-DIM-G-X

DOWNLIGHT RETROFIT GIMBAL TRIM

DESCRIPTION

Downlight Retrofit Gimbal Trim | Color Select Technology | Quick-Disconnect E26 Base

APPLICATION

Ideal for residential, hospitality, retail, and other retrofit and new construction applications



PRODUCT FEATURES

- Keystone Color Select technology (2700/3000/3500/4000/5000K)
- Includes quick-disconnect E26 base adaptor for easy screw-in installation
- Offers improved aesthetics vs legacy trims
- Ideal for retrofit and remodel applications
- Smooth reflector trim offers clean, modern appearance
- Diffused lens for visual comfort and reduced glare
- Suitable for use in 4" and 6" recessed cans
- Smooth, uniform dimming
- Suitable for use in wet locations
- PF >0.95
- Ambient operating temperature: -4°F/-20°C to 104°F/40°C
- ETL Listed
- CEC Compliant Flicker Rate (CEC JA10 std.)
- Compliant with Part 15 of FCC

PRODUCT IMAGES



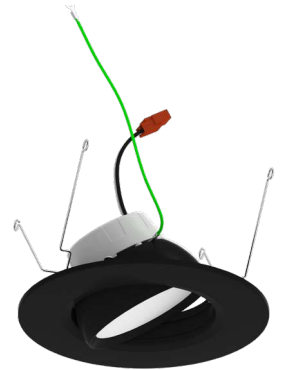
KT-LED8RD-4C-9CSF-DIM-G



KT-LED8RD-4C-9CSF-DIM-G-B



KT-LED11RD-6C-9CSF-DIM-G



KT-LED11RD-6C-9CSF-DIM-G-B



AVIVA



KT-LEDXXRD-XC-9CSF-DIM-G-X

DOWNLIGHT RETROFIT GIMBAL TRIM

PERFORMANCE SPECIFICATIONS - WHITE TRIM COLOR

Catalog Number	Input Voltage	Wattage	CCT (Selectable)*	Lumen Output	Efficacy	CRI	Power Factor	Beam Angle	Lifetime
KT-LED8RD-4C-9CSF-DIM-G	120V	8W	2700K	720	90 lm/W	> 90	> 0.9	95°	50,000 hrs
			3000K	750	94 lm/W				
			3500K	800	100 lm/W				
			4000K	810	101 lm/W				
			5000K	800	100 lm/W				
KT-LED11RD-6C-9CSF-DIM-G	120V	11W	2700K	1120	102 lm/W	> 90	> 0.9	95°	50,000 hrs
			3000K	1140	104 lm/W				
			3500K	1160	105 lm/W				
			4000K	1160	105 lm/W				
			5000K	1140	104 lm/W				

* Preset to lowest CCT: 2700K

Color Uniformity: CCT (Correlated Color Temperature) range as per guidelines outlined in ANSI C78.377-2017

PERFORMANCE SPECIFICATIONS - BLACK TRIM COLOR

Catalog Number	Input Voltage	Wattage	CCT (Selectable)*	Lumen Output	Efficacy	CRI	Power Factor	Beam Angle	Lifetime
KT-LED8RD-4C-9CSF-DIM-G-B	120V	8W	2700K	720	90 lm/W	> 90	> 0.9	95°	50,000 hrs
			3000K	730	91 lm/W				
			3500K	750	93 lm/W				
			4000K	750	94 lm/W				
			5000K	770	96 lm/W				
KT-LED11RD-6C-9CSF-DIM-G-B	120V	11W	2700K	1050	95 lm/W	> 90	> 0.9	95°	50,000 hrs
			3000K	1070	97 lm/W				
			3500K	1090	99 lm/W				
			4000K	1090	99 lm/W				
			5000K	1070	97 lm/W				

* Preset to lowest CCT: 2700K

Color Uniformity: CCT (Correlated Color Temperature) range as per guidelines outlined in ANSI C78.377-2017



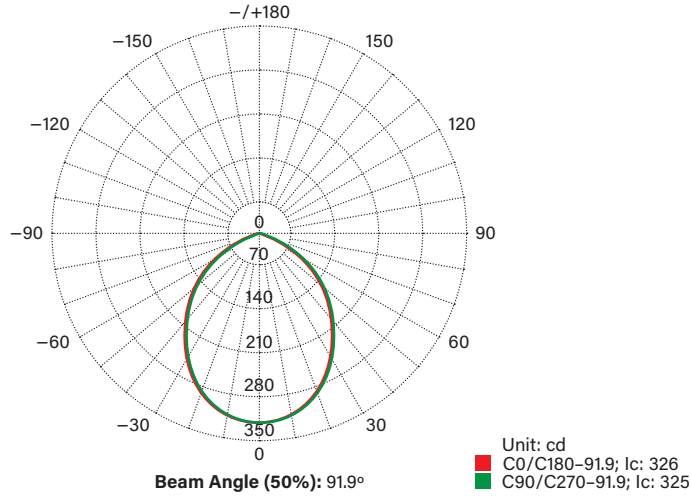
KT-LEDXXRD-XC-9CSF-DIM-G-X

DOWNLIGHT RETROFIT GIMBAL TRIM

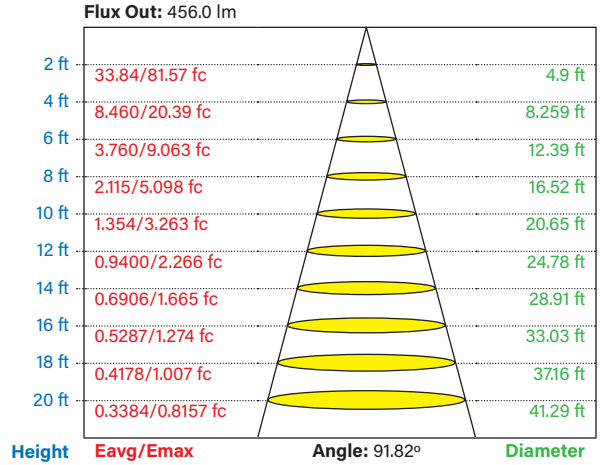
PHOTOMETRIC SPECIFICATIONS

KT-LED8RD-4C-9CSF-DIM-G

POLAR CANDELA DISTRIBUTION



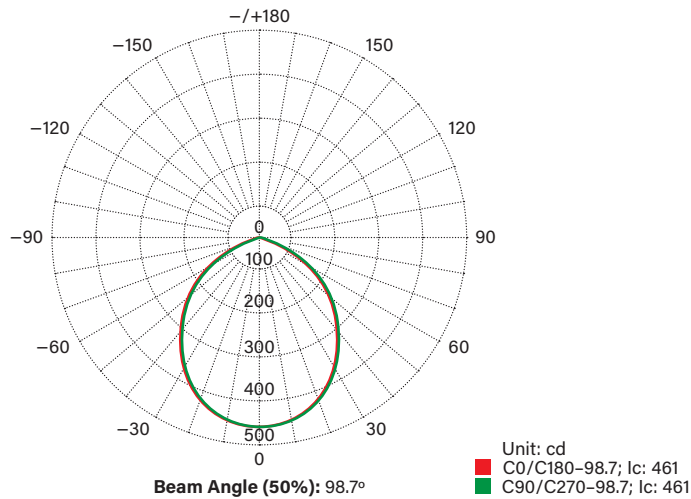
LUX DISTANCE CURVE



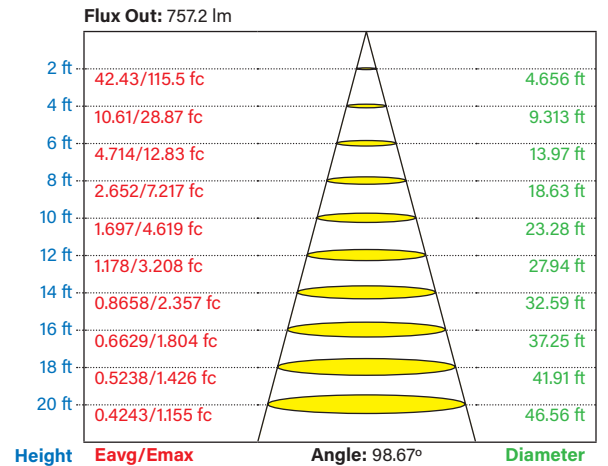
Curves show illuminated area and average illumination when lamp is at various distances.

KT-LED11RD-6C-9CSF-DIM-G

POLAR CANDELA DISTRIBUTION



LUX DISTANCE CURVE



Curves show illuminated area and average illumination when lamp is at various distances.

(Photometric Specifications continued on next page)



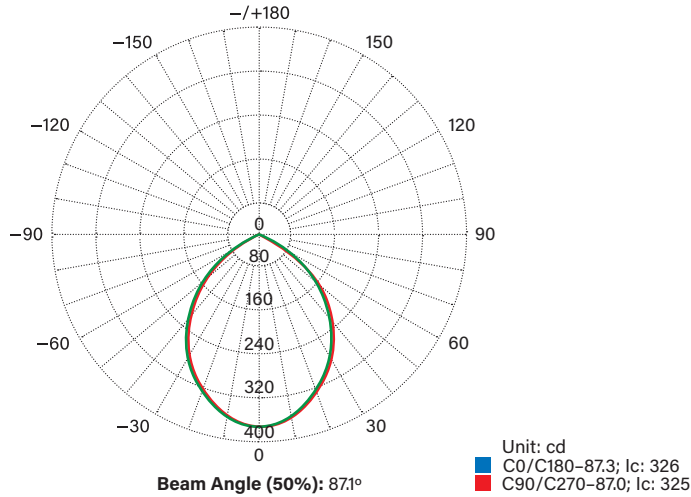
KT-LEDXXRD-XC-9CSF-DIM-G-X

DOWNLIGHT RETROFIT GIMBAL TRIM

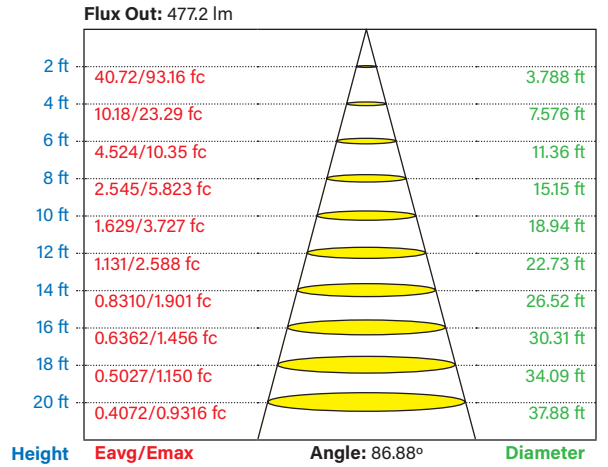
PHOTOMETRIC SPECIFICATIONS (CONTINUED)

KT-LED8RD-4C-9CSF-DIM-G-B

POLAR CANDELA DISTRIBUTION



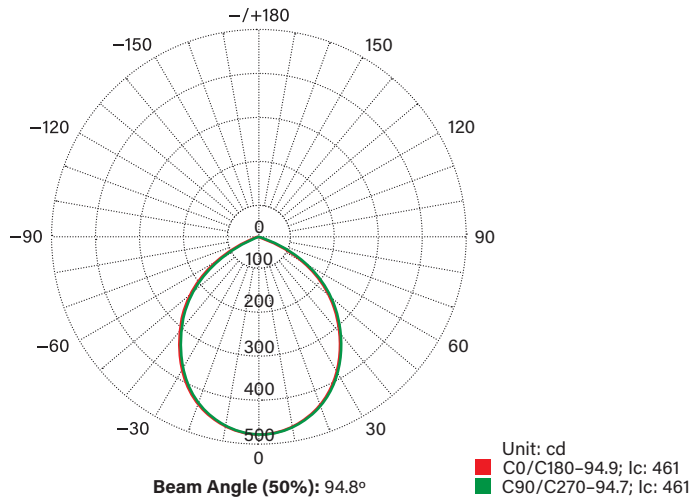
LUX DISTANCE CURVE



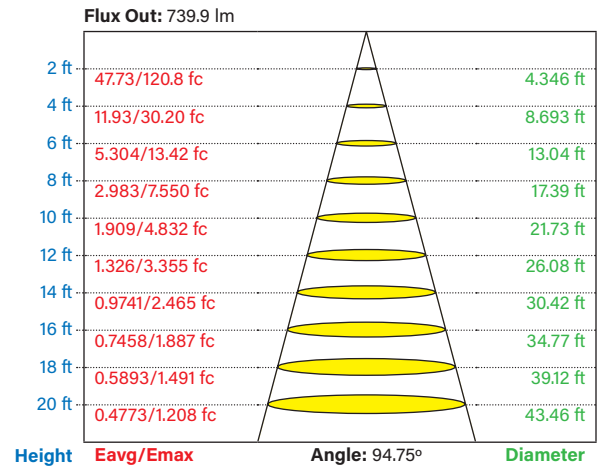
Curves show illuminated area and average illumination when lamp is at various distances.

KT-LED11RD-6C-9CSF-DIM-G-B

POLAR CANDELA DISTRIBUTION



LUX DISTANCE CURVE



Curves show illuminated area and average illumination when lamp is at various distances.

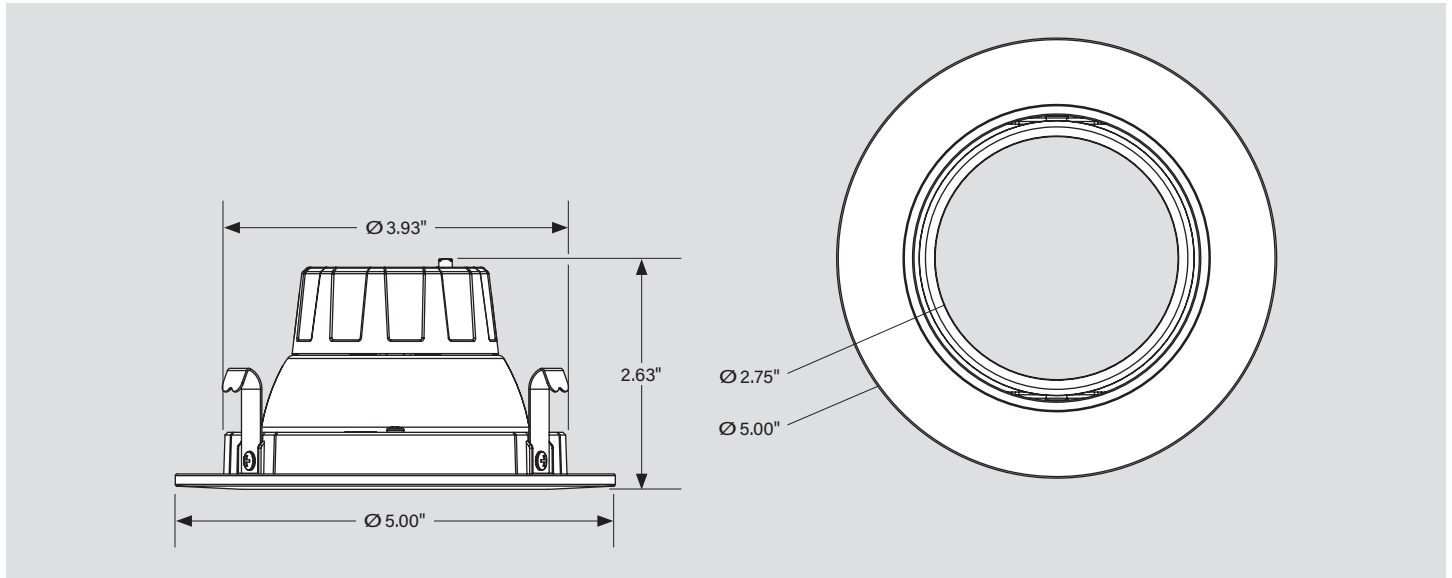


KT-LEDXXRD-XC-9CSF-DIM-G-X

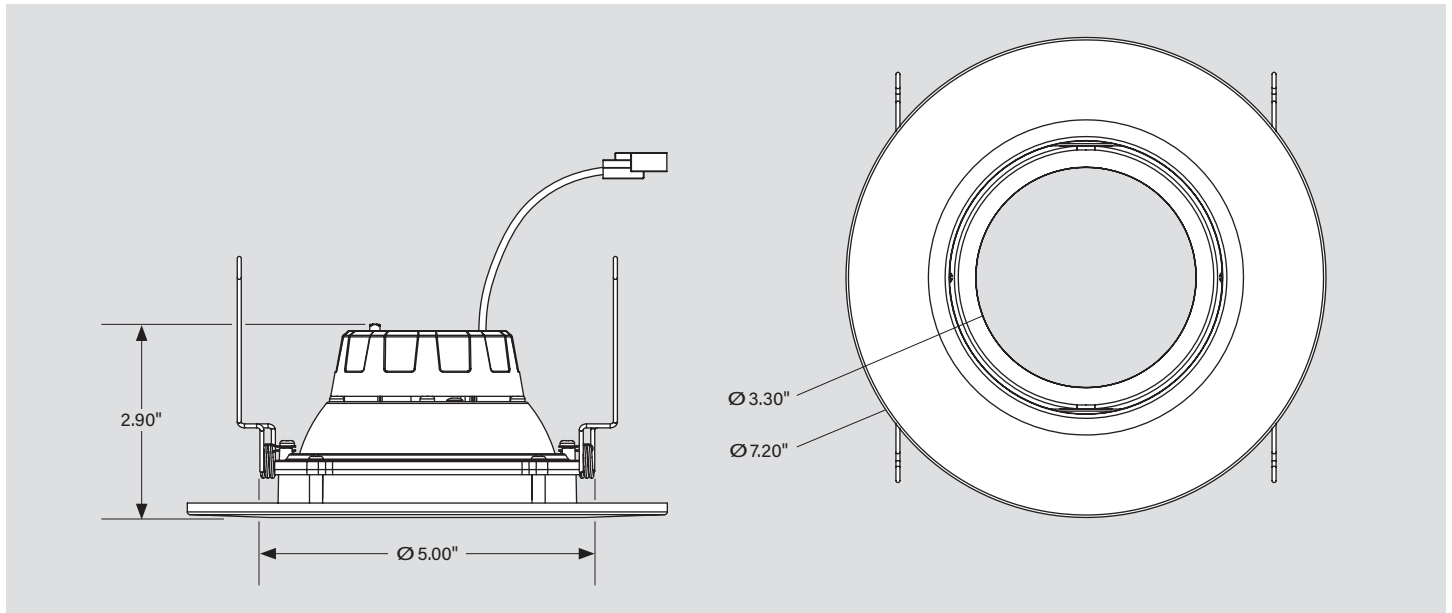
DOWNLIGHT RETROFIT GIMBAL TRIM

PHYSICAL SPECIFICATIONS

KT-LED8RD-4C-9CSF-DIM-G-X



KT-LED11RD-6C-9CSF-DIM-G-X





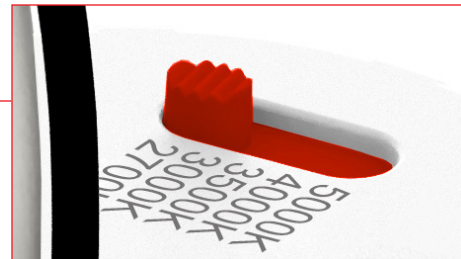
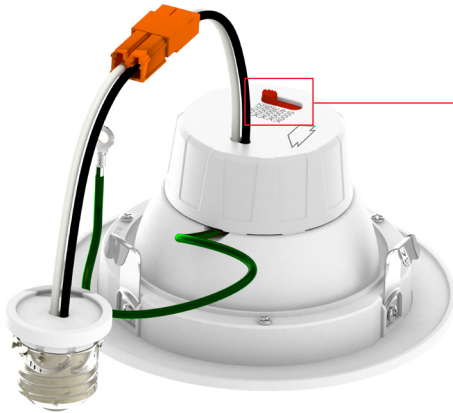
KT-LEDXXRD-XC-9CSF-DIM-G-X

DOWNLIGHT RETROFIT GIMBAL TRIM

COLOR SELECT (CCT) ADJUSTMENT

This fixture is equipped with field-adjustable Keystone Color Select technology.

1. Ensure power is off to the fixture.
2. Adjust dip switch to desired setting.



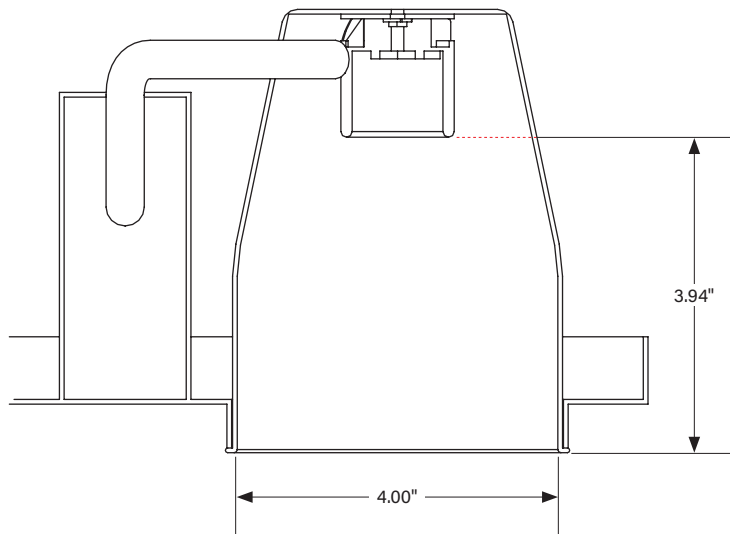
COLOR SELECT ADJUSTMENT SWITCH

Set dip switch to adjust CCT between 2700K, 3000K, 3500K, 4000K, and 5000K. Fixture comes preset at 2700K.

INSTALLATION INSTRUCTIONS

KT-LED8RD-4C-9CSF-DIM-G-X

The existing luminaire housing must be equal to or larger than over-all inner dimensions illustrated below.



(Installation Instructions continued on next page)



AVIVA



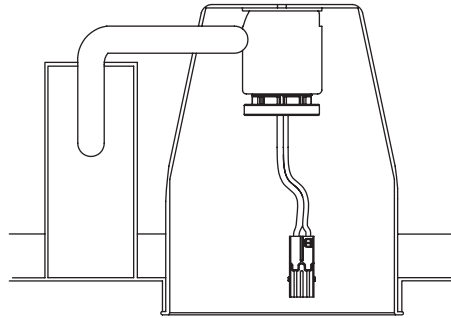
KT-LEDXXRD-XC-9CSF-DIM-G-X DOWNLIGHT RETROFIT GIMBAL TRIM

INSTALLATION INSTRUCTIONS (CONTINUED)

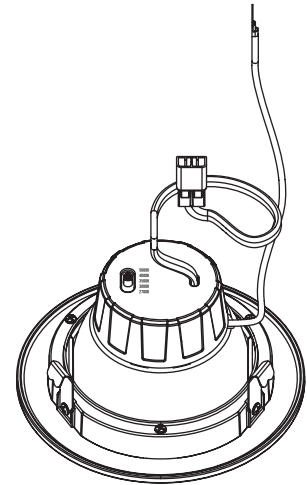
- 1. Shut off power at the source of the recessed housing into which you are installing fixture.** Remove existing trim and CFL or incandescent bulb.

Note: Follow all federal and local regulations when disposing of lamps and removed components.

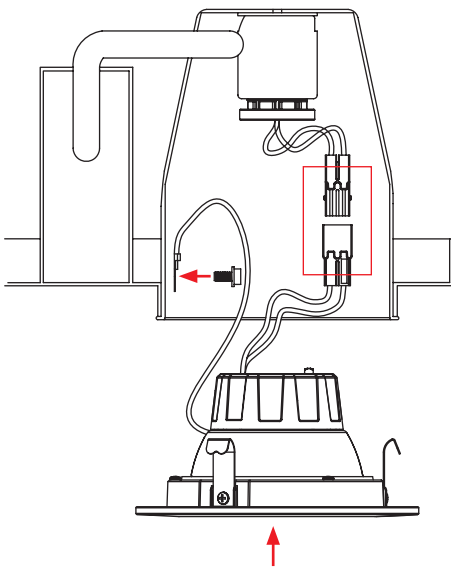
- 2. Screw the E26 adaptor into the socket inside the housing.**



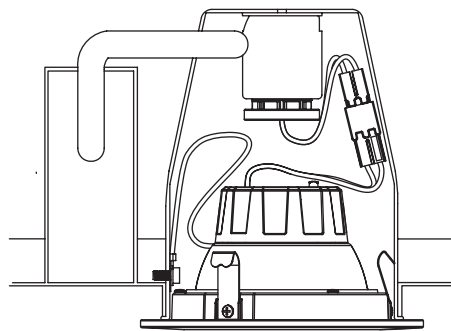
- 3. Select desired CCT using adjustment switch on driver box (see *Color Select (CCT) Adjustment* on page 3).**



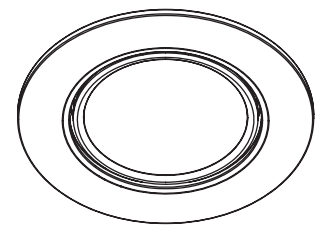
- 4. Plug E26 base cable connection into the recessed housing kit, ensuring that kit is grounded.**



- 5. Carefully route wires into fixture, sliding the trim and friction clips into the housing for a tight fit.**



- 6. Push recessed kit up until trim is flush with ceiling. Restore power to the fixture.**



(Installation Instructions continued on next page)

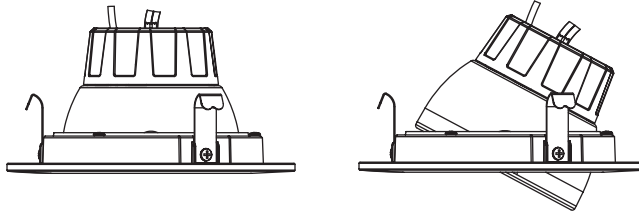


KT-LEDXXRD-XC-9CSF-DIM-G-X

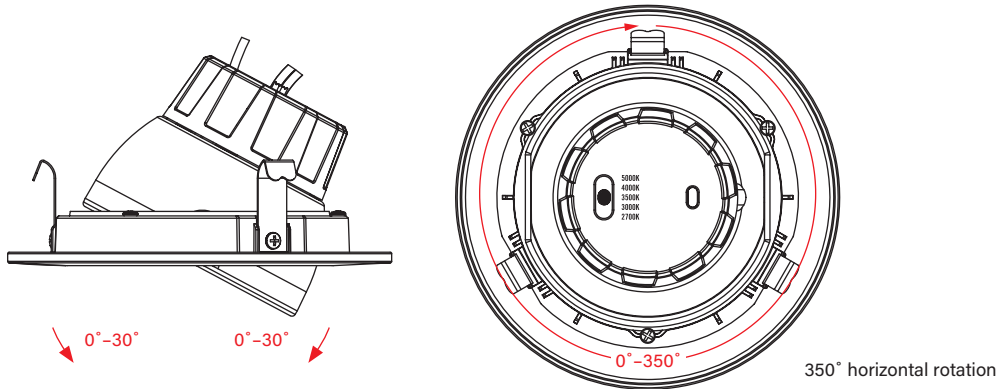
DOWNLIGHT RETROFIT GIMBAL TRIM

INSTALLATION INSTRUCTIONS (CONTINUED)

7. Push the edge of the bezel to tilt lens vertically and rotate lens assembly horizontally towards the surface to be illuminated.

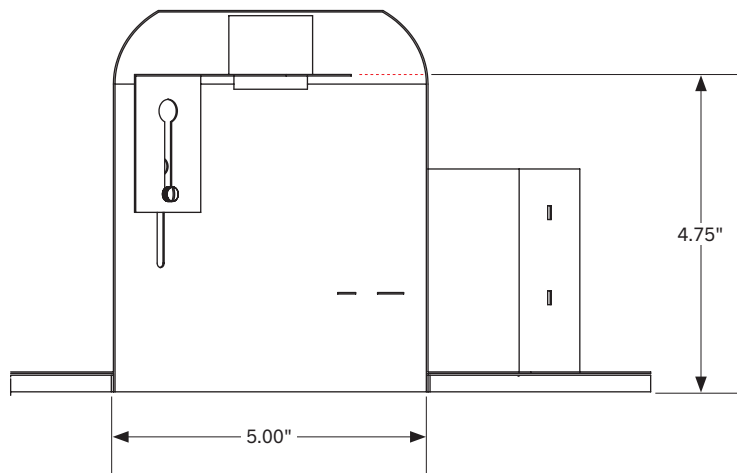


GIMBAL FEATURES



KT-LED11RD-6C-9CSF-DIM-G-X

The existing luminaire housing must be equal to or larger than over-all inner dimensions illustrated below.



(Installation Instructions continued on next page)



KT-LEDXXRD-XC-9CSF-DIM-G-X

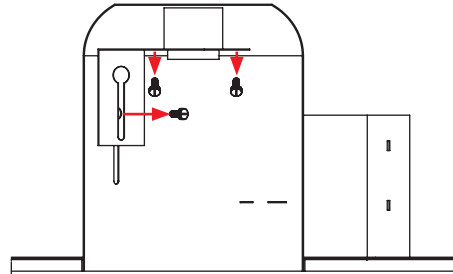
DOWNLIGHT RETROFIT GIMBAL TRIM

INSTALLATION INSTRUCTIONS (CONTINUED)

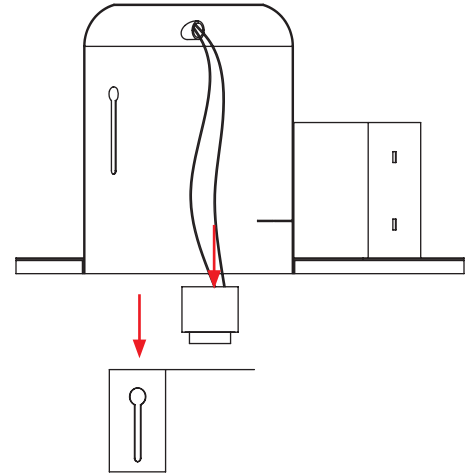
1. Shut off power at the source of the recessed housing into which you are installing fixture. Remove existing trim and CFL or incandescent bulb.

Note: Follow all federal and local regulations when disposing of lamps and removed components.

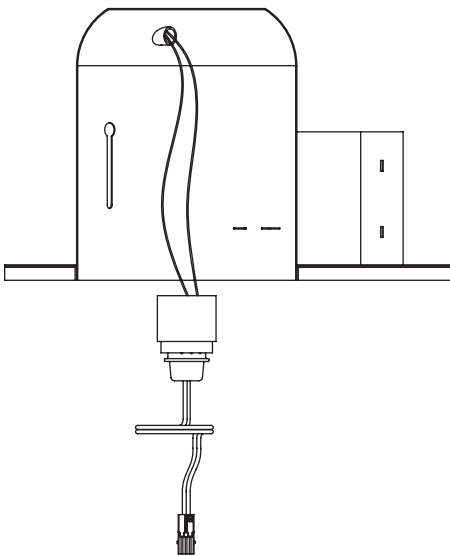
2. Unscrew the screws on socket bracket; push bracket upward to the top.



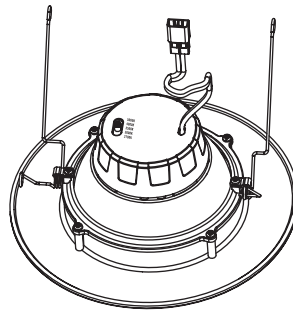
3. Remove existing socket mounting plate from the housing, then remove lamp socket from the plate.



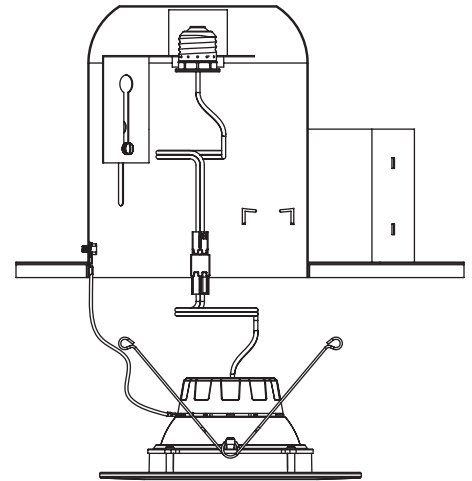
4. Screw E26 adaptor into the socket.



5. Select desired CCT using adjustment switch on driver box (see *Color Select (CCT) Adjustment* on page 3).



6. Plug E26 base cable connection into the recessed housing, ensuring that kit is grounded.

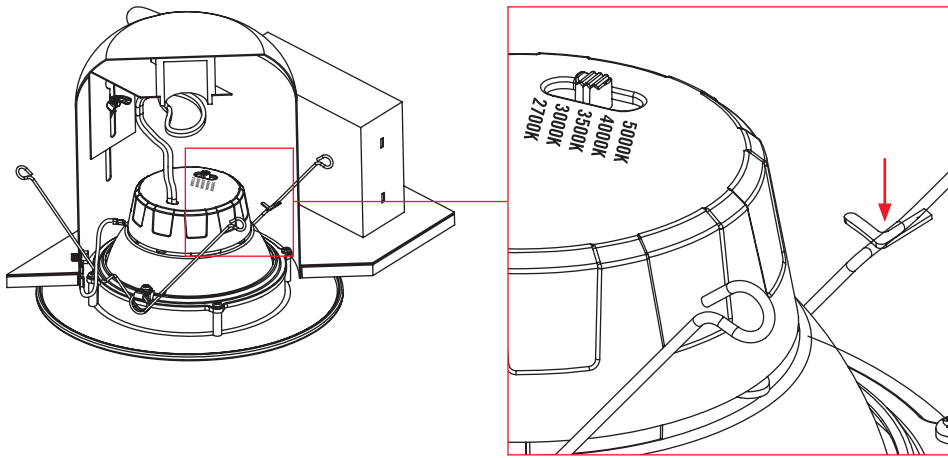


(Installation Instructions continued on next page)

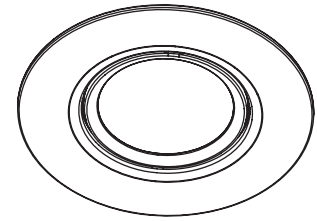
KT-LEDXXRD-XC-9CSF-DIM-G-X
 DOWNLIGHT RETROFIT GIMBAL TRIM

INSTALLATION INSTRUCTIONS (CONTINUED)

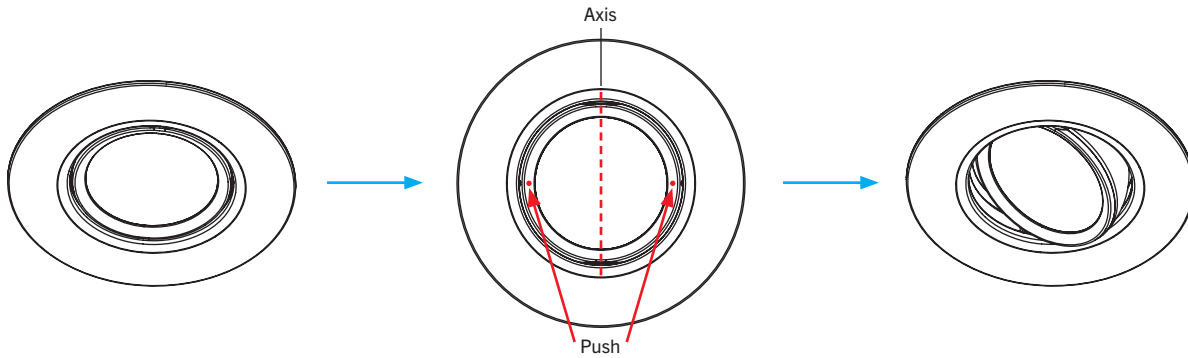
7. Squeeze torsion springs together as shown and install into torsion spring brackets inside recessed housing. For proper installation, the torsion springs should be seated within the brackets and on both sides of the housing.



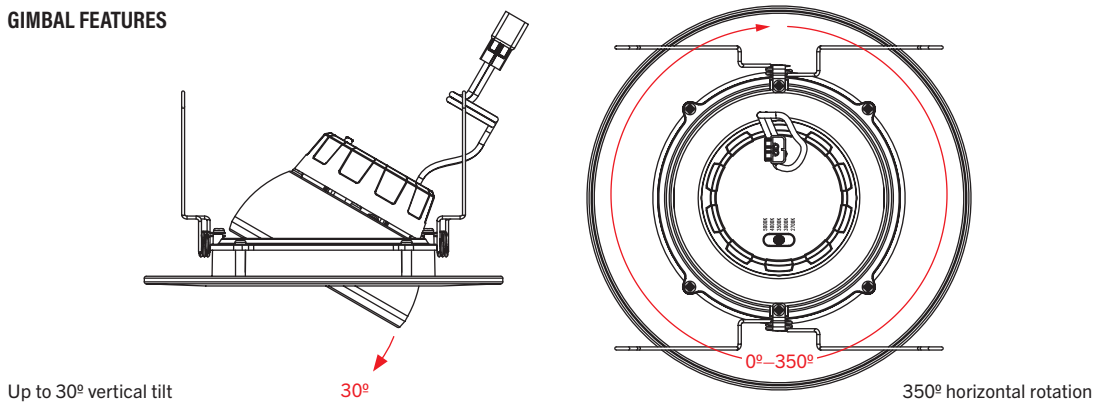
8. Carefully route wires into fixture and push recessed kit up flush to ceiling surface.



9. Push the edge of the bezel to tilt lens vertically and rotate lens assembly horizontally towards the surface to be illuminated.



GIMBAL FEATURES





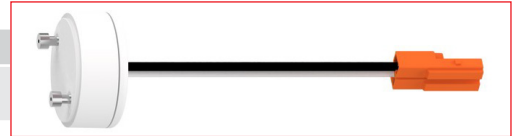
KT-LEDXXRD-XC-9CSF-DIM-G-X

DOWNLIGHT RETROFIT GIMBAL TRIM

OPTIONAL ACCESSORIES (SOLD SEPARATELY)

GU24 ADAPTOR

Catalog Number	Description	UPC	Easy Code
KT-ADPT-RD-GU24	GU24 Adaptor for downlight retrofit trim	843654137568	WTQ-04



TORSION-SPRING ADAPTOR

Catalog Number	Description	UPC	Easy Code
KT-ADPT-RD-6C-TS	Torsion-spring adaptor for 5" / 6" downlight retrofit gimbal trim	843654137667	GGR-44



ORDERING INFORMATION

Catalog Number	UPC	Easy Code	Energy Star ID
KT-LED8RD-4C-9CSF-DIM-G	843654137476	FKR-02	3555649
KT-LED8RD-4C-9CSF-DIM-G-B	843654166766	RKQ-88	3942826
KT-LED11RD-6C-9CSF-DIM-G	843654137483	PLO-50	3549957
KT-LED11RD-6C-9CSF-DIM-G-B	843654166773	COZ-86	3942827

CATALOG NUMBER BREAKDOWN

KT-LEDXXRD-XC-9CSF-DIM-G-X

1	2	3	4	5	6	7	8	9	10	11	12
1 Keystone Technologies	2 LED Technology	3 Wattage	4 Fixture Type	5 Nominal Size	6 Shape	7 CRI					
			RD Recessed Downlight	4 4" Nominal	C Circular	9 90					
				6 6" Nominal							
				9 Color Select Designation		12 Housing Color					
				F 2700/3000/3500/4000/5000K		White					
						B Black					
8 Color Select	9 Color Select Designation	10 TRIAC Dimming	11 Gimbal Construction	12 Housing Color							