

## PRODUCT SPECIFICATIONS

MODEL NO.	MOTOR	RPM		RUNNING AMPS		STARTING AMPS (0-500 RPM)		HP	kW	NET WT.		CAPACITOR	
		60HZ	50HZ.	60HZ	50HZ.	60HZ	50HZ.			lbs.	kg	mfd.	VOLT
1HAB-25-M100X	115	1725		-----	-----	-----	-----	1/6	.12	17	7.7	-----	-----

**NOTES:**

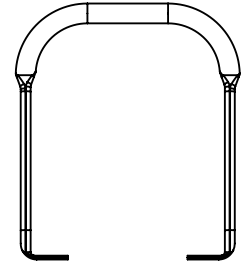
1. ALL DIMENSIONS ARE IN U.S. IMPERIAL (inches), METRIC (mm).
2. ALL DIMENSIONS ARE FOR REFERENCE ONLY.
3. TECHNICAL DATA SUBJECT TO CHANGE WITHOUT NOTICE
4. #18 GA. 10' LONG CORD, SWITCH & PLUG ASSEMBLY NEMA 5-15P PLUG & SINGL POLE SWITCH

**SOUND LEVEL** LESS THAN 70 dB(A)

**NORMAL AMBIENT** +5°C - +40°C

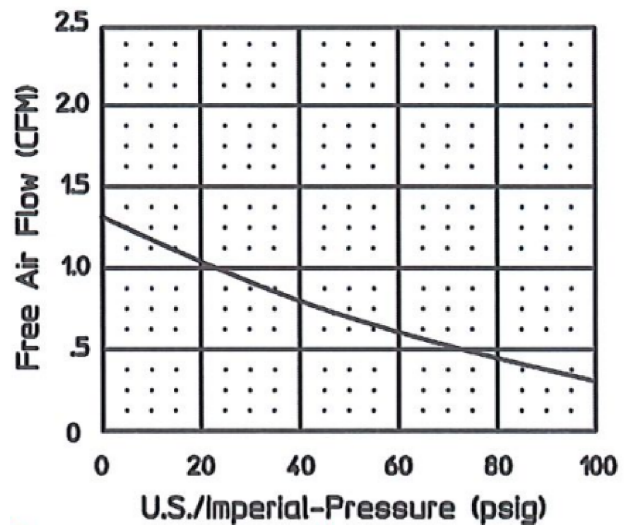
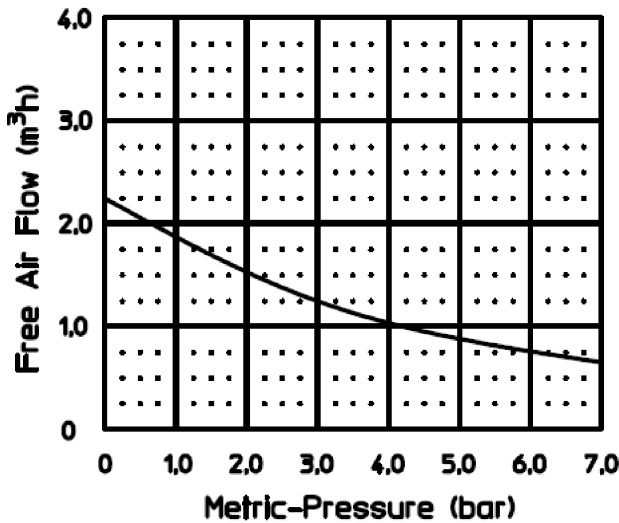
**RELATIVE HUMIDITY** 20% - 80%

**ENVIRONMENT** CLEAN DUST FREE

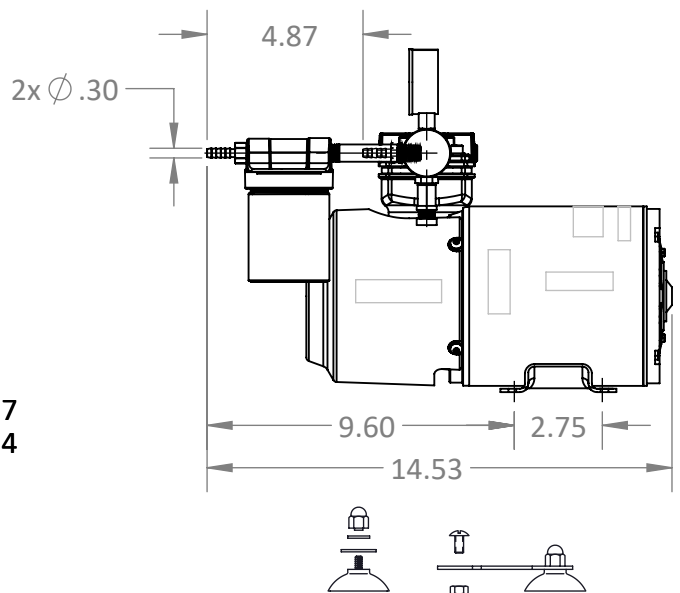
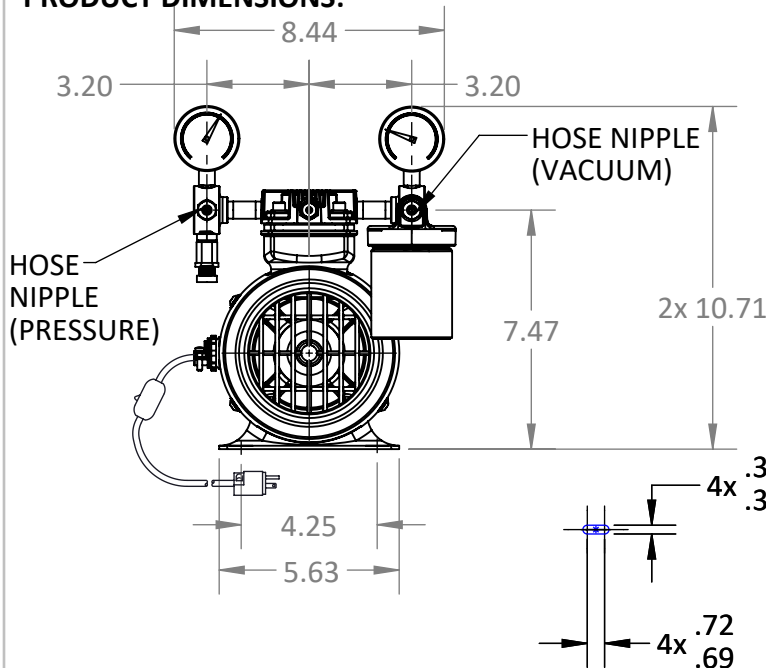


HANDLE

**PRODUCT PERFORMANCE:**



**PRODUCT DIMENSIONS:**



FOOT SUPPORT ASM.