



circuit breaker 3VA4 UL frame 125 breaking capacity class S 25kA @ 277 V 1-pole, line protection TM210, FTFM, In=30A overload protection Ir=30A fixed short-circuit protection li=10 x In clamp connection

| Model | |
|--|-----------------------------|
| product brand name | SETRON |
| product designation | Molded-case circuit breaker |
| product designation / according to UL file | SEAB |
| Product version | System protection |
| design of the load switch / according to UL 489 / Heating, Air Conditioning, and Refrigeration circuit breaker (HACR Type) | Yes |
| design of the load switch / according to UL 489 / High-Intensity-Discharge circuit breaker (HID Type) | Yes |
| design of the overcurrent release | TM210 |
| protection function of the overcurrent release | LI |
| number of poles | 1 |
| General technical data | |
| power loss [W] / maximum | 3 W |
| Active power loss / for rated value of the current / at AC / in hot operating state / per pole | 3 W |
| mechanical service life (switching cycles) / typical | 15 000 |
| electrical endurance (switching cycles) / at 480 V | 8 000 |
| electrical endurance (switching cycles) / at 600 V | 4 000 |
| Neutral conductors / upgradeable/retrofitable | No |
| ground-fault monitoring version | Without |
| product function | |
| • communication function | No |
| • other measurement function | No |
| Net Weight | 0.28 kg |
| Current | |
| marking / according to UL 489 / 100%-rated breaker | No |
| Max. rated operational current of the frame size | 125 A |
| Courant permanent assigné lu | 30 A |
| operational current | |
| • at 40 °C | 30 A |
| • at 45 °C | 29 A |
| • at 50 °C | 29 A |
| • at 55 °C | 28 A |
| • at 60 °C | 27 A |
| • at 65 °C | 27 A |
| • at 70 °C | 26 A |
| Switching capacity according to IEC 60947 | |
| switching capacity class of the circuit breaker | S |

| | | | |
|--|--|--|--------------|
| design of short-circuit protection | For switching power values in DC networks, see the 3VA molded case circuit breaker device manual; link to be found under Service & Support in the last chapter | | |
| Switching capacity according to UL 489 | | | |
| breaking capacity current | | | |
| <ul style="list-style-type: none"> at 120 V at 277 V at 347 V | | 65 kA | 25 kA |
| | | | 14 kA |
| Adjustable parameters | | | |
| Adjustable response value current / li min. | | 300 A | |
| Adjustable response value current / li max. | | 300 A | |
| Ground fault protection / tripping switchable / I2t=ON/OFF | | No | |
| Mechanical Design | | | |
| height [in] | | 5.1 in | |
| Height | | 129.4 mm | |
| width [in] | | 1 in | |
| Width | | 25.4 mm | |
| depth [in] | | 3 in | |
| depth | | 75.1 mm | |
| Connections | | | |
| arrangement of electrical connectors / for main current circuit | | Load side: Circular conductor terminal | |
| type of electrical connection / for main current circuit | | Infeed side: Low tab | |
| Type of connectable conductor cross-section, round conductor terminal, stranded | | 1 x (14 AWG - 8 AWG) | |
| design of the surface / of the connections / on the bottom of the switch (N, 2, 4, 6) | | Tin | |
| Auxiliary circuit | | | |
| number of CO contacts / for auxiliary contacts | | 0 | |
| Accessories | | | |
| product extension / optional / motor drive | | No | |
| Environmental conditions | | | |
| protection class IP / on the front | | IP40 | |
| ambient temperature | | | |
| <ul style="list-style-type: none"> during operation / minimum during operation / maximum during storage / minimum during storage / maximum | | -25 °C | 70 °C |
| | | -40 °C | 80 °C |
| Certificates | | | |
| reference code / according to IEC 81346-2 | | Q | |
| General Product Approval | | EMC | other |



[Miscellaneous](#)



[Miscellaneous](#)

other

[Miscellaneous](#)

Further information

Information- and Downloadcenter (Catalogs, Brochures,...)

<http://www.siemens.com/lowvoltage/catalogs>

Industry Mall (Online ordering system)

<https://mall.industry.siemens.com/mall/en/en/Catalog/product?mfb=3VA4130-4ED14-0AA0>

Service&Support (Manuals, Certificates, Characteristics, FAQs,...)

<https://support.industry.siemens.com/cs/ww/en/ps/3VA4130-4ED14-0AA0>

Image database (product images, 2D dimension drawings, 3D models, device circuit diagrams, ...)

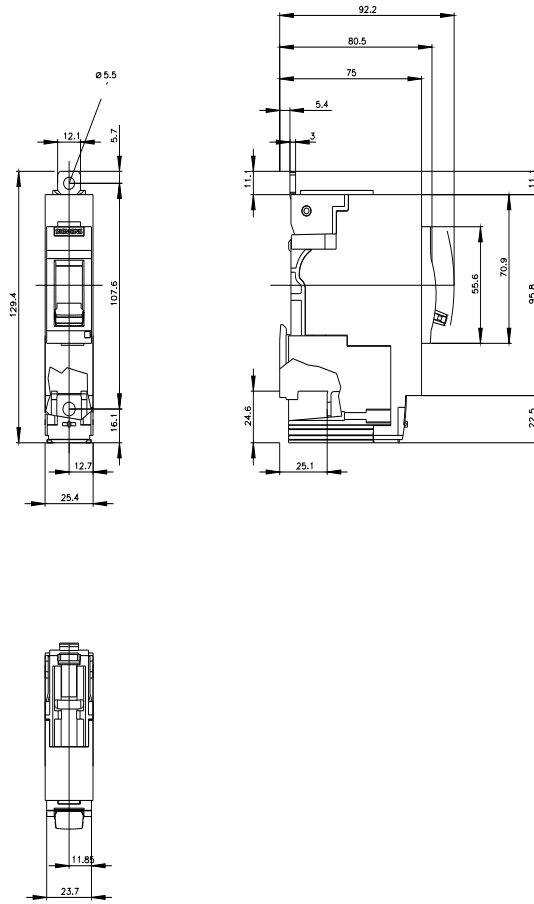
http://www.automation.siemens.com/bilddb/cax_en.aspx?mfb=3VA4130-4ED14-0AA0

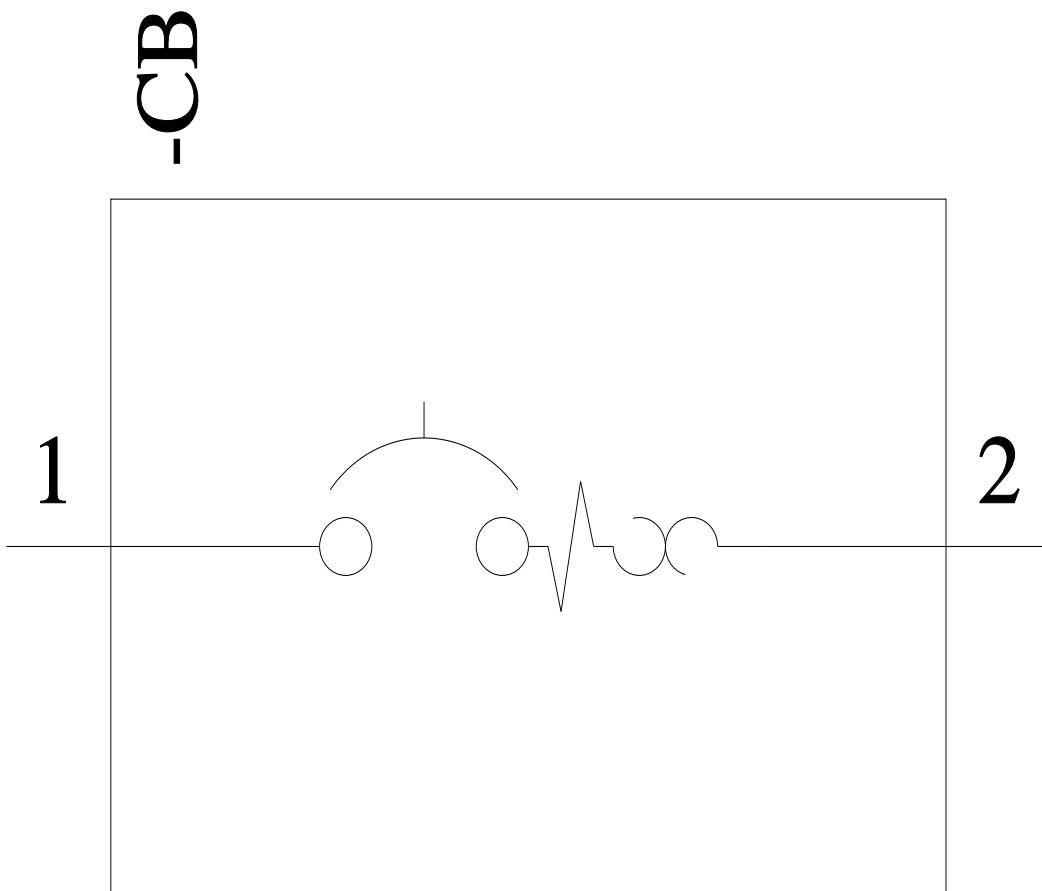
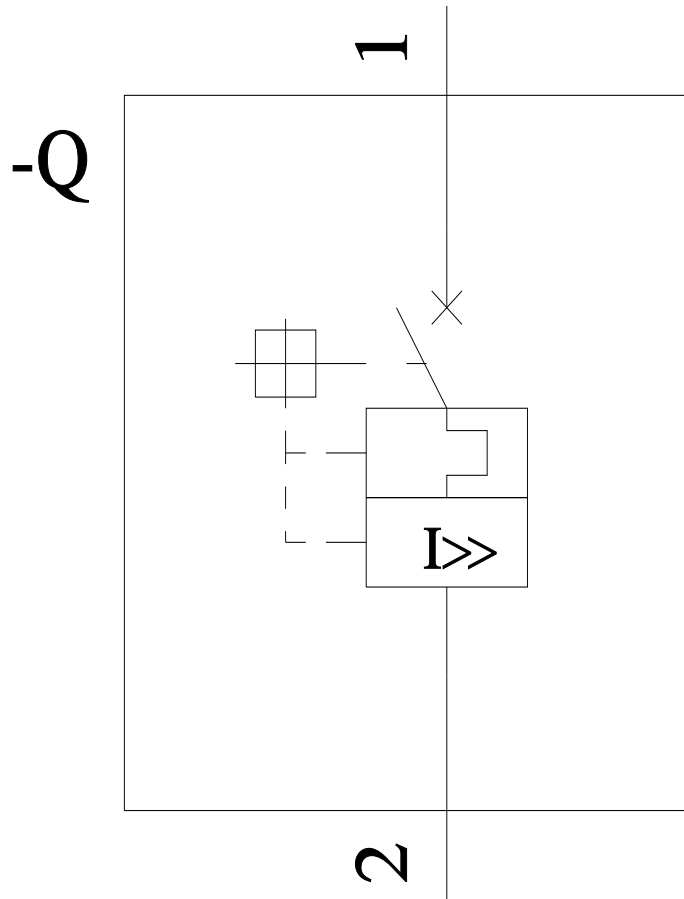
CAX-Online-Generator

<http://www.siemens.com/cax>

Tender specifications

<http://www.siemens.com/specifications>





last modified:

8/13/2021

