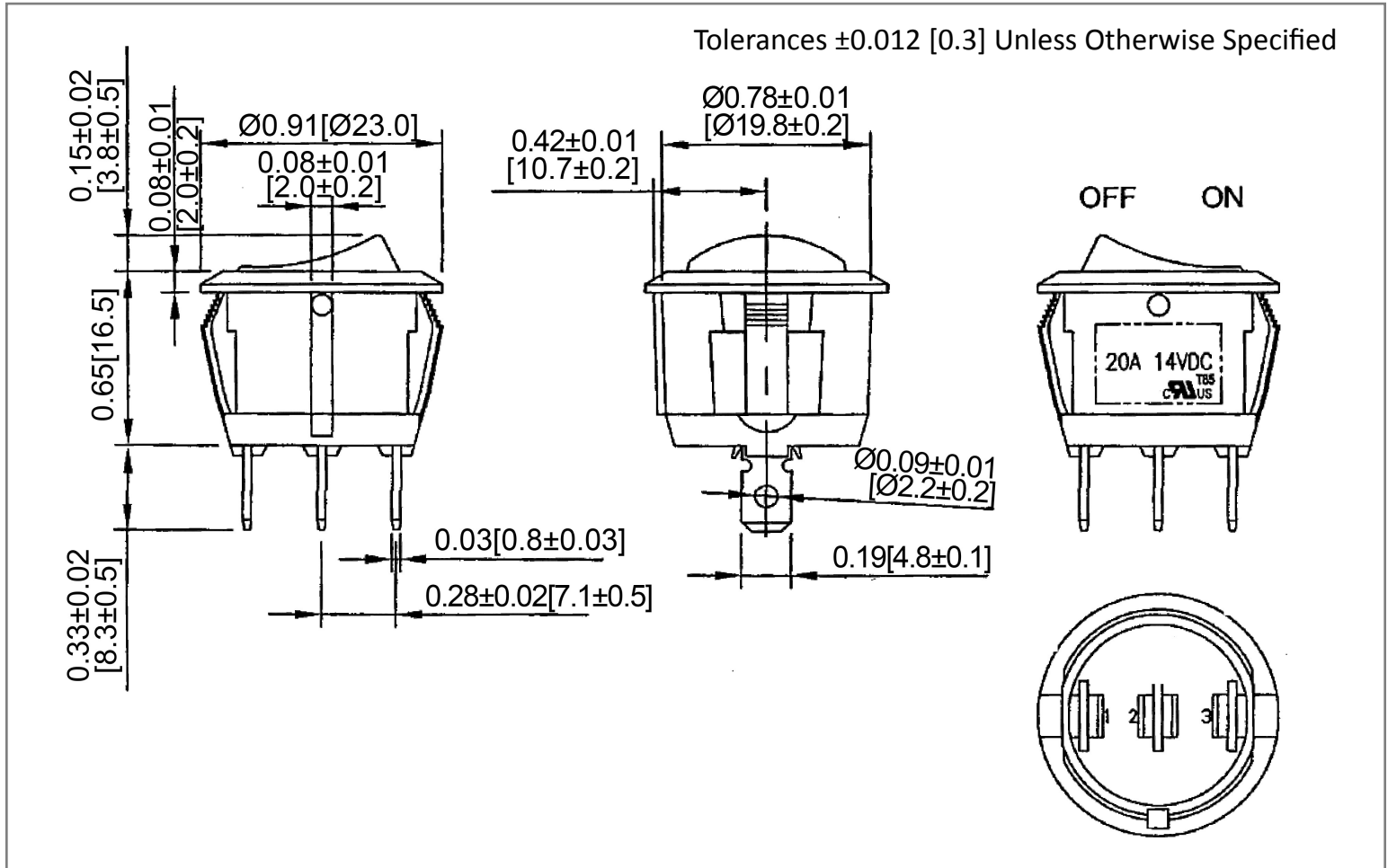
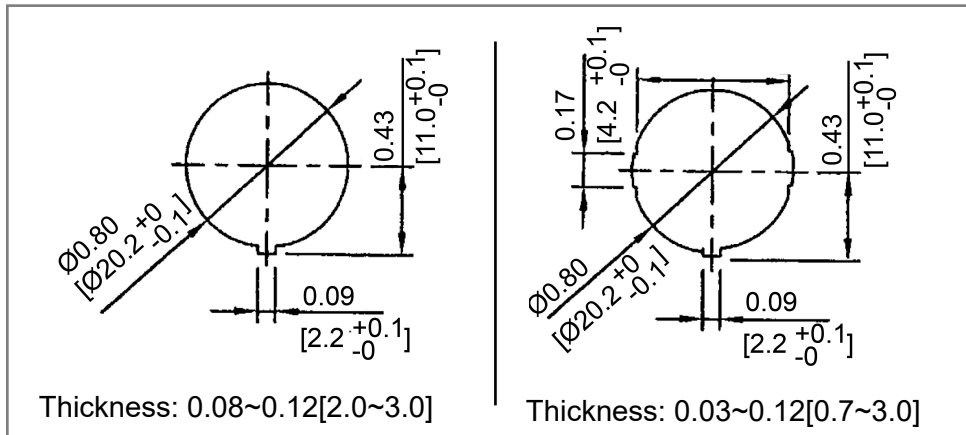


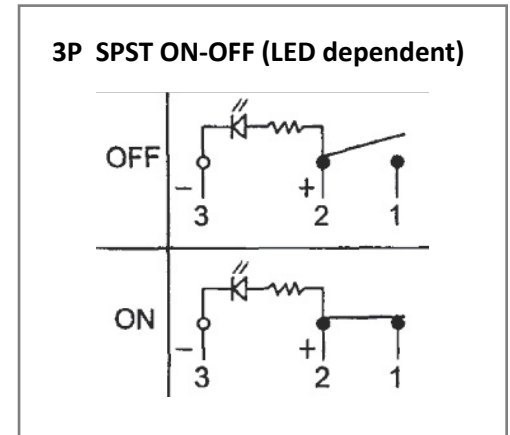
Mechanical Dimensions: Inches [mm]



Mounting Hole



Circuit Diagram



Electrical Specifications

Rating	20A 14VDC
Contact Resistance	50m ohm Max
Insulation Resistance	DC 500V 100M ohm Min
Dielectric Strength	AC 1500V 1 minute
Operation Temperature	-20°C~ 85°C

Material Specifications

Frame Material	Black, Nylon 66+33%GF
Actuator Material	Red, PC
LED	Red

Rev	Date of issue	Revision Notes	Designed	Approved
B	07-15-2025	Initial Drawing	RC	OF