



YONAH™

LED Linkable Fixtures



Beyond LED Yonah Linkable T8 LED Integrated Lamps perform efficiently in conditions where low voltage, halogen, or fluorescent luminaires have traditionally been used. Our LED tubes incorporate integral drivers, are self-supporting and can be surface mounted. Individual units can be plugged together for continuous lengths up to 200W. Our Yonah Lamps connect directly to line voltage and can be used in any interior space.

Product Features

- Efficacy up to 140 Lumens per watt
- Input Voltage 100-277Vac 50-60Hz
- Operates directly from line voltage
- Usable as a stand alone fixture
- Linkable up to 200W at AC120V
- Aluminum and PC housing
- ETL & DLC Listed
- 5 Year warranty

YONAH™

LED Linkable Fixtures



SKU #	Model #	Watt	Lumens	CCT	Size	Lens	Certifications
151717	BLT-T8-30P4FT-INT26500K-C	30W	4200Lm	6500K	4ft	Clear	ETL
153837	BLT-T8-30P4FT-INT2(4000K)-F	30W	4200Lm	4000K	4ft	Frosted	ETL
151623	BLT-T8-60P8FT-INT26500K-F	60W	8400Lm	6500K	8ft	Frosted	ETL
153547	BLT-T8-60P8FT-INT2(5000K)-F	60W	8400Lm	5000K	8ft	Frosted	DLC
151715	BLT-T8-60P8FT-INT26500K-C	60W	8400Lm	6500K	8ft	Clear	ETL
152574	BLT-T8-90P8FT-INT4(5000K)-C	90W	12600Lm	5000K	8ft	Clear	ETL
156700	BLT-T8-90P8FT-INT4(5000K)-C	90W	12600Lm	6500K	8ft	Clear	ETL

LED LINKABLE FIXTURES



YONAH™

LED Linkable Fixtures

30 Watt

Specifications

Parameter	Description	Value
General Performance	Wattage	30W
	Lumen	4200Lm
	Lumen Efficacy	Up to 140LM/W
	Color Temperature	6500K 5000K 4000K
	CRI (Ra)	>80
	Beam Angle	100° Degree
	Diffuser Type	Striped / Clear / Frosted
Electrical	Input Voltage	100-277Vac
	Frequency	50/60Hz
	Power Factor	>0.95
Physical	Operating Temperature	-30°C to 65°C
	Operating Humidity	N/A
	Storage Temperature	N/A
	LED Type	SMC2835
	Housing Material	Aluminum + PC Cover
Qualification	Housing Color	White
	IP Rating	IP22
	Warranty	5 Year

YONAH™

LED Linkable Fixtures



60 Watt

Specifications

Parameter	Description	Value
General Performance	Wattage	60W
	Lumen	8400Lm
	Lumen Efficacy	Up to 140LM/W
	Color Temperature	6500K 5000K 4000K
	CRI (Ra)	>80
	Beam Angle	100° Degree
	Diffuser Type	Striped / Clear / Frosted
Electrical	Input Voltage	100-277Vac
	Frequency	50/60Hz
	Power Factor	>0.95
Physical	Operating Temperature	-30°C to 65°C
	Operating Humidity	N/A
	Storage Temperature	N/A
	LED Type	SMC2835
	Housing Material	Aluminum + PC Cover
Qualification	Housing Color	White
	IP Rating	IP22
	Warranty	5 Year



YONAH™

LED Linkable Fixtures

90 Watt

Specifications

Parameter	Description	Value
General Performance	Wattage	90W
	Lumen	12600Lm
	Lumen Efficacy	Up to 140LM/W
	Color Temperature	5000K / 6500K
	CRI (Ra)	>80
	Beam Angle	100° Degree
	Diffuser Type	Clear
Electrical	Input Voltage	100-277Vac
	Frequency	50/60Hz
	Power Factor	>0.95
Physical	Operating Temperature	-30°C to 65°C
	Operating Humidity	N/A
	Storage Temperature	N/A
	LED Type	SMC2835
	Housing Material	Aluminum + PC Cover
Qualification	Housing Color	White
	IP Rating	IP22
	Warranty	5 Year

Optional Accessories (Cable)

SKU: 156846
(1FT)



SKU: 156847
(2FT)



YONAH™

LED Linkable Fixtures



Accessories

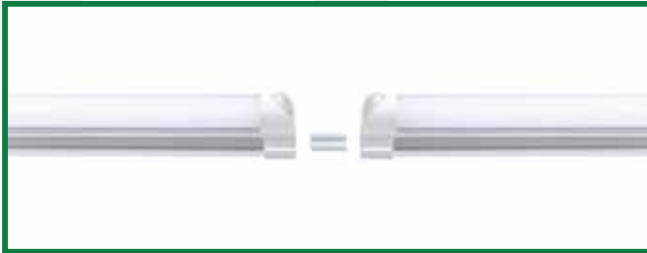
Linkable Options



Mounting Clips



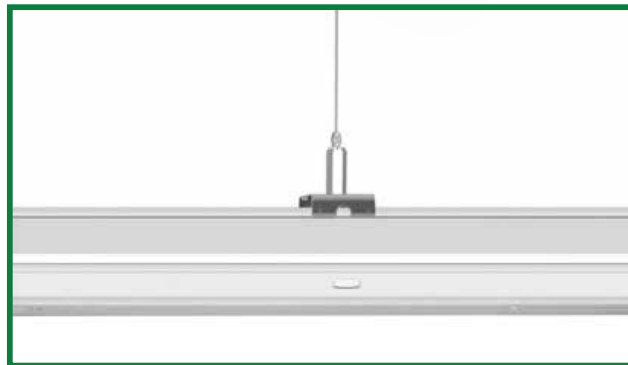
Linkable Options



Linkable Options Mounting Clips



Installation, Hanging

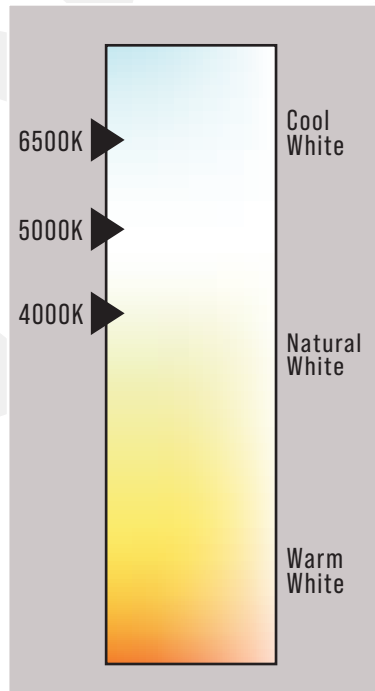




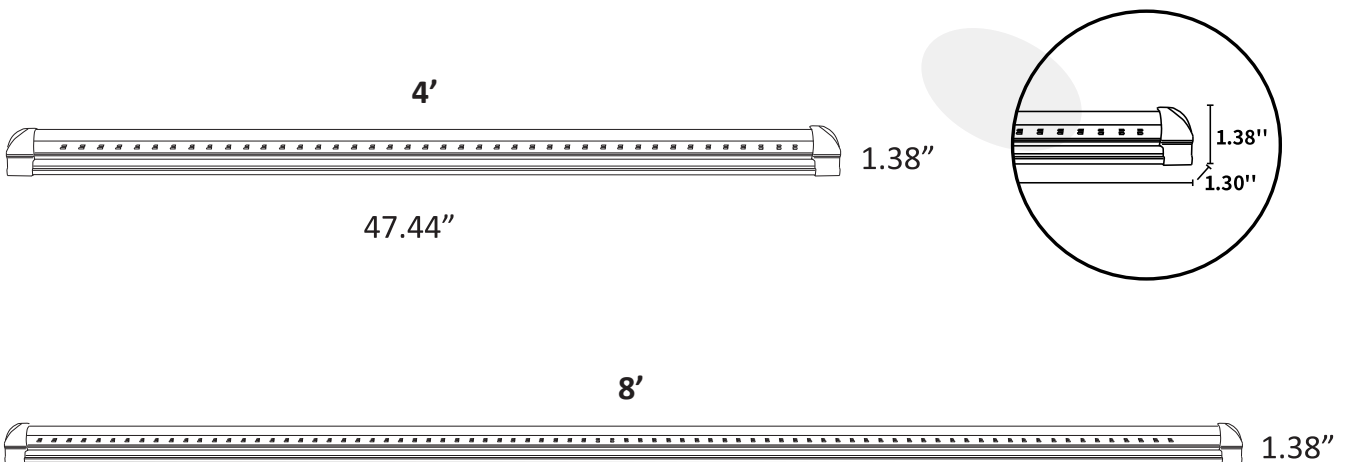
YONAH™

LED Linkable Fixtures

Correlated Color Temperature (CCT)



Dimension

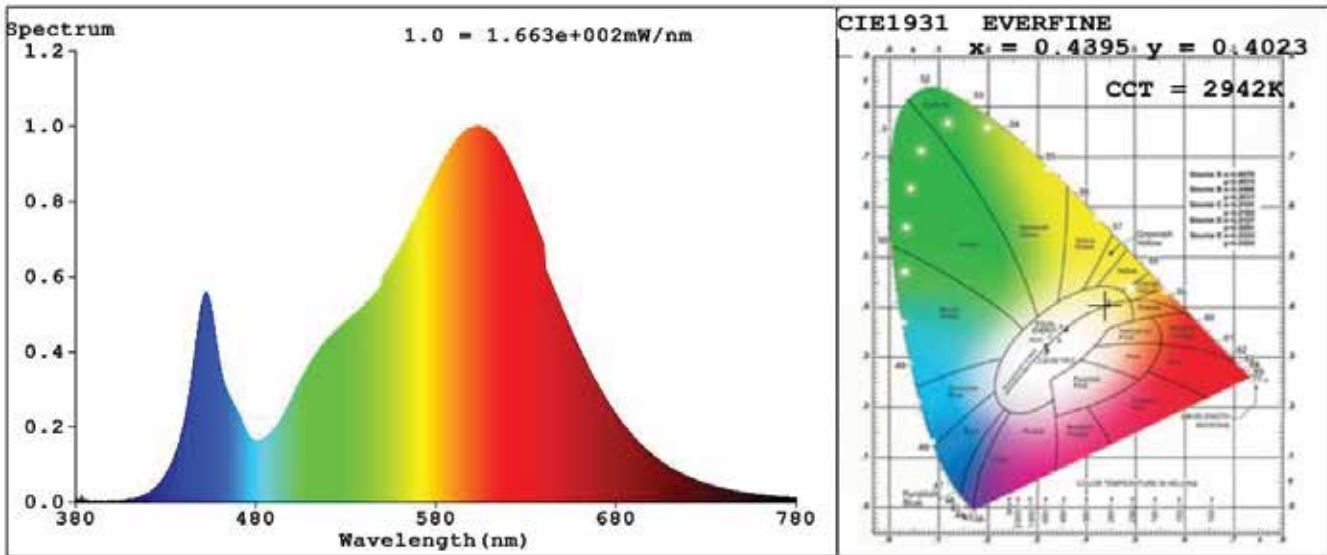


YONAH™

LED Linkable Fixtures



Distribution Diagram



Chromaticity Measurement - Sphere - Spectroradiometer

Method (Self-absorption)

Parameter	Result	Special Color Rendering Indices			
Test Voltage (V)	120	R1	78	R9	0
Frequency (Hz)	60	R2	90	R10	77
CCT (K)	2942	R3	96	R11	75
Duv	-0.0011	R4	77	R12	68
Chromaticity (x, y)	x=0.4395 y=0.4023	R5	78	R13	81
Chromaticity (u', v')	u'=0.2530 v'=0.5211	R6	87	R14	98
Color Rendering Index (CRI)	80	R7	80	R15	70
R9	0	R8	54	--	--

Photometric Measurement - Sphere - Spectroradiometer Method

Parameter	Results		DLC V4.4 Pass Criteria	
Test Voltage (V)	120	277	--	
Frequency (Hz)	60	60		
Total Luminous (lm)	8265	8323	>=375 lm/ft (-10%)	
Luminous Efficacy (lm/W)	135.43	137.82	Standard: >=	Premium: >=
			105(-3%)	130(-3%)

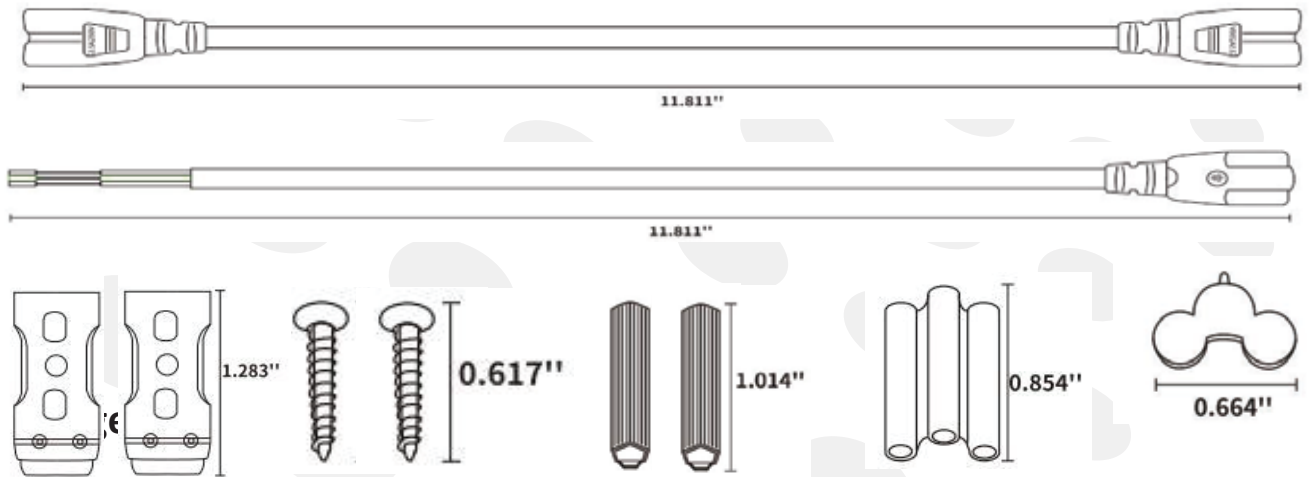


YONAH™

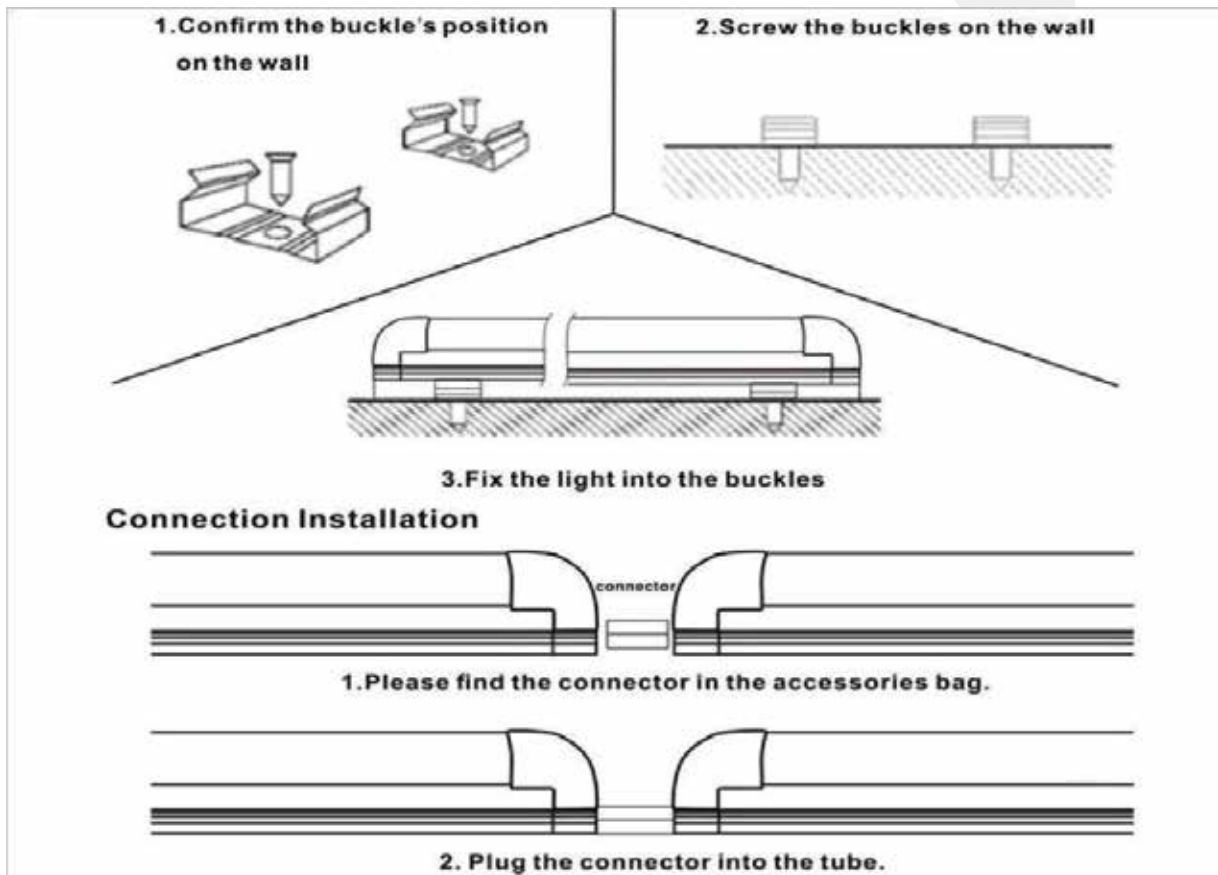
LED Linkable Fixtures

Installation

1. Standard accessories are given below:



2. Installation instruction:



YONAH™

LED Linkable Fixtures



Packaging

Tube Length	Box Size (Inches)	Box Qty	Box Weight
4'	49.21 x 5 x 5	4 Pcs	7 LBS
4'	49.21 x 9 x 8	20 Pcs	18 LBS
8'	95.28 x 5 x 5	4 Pcs	11 LBS
8'	95.28 x 5 x 8	20 Pcs	34 LBS

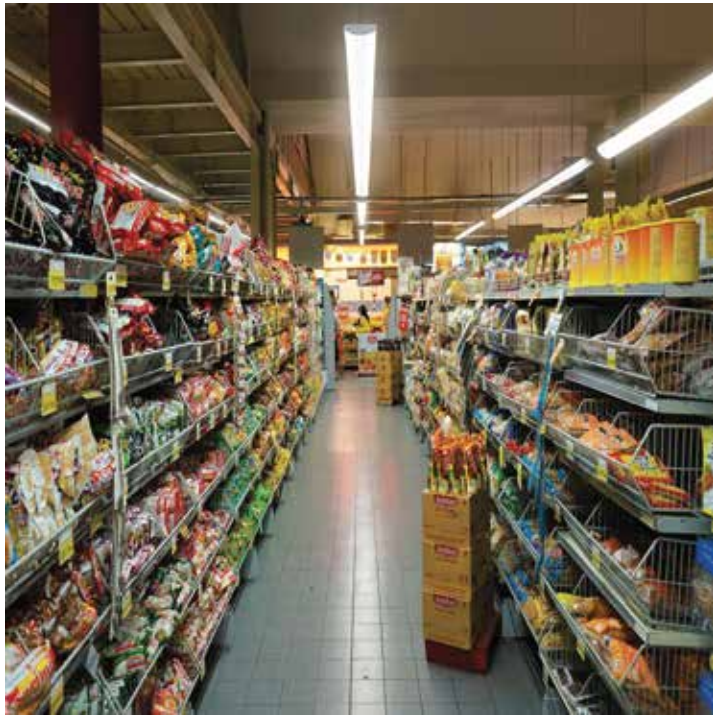




YONAH™

LED Linkable Fixtures

Application Picture



Warranty

5 Year Warranty

LED LINKABLE FIXTURES