



# LOOM™

## Wall Sconce



SKU	Model #
157038	JXL-BD12-WM15W-5CCT

Beyond LED Technology's LOOM Smart LED Wall Sconce features a modern design, making it perfect for smart homes, offices, hotel lobbies, and commercial spaces. The 15W model offers adjustable CCT options (2700K, 3000K, 3500K, 4000K, 5000K), allowing you to select the ideal color temperature for your environment.

Built with anti-UV PC material and rated IP65, the LOOM is designed to withstand both indoor and outdoor conditions, making it a durable choice for entryways, patios, and commercial spaces. This energy-efficient lighting solution ensures long-lasting performance in any setting.

### Product Features

- 15 Watt
- Adjustable CCT
- Input Voltage 100-277VAC
- Aluminum + PC + Metal Housing
- ETL Listed
- 3-year warranty

# LOOM™

## Wall Sconce



SKU	WATT	MAX LUMENS	ADJ. CCT	INPUT VOLTAGE	CRI	SIZE	CONSTRUCTION	DIMMING	IP RATING	CERTIFICATIONS
157038	15W	1000	2700K/3K/ 3500K/ 4K/5K	100-277V	>80	12.2"	Aluminum + PC + Metal	Yes	IP65	ETL

**SKU: 157038**

### Specifications

Parameter	Description	Value
General Performance	Model #	JXL-BD12-WM15W-5CCT
	Watt	15W
	Max Lumens	1000
	Lumen Efficacy	Up to 66LM/W
	Color Temperature	2700K / 3000K / 3500K / 4000K / 5000K
	CRI (Ra)	>80
	Light Spread	N/A
	Diffuser Type	PC Lens
Electrical	Input Voltage	100-277Vac
	Frequency	50/60Hz
	Dimming	Yes
	Power Factor	N/A
	Driver Surge Protection	<1000V
	Flicker Percent	<30%
Physical	Operating Temperature	-20°C to 40°C
	Operating Humidity	10%~40%RH
	Storage Temperature	-20°C to +60°C
	Storage Humidity	10%-90%RH
	LED Brand	San'an
	LED Type	SMD
	LED QTY	72 Pcs
Construction	Aluminum + PC + Metal	
Qualification	Housing Color	Matte Black
	IP Rating	IP65
	Warranty	3 Years

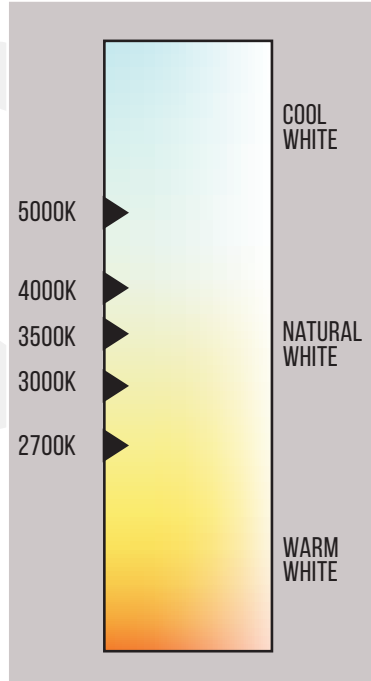
WALL SCONCE



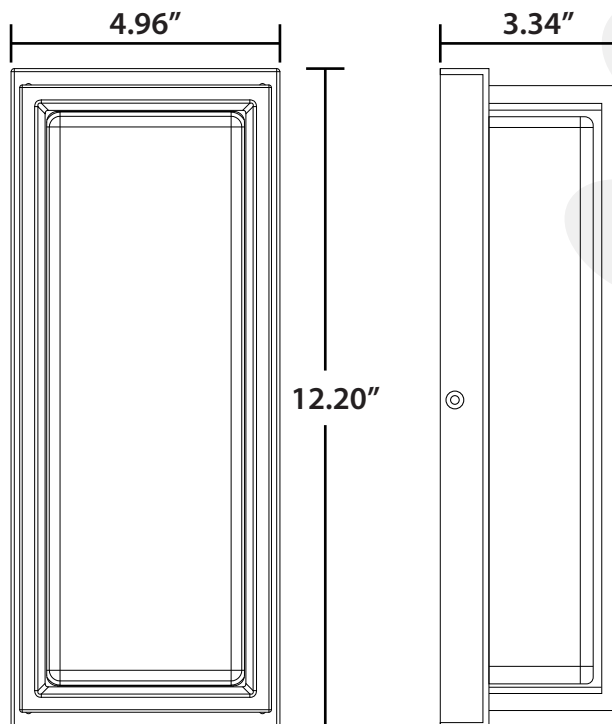
# LOOM™

## Wall Sconce

### Correlated Color Temperature (CCT)



### Dimensions



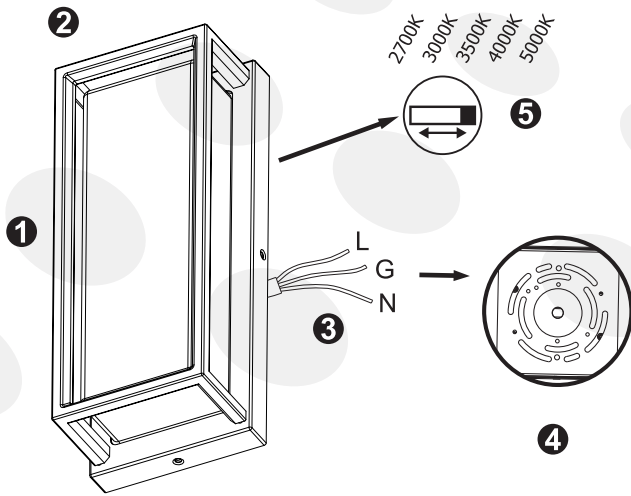
# LOOM™

## Wall Sconce



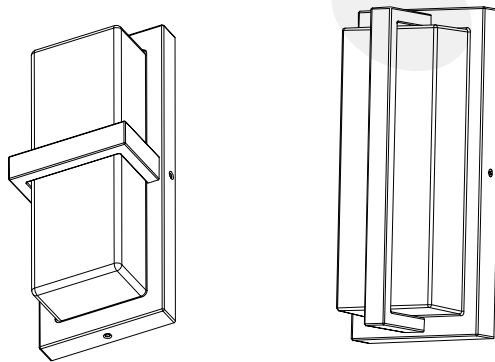
### Installation

**IMPORTANT:** Read all instructions in order to ensure safety and proper installation  
DO NOT operate this product under any conditions other than those for which it is specified. Failure to observe these precautions can lead to electrical shock, product failure, or other problems.



### PARTS LIST

- ① Anti-UV Shades
- ② LED Fixture
- ③ Wire
- ④ Mounting plate
- ⑤ CCT adjustable switch



WALL SCONCE

Specification	Watt	Voltage	Length	Width	Height	Equivalent to
12-Inch Outdoor LED Wall Light	15Wt	100-277V AC	4.96"	3.46"	12.20"	120W



# LOOM™

## Wall Sconce

### Installation

#### MAINTENANCE

READ ALL INSTRUCTIONS IN ORDER TO ENSURE SAFETY AND PROPER INSTALLATION.

1. DO NOT operate this product under ANY conditions other than those specified for it. Failure to observe these precautions can lead to electrical shock, product failure or other problems.
2. TURN OFF THE POWER at the electrical panel before installation or maintenance.
3. DO NOT modify this fixture. ANY modifications may render the product unsafe and void the warranty.
4. This product is rated for outdoor use.

#### LIMITED WARRANTY

The warranty applies to the product from the original date of purchase for three (3) years against manufacturing defects. The owner must provide a copy of the original proof of purchase. The manufacturer's obligation under this warranty is limited to repairing or replacing the component.

It is not related in any way to the cost of the connection, the installation of the replacement parts or cost of transport.

#### PACKAGE CONTENT

- 12-Inch Wall Lamp x 1
- Wire Connectors x 3
- Screws x 4
- Mounting plate x 1

#### WARRANTY

Turn power OFF from electrical panel before installation or maintenance.

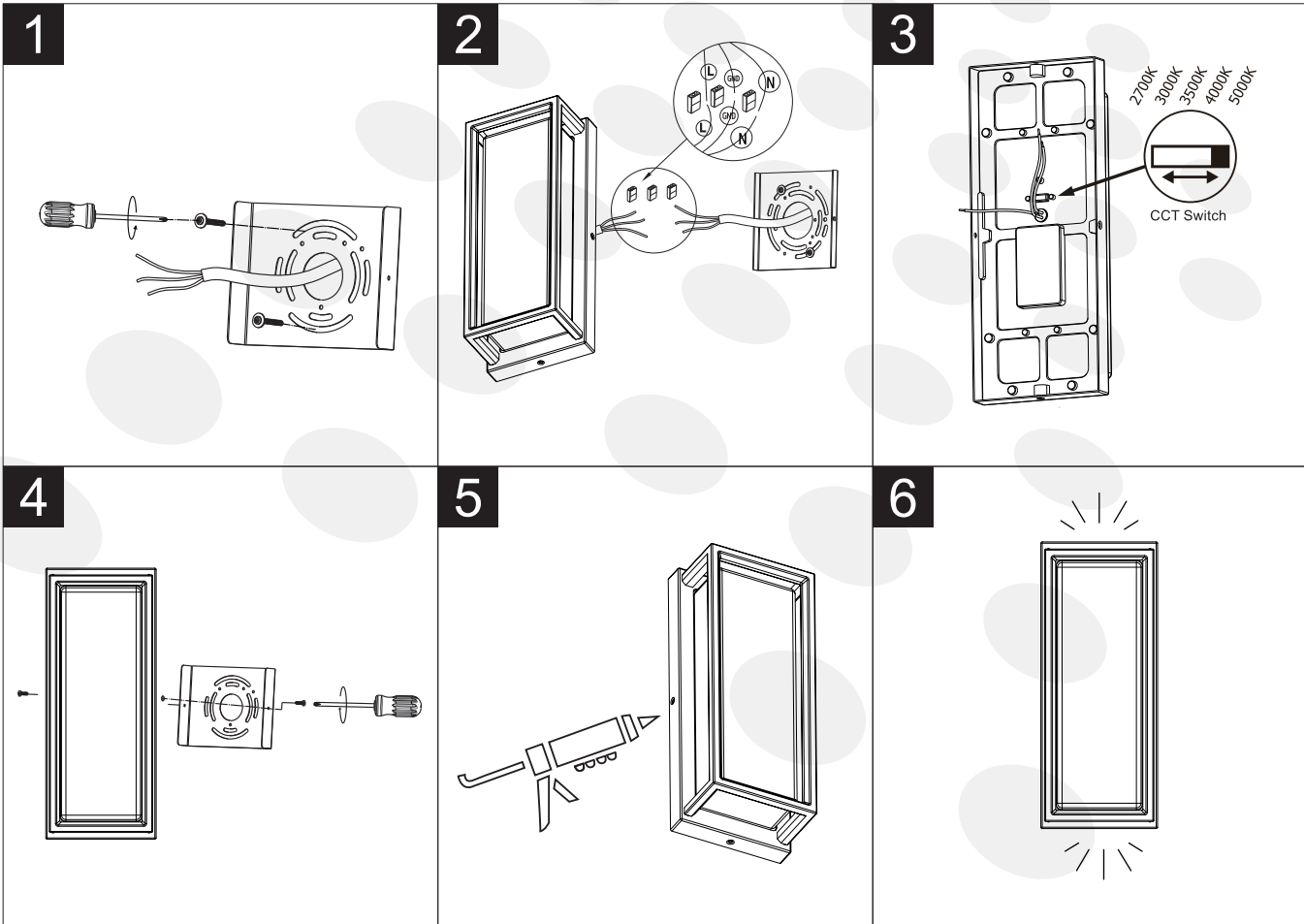
1. Attached the mounting bracket to the J-box/wall by 2 screws
2. Use push in wire connectors to connect the wires.
3. Select your ideal CCT through the CCT switch
4. Fix the light fixture to the mounting bracket by 2 screws on the side
5. With silicone caulking compound, caulk completely around where the mounting bracket meets the wall surface  
(CAUTION: Be sure to caulk completely where the mounting bracket meets the wall surface to prevent water from seeping into mounting bracket)
6. Installation is done

# LOOM™

## Wall Sconce



### Installation



WALL SCONCE

### Packaging

SKU	Box Dimension	Qty	Net Weight	Gross Weight
157038	24.01" x 12.83" x 14.01"	10 Pcs/Box		



# LOOM™

## Wall Sconce

### Application Picture



### Warranty

This product is covered under a 3-year warranty. For complete warranty details, [Click Here.](#)