



CONTACT US @ 855-355-2724

E-Mail: Sales@brahelectric.com

www.Brahelectric.com

PRODUCT DATA SHEET



Contactors

Picture is for reference only,
Actual Kit may vary slightly

Voltage Selection Chart BLC1F150XX

BLC1F150	120VAC
BLC1F150B6	24VAC
BLC1F150G6	120VAC
BLC1F150L7	208VAC
BLC1F150Q5	480VAC
BLC1F150U6	240VAC

PART NUMBER-BLC1F150G6:

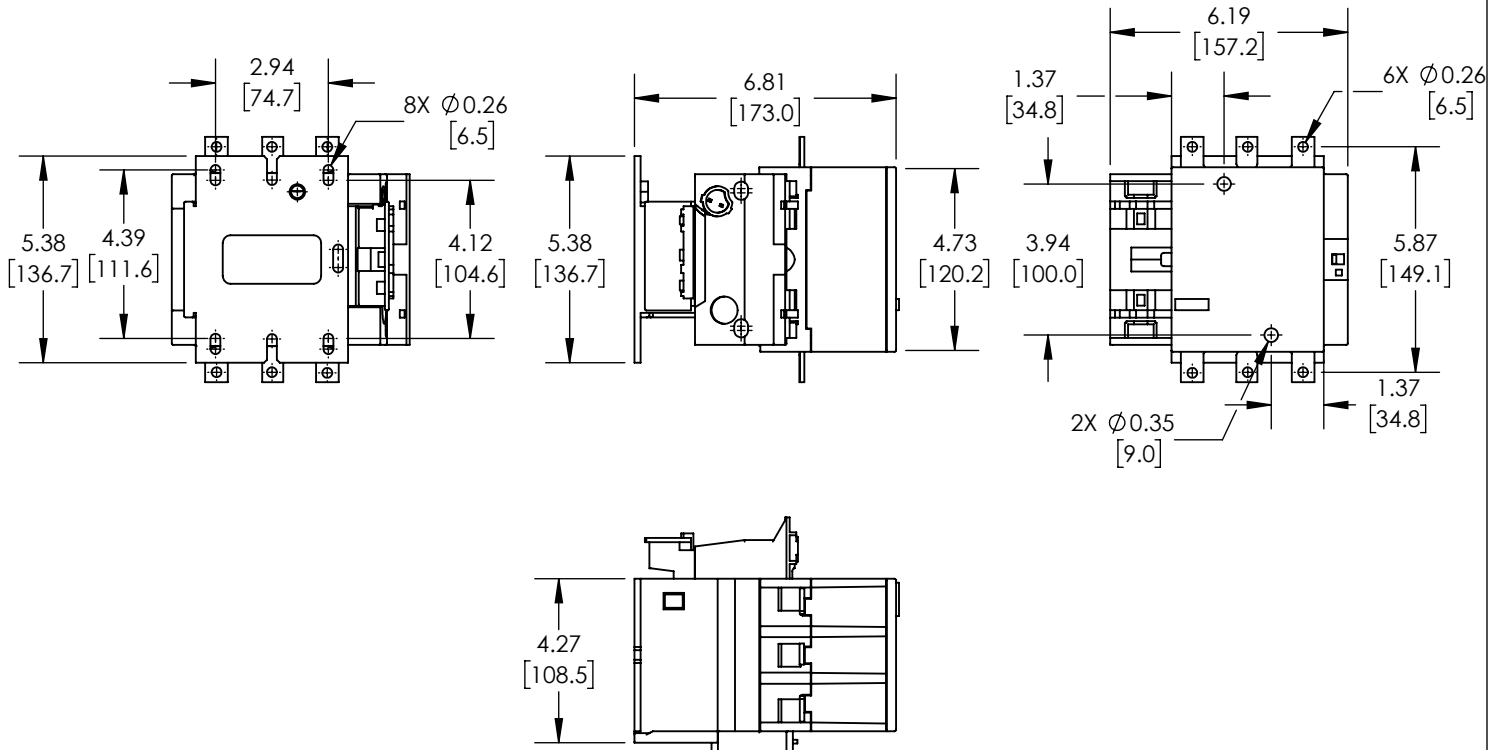
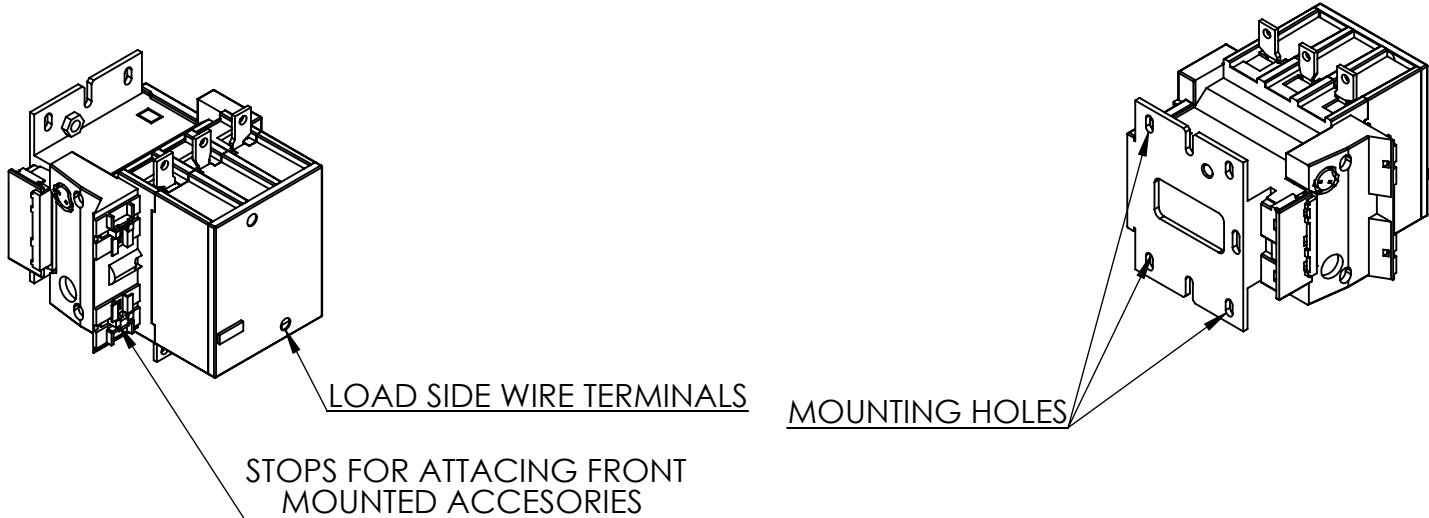
BRAH Electric, direct replacement, after market conversion kit for Telemecanique 250amp, 600volt, 3 pole, AC rated contactor, complete with 120VAC control coil, suitable for use with Telemecanique TeSys F type LC1F, direct substitute contactor for Telemecanique OEM LC1F150

PRODUCT SPECIFICATIONS

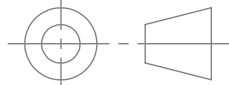
Manufacturer	BRAH Electric
Sub-Category	Contactor
Family	TeSys F
Type	LC1F, BLC1F
Suitable For	LC1F
Voltage	600
Amperage	250
Poles	3
Phase	3
Horse Power	100
Frequency	50/60 Hz

Warranty: All Products sold by BRAH Electric are guaranteed to be free of defect for a period of two years, under the condition that the product has been installed and operated properly. All items proven defective within the one year period will be replaced by BRAH Electric. In the event that we cannot provide a direct replacement, your monies will be refunded in full. We are not responsible for any consequential losses or damages outside of the defective product as well as any replacements or repairs performed by another party without our written authorization from BRAH Electric.

REVISIONS				
ZONE	REV.	DESCRIPTION	DATE	APPROVED




***NOTE: BRAH ELECTRIC CONTACTOR BLC1F150G6 IS AN AFTERMARKET DIRECT REPLACEMENT FOR LC1F150G6, LC1-F SERIES. SUITABLE FOR USE WITH LC1-F SERIES MOTOR CONTROL SYSTEMS**


THIRD ANGLE PROJECTION

PROPRIETARY AND CONFIDENTIAL
THE INFORMATION CONTAINED IN THIS DRAWING IS THE SOLE PROPERTY OF BRAH ELECTRIC. ANY REPRODUCTION IN PART OR AS A WHOLE WITHOUT THE WRITTEN PERMISSION OF BRAH ELECTRIC IS PROHIBITED.

UNLESS OTHERWISE NOTED
ALL DIMENSIONS ARE IN INCHES
METRIC UNITS ARE DISPLAYED
BENEATH IN [MM.]

MATERIAL	MOLDED PLASTIC CASE
FINISH	N/A
DO NOT SCALE DRAWING	



MAGNETIC CONTACTOR

SIZE	DWG. NO.	REV.
A	BLC1F150G6	A
SCALE: 1:5	WEIGHT: 3.2 LBS	SHEET 1 OF 1