

**Type PMG-KB-01-Q2S**  
**Panel Mount Fuse Holder**  
**13/32" x 1½" (10.3 x 38.1mm)**  
**Knob / Bayonet**

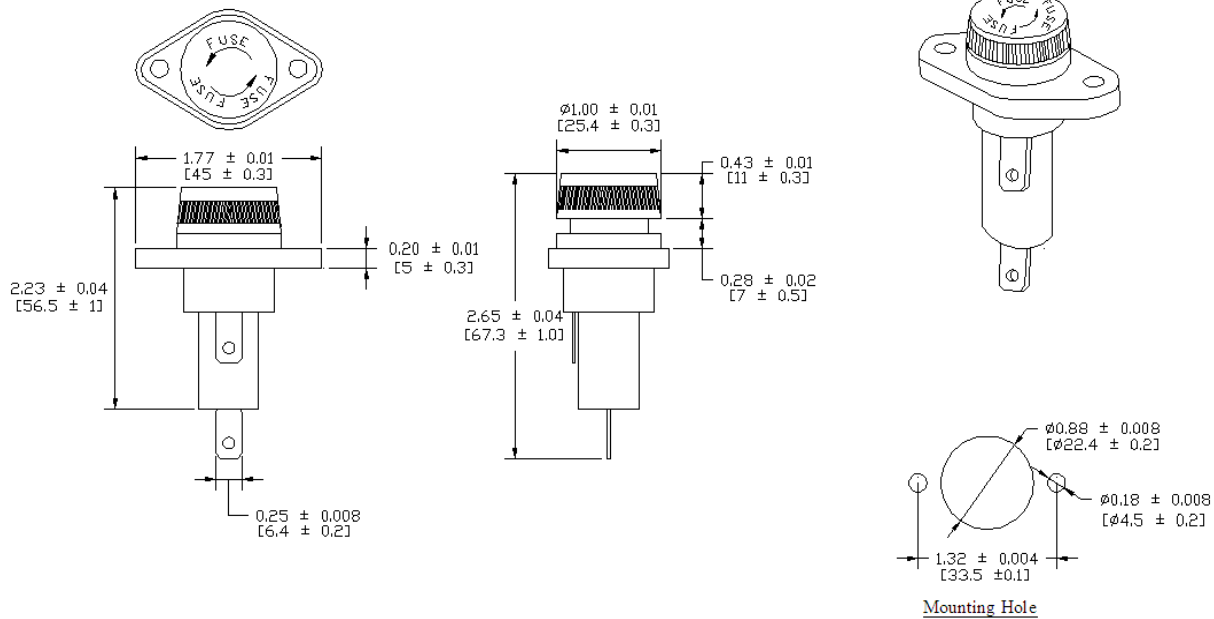


www.optifuse.com (619) 593-5050

**Electrical Rating:** 30A, 600V AC  
**Fuse Style:** 13/32" x 1½" (10.3 x 38.1mm)  
**Material:**  
**Frame and Cap:** Phenolic (UL flame: 94V-1)  
**Terminals:** Nickel-plated brass  
**Cap:** Knob type, Bayonet type  
**Mounting:** by screws  
**Terminal:** Solder/Quick-Connect 6.4mm / 0.250"  
**Panel Thickness:** 0.5 ~ 10mm  
**Agency Standards and Listings:**



**Product Dimensions: Inches [mm]**



<p><b>Warning:</b></p>	<ul style="list-style-type: none"> <li>-Operation beyond the specified maximum ratings or improper use may result in damage and possible electrical arcing and/or flame.</li> <li>-Fuse Holders are not intended for circuit disconnect. All power should be disconnected before removing fuse.</li> <li>-Avoid contact of Fuse Holder with chemical solvent. Prolonged contact may damage the device performance.</li> </ul>
------------------------	---