

**Mechanical Dimensions: Inches [mm]**

Tolerances  $\pm 0.012$  [0.3] Unless Otherwise Specified

Exploded view components: COVER, Blade Fuse, SEAL, HOUSING, SEAL, WIRE.

\* Dimension varies depending on specific model. For stocked products, dimensions are as follows:

Optifuse P/N	Wire length
LPR-05B-10B	2x 5.7" (145mm) wires
LPR-05B-12OR	2x 5.7" (145mm) wires
LPR-05B-16R	2x 5" (127mm) wires
LPR-05B-18R-LOOP	12" LOOP

For products not listed in the table above, please contact the factory.

**Part Numbers Information**

**LPR - 05**   **B**   -   **12**   **R**   -   **BP**

BODYCOLOR	WIRE GAUGE	WIRE COLOR	PACKAGING
B: Black	10: 10AWG 12: 12AWG 14: 14AWG 16: 16AWG 18: 18AWG	R: Red B: Black O: Orange	Blank: Bulk BP: Blister Pack (1pc)

Wire Gauge	Max Amp.
10 AWG	40A
12 AWG	30A
14 AWG	20A
16 AWG	15A
18 AWG	10A

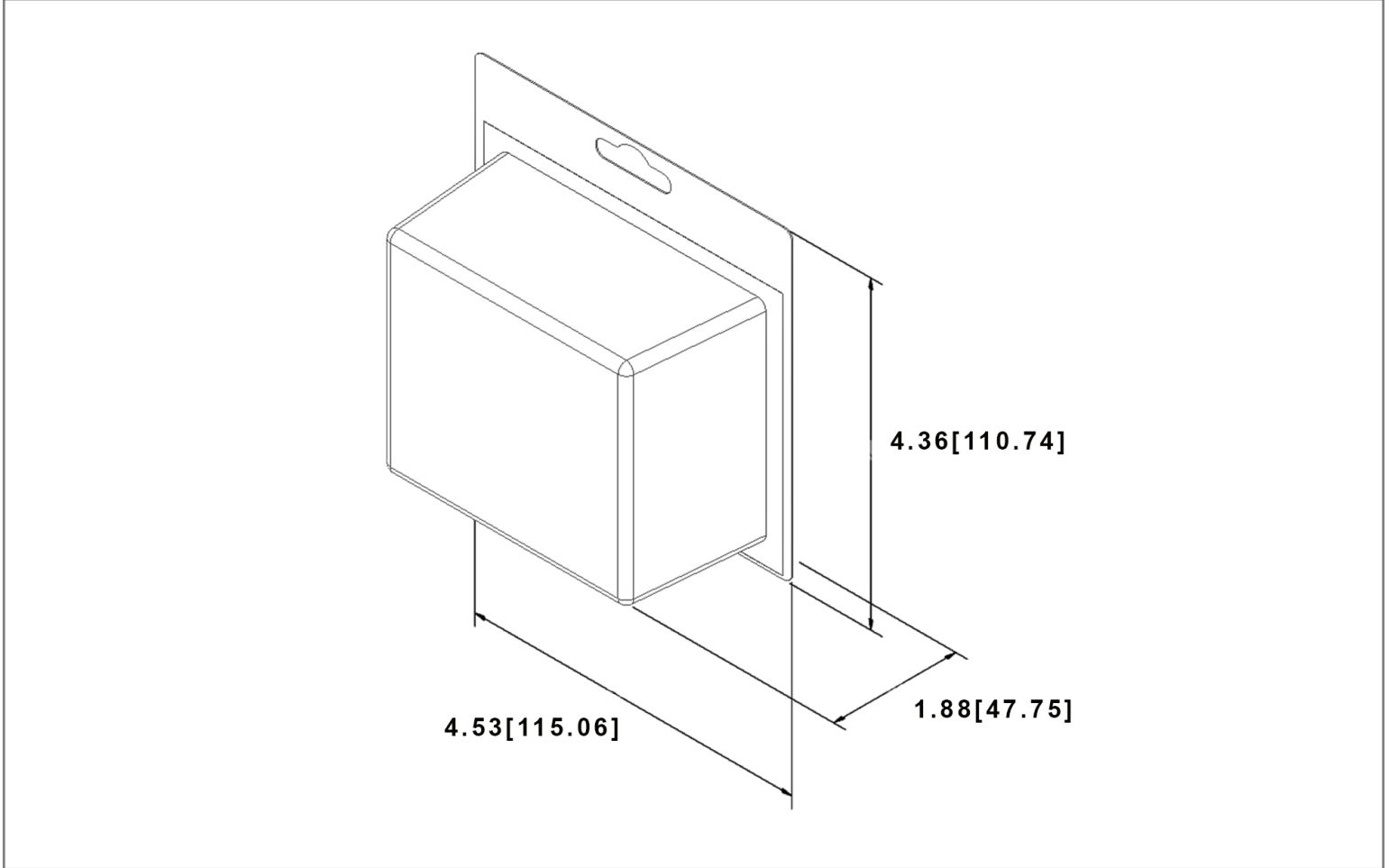
**Electrical Specifications**

<b>Voltage Rating</b>	58V

**Material Specifications**

For use with APR and ANR Regular (ATO/ATC Style) Blade Fuses	
<b>Body Material</b>	PVC
<b>Ingress Protection</b>	IP67
Attached Mounting Bracket	
For custom inquiries please contact the factory	

Retail Pack: Inches [mm]



**Disclaimer:** Information provided is believed to be accurate and reliable. Users are responsible for confirming the suitability and performance of any OptiFuse product for their particular application. These products may not be appropriate for every use, and proper evaluation is recommended before implementation. For additional information, please visit [optifuse.com/product-disclaimer](https://www.optifuse.com/product-disclaimer).

Specifications are subject to change without notice

Rev	Date of issue	Revision Notes	Designed	Approved
H	02-26-2026	Added part-specific wire lengths.	RC	OF