



WORLDWIDE ELECTRIC MOTOR DATA SHEET



ODP15-18-254T

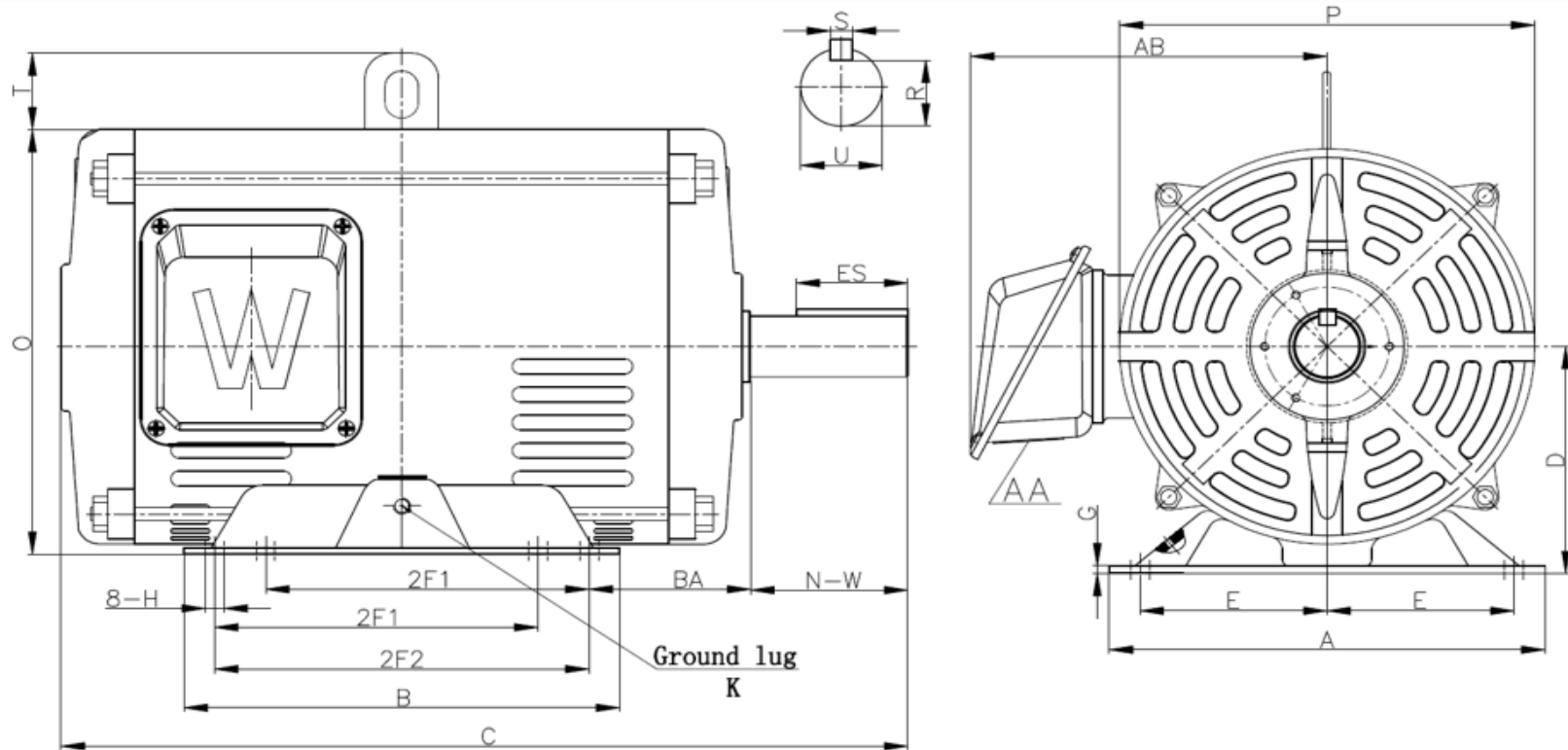
HORSEPOWER	15		
RPM / POLES	1800 / 4		
VOLTAGE / PHASE	208 - 230 / 460 V / 3		
FRAME	254T		
ENCLOSURE / DEGREE OF PROTECTION	ODP / IP23		
FREQUENCY	60 HZ Suitable For 50 HZ Operation With 1.0 SF		
FULL LOAD SPEED	1774 RPM		
SERVICE FACTOR	1.15 SF 60HZ / 1.0 SF at 50HZ		
INSULATION CLASS	F		
FULL LOAD AMPS; 230 / 460	34.8 / 17.4 A		
LOCKED ROTOR AMPS (STARTING); 230 / 460	235.6 / 117.8 A		
NO LOAD CURRENT	11.4 / 5.7 A		
NEMA CODE LETTER	G		
EFFICIENCY / POWER FACTOR	<u>LOAD</u>	<u>EFF.</u>	<u>P.F.</u>
	100%	93.0%	0.85
	75%	93.8%	0.82
	50%	93.3%	0.74
DUTY CYCLE	S1 / Continuous		
TORQUE	<u>FULL LOAD</u>	<u>LRT</u>	<u>BDT</u>
	43.6 lb.ft.	260%	276%
SLIP	1.441%		
NEMA DESIGN	B		
NUMBER OF STARTS (Hot / Cold)	2 Hot / 3 Cold		
MAX. AMBIENT TEMPERATURE	40° C		
MAX. ELEVATION	3300 Ft. Above Sea Level		
TEMPERATURE RISE (At Full Load)	80° C		
DE BEARING	6309Z		
ODE BEARING	6307Z		
GREASE TYPE	NS7 ENS		
MOUNTING	F1		
ROTATION	Bi-Directional		
APPROXIMATE WEIGHT	214.9 lbs.		
AREA CLASSIFICATION	Non-Hazardous		
INVERTER RATING	10:1 CT / 20:1 VT PWM Type		
SPECIFICATION - In Accordance With	NEMA, UR		





WORLDWIDE ELECTRIC MOTOR DRAWING

ODP-254T



ALL DIMENSIONS IN INCHES

MOUNTING										
E	2F1	2F2	H	BA	A	B	C	D	G	K
5	8.25	10	0.53	4.25	12.05	11.57	22.3	6.25	0.236	M6

KEYSET	KEY								
R	ES	S	U	N-W	P	AB	AA	O	T
1.416	2.91	0.375	1.625	4	10.63	9.7	1.38	11.6	2.48