

Electro *Kinetic* Technologies

Ergonomic Solutions for Transport



PROUDLY
MADE IN AMERICA

REDUCE employee injuries from strain and fatigue

SAFELY transport materials across various surfaces and inclines

IMPROVE your ergonomic footprint

BOOST employee morale and productivity

INCREASE your bottom line profitability



AC Tugger-25K+

Electric Tugger

When the job calls for pulling, pushing, lifting or turning, our products help you get the job done **safely**.

(262) 250-7740
sales@ek-tech.com

W194 N11301 McCormick Drive
Germantown, Wisconsin 53022

Electro *Kinetic* Technologies
Ergonomic Solutions for Transport

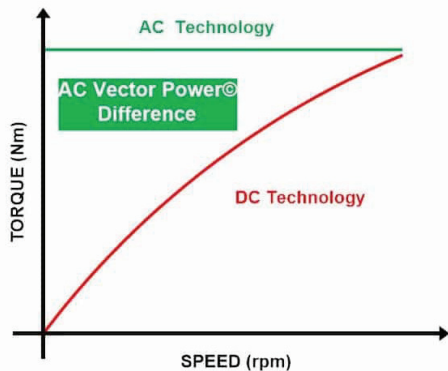


www.ek-tech.com

ELECTRO KINETIC TECHNOLOGIES

AC VECTOR TECHNOLOGY

With our **AC Vector Power**® technology these electric powered carts deliver maximum power and torque across the entire speed range unlike traditional DC technology. This gives you the Power You Need at Any Speed® to move any load, anywhere, under any conditions with precise speed control down to 0.1 mph.



BATTERY PACK

Cradled AGM or lithium battery packages are available for easy removal during maintenance or hot-swappable when the motorized carts are used in 24/7 operations.



MONITORING SYSTEM



The advanced battery monitoring system provides a visual display of critical battery parameters including state-of-charge, consumed amp-hours, and battery voltage. Visual and audible indicators provide alerts to the operator providing them with feedback that it is time to recharge the batteries. Bluetooth® capability and a downloadable app provide additional monitoring capability on any smart phone.

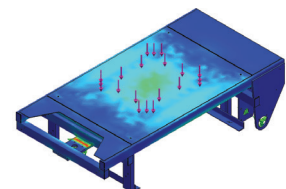
AC REGEN

AC ReGen® Technology used during braking enables the electric powered cart's kinetic energy to be converted back to electrical energy that replenishes the on board batteries thereby increasing the time between recharging.



FINITE ELEMENT ANALYSIS

To ensure our products meet or exceed your most stringent requirements, our motorized cart designs are put through rigorous finite element analysis (FEA) with added safety margins.



When the job calls for pulling, pushing, lifting or turning, our products help you get the job done **safely**.

(262) 250-7740
sales@ek-tech.com

W194 N11301 McCormick Drive
Germantown, Wisconsin 53022

Electro *Kinetic* Technologies
Ergonomic Solutions for Transport

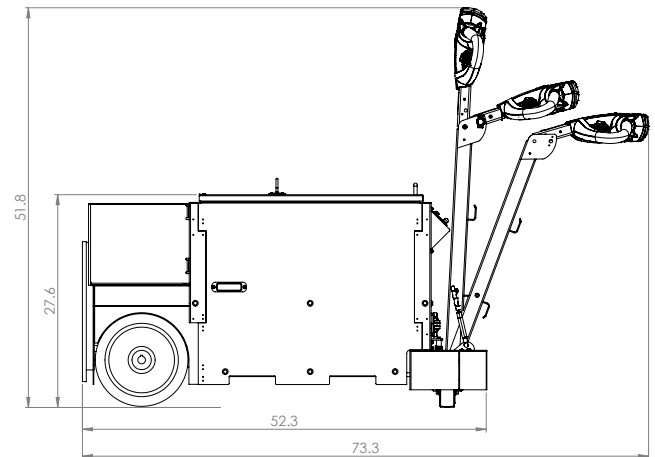
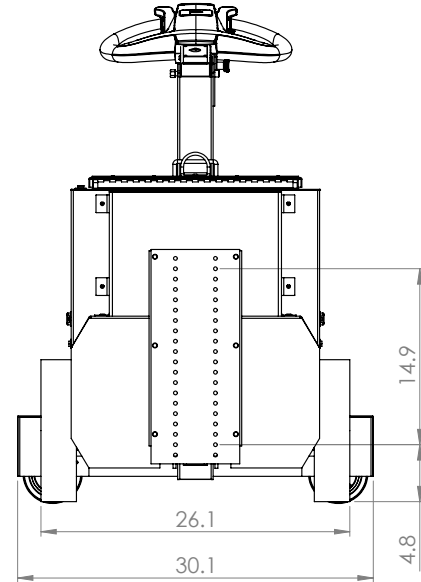


www.ek-tech.com

SPECIFICATIONS

Recommended Load Weight-Casters:	25,000+ lbs.
Recommended Load Weight-Rails:	100,000+ lbs.
Drive System:	1.7 kW transaxle powered by AC Vector Power ® technology
Drive Wheels:	12" x 3" molded rubber on solid cast iron industrial rims
Chassis:	Welded steel, FEA on frame
Variable Speed Range:	0.1 to 1.5 mph, low setting 0.1 to 3.0 mph, high setting
Battery Packs:	48V, 100Ah AGM swappable 48V, 120 Ah lithium iron phosphate swappable
Battery Charger:	120/240 VAC, single-phase, 6A/2.9A, 50/60 Hz. UL, cUL & CSA.
Parking Brake:	Electromagnetic
Operating Temperature:	0 to +40° C
Charging Temperature:	-23° to +60° C
Noise Level:	<65 dBA
Ingress Protection:	IP 42, controller IP 54

DIMENSIONS



When the job calls for pulling, pushing, lifting or turning, our products help you get the job done **safely**.

(262) 250-7740
sales@ek-tech.com

W194 N11301 McCormick Drive
Germantown, Wisconsin 53022

Electro *Kinetic* Technologies
Ergonomic Solutions for Transport



www.ek-tech.com

OPTIONS

BATTERY OPTIONS



Part No: 100-AGM
48 VDC, 100 Ah, AGM swappable battery pack with fast swap connector.

Part No: 200-Lithium
48 VDC, 120 Ah, lithium iron phosphate swappable battery pack with fast swap connector.

CHARGER OPTIONS

Part No: 101-AGM
48 VDC AGM battery charger 120/240 VAC, single-phase, 50/60 Hz. 6A/2.9A, UL, cUL & CSA.
Use with AGM battery pack 100-AGM

Part No: 201-Lithium
48 VDC AGM battery charger 120/240 VAC, single-phase, 50/60 Hz. 6A/2.9A, UL, cUL & CSA.
Use with Lithium battery pack 200-Lithium

HITCH OPTIONS



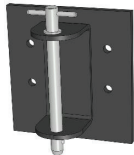
Part No: 0244-300-02
Pintle with ball hitch

- 2" stainless steel ball. Other sizes available.
- Made of forged steel
- Finish, black powder coat



Part No: 0244-302
Pintle hook coupler

- Drawbar eye dimensions 2" to 3" ID with 1 1/4" to 1 5/8"
- Made of forged steel
- Finish, black powder coat



Part No: 0244-350
Hitch with quick 1/2" release pin.

OPTIONS



Part No: 0244-301-35
Ball hitch

- 2" stainless steel ball. Other sizes available.
- Finish, black powder coat



Part No: 0244-310
Manual round bar hitch

- Lift & turn to lock open.
- 1 1/4" diameter solid steel bar
- 2" high opening



Part No: 0244-312
Double hole hitch for pin connections.



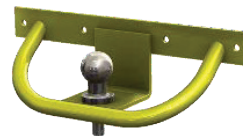
Part No: 0244-302-299
Ring coupler for mounting on cart.

- Latches in vertical position when not in use for safety
- Works with 0244-302 and 0244-310 hitches



Part No: 0244-301-12
Ball coupler hitch for mounting on carts.

- Latches in vertical position when not in use for safety
- Works with 0244-301-25 and 0244-302-35 hitches



Part No: 0244-301-25
Ball coupler hitch for mounting on carts.

- Safety bar for protection
- Works with 0244-301-12 to allow connection of multiple carts in a train

When the job calls for pulling, pushing, lifting or turning, our products help you get the job done **safely**.

(262) 250-7740
sales@ek-tech.com

W194 N11301 McCormick Drive
Germantown, Wisconsin 53022

Electro *Kinetic* Technologies
Ergonomic Solutions for Transport



www.ek-tech.com