

# Hanger Bolted for EMT and Rigid

**Size Range:** 1/2" - 4" (0 - 9)  
**Product Series:** CHB Bolted Hanger Support  
**Material:** Steel Construction  
**Bright Electro Zinc Plated**

*Made in the USA*



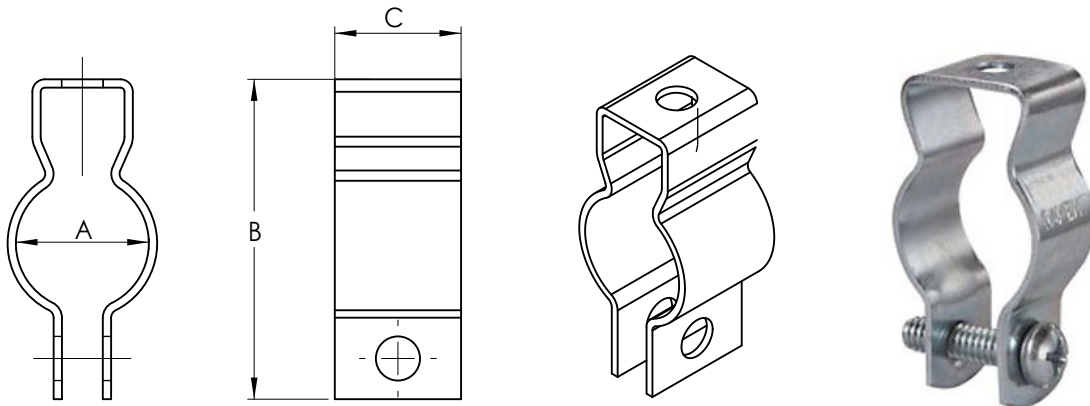
Bolt On with Mounting Hole  
 Suitable to Attach to a Traditional Beam Clamp  
 Furnished with Steel Threaded Bolt and Nut

## Industrial SPEC-grade

Chb Series 3 Holes Bolted Hangers

AMFICO Steel 3 Hole Conduit Hanger  
 Bolts And Clamps Onto The Conduit

Conduit Hangers With Attached Nut  
 And Bolt Securely Connect EMT or  
 Rigid /IMC Conduit Directly To Mounting  
 Surface. Threaded Bolt Features  
 Slotted Phillips Head and Nut.



Cat #	Trade Size	Rigid	EMT	A	B	C	Wt. / C	Std. Carton	Mstr. Carton
CHB0US	0	3/8"-1/2"	1/2"	13/16"	1-7/8"	3/4"	7	50	250
CHB1US	1	3/4"	3/4"	1"	2-1/8"	3/4"	7	50	250
CHB2US	2	1"	1"	1-3/16"	2-7/16"	7/8"	8	25	125
CHB25US	2-1/2	-	1-1/4"	1-1/2"	2-3/4"	7/8"	11	20	100
CHB3US	3	1-1/4"	1-1/2"	1-3/4"	2-7/8"	7/8"	11	20	100
CHB4US	4	1-1/2"	-	1-7/8"	3-1/4"	1"	19	10	50
CHB5US	5	2"	2"	2-1/4"	3-7/8"	1"	22	10	50
CHB6US	6	2-1/2"	2-1/2"	2-7/8"	4-5/8"	1-1/8"	28	-	25
CHB7US	7	3"	3"	3-1/2"	5-1/2"	1-3/16"	31	-	20
CHB8US	8	3-1/2"	3-1/2"	4"	5-3/4"	1-1/4"	32	-	10
CHB9US	9	4"	4"	4-1/2"	6-1/4"	1-1/4"	37	-	10

**Compliances:**

Certified Made in the USA  
 UL Listed 2239  
 Indoor or Outdoor Use  
 RoHS Compliant  
 REACH Compliant  
 CA Prop 65 Compliant  
 UNSPSC 39121701



**Available OPTIONS:**

1 Hole and 2 Hole Straps for EMT and Rigid Conduit