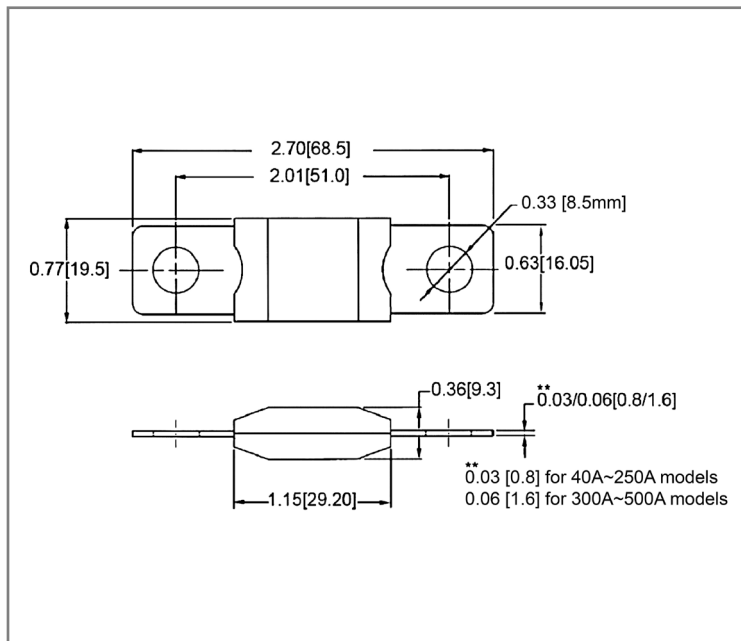


# Automotive Bolt-On Fuse (MEGA Style)

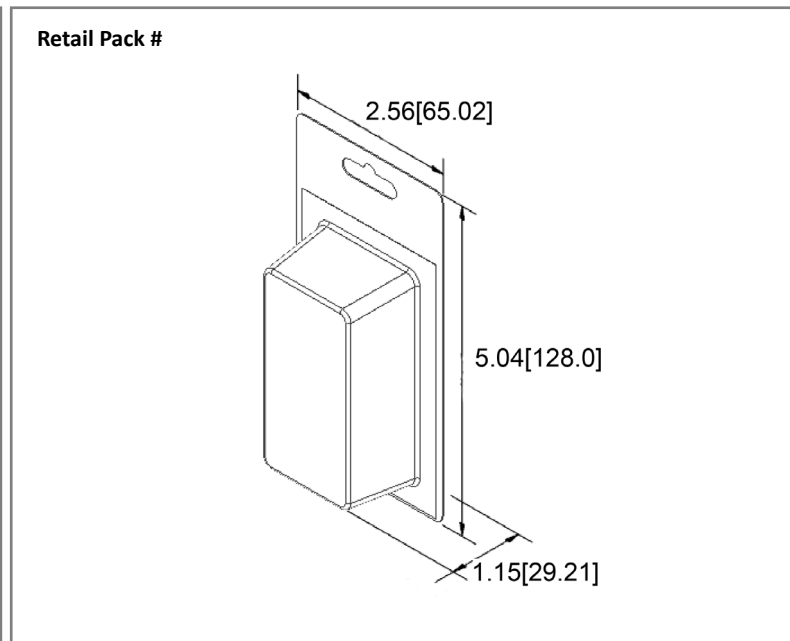
## MGGA-B



### Mechanical Dimensions: Inches [mm]



### Retail Pack: Inches [mm]



### Part Numbers Information

Amperage	Bulk Part #	Retail Pack # Blister Card	Pack Size
40A	MGGA-40A-B	-	-
50A	MGGA-50A-B	-	-
60A	MGGA-60A-B	-	-
70A	MGGA-70A-B	-	-
80A	MGGA-80A-B	MGGA-80A-BP	1
90A	MGGA-90A-B	-	-
100A	MGGA-100A-B	MGGA-100A-BP	1
125A	MGGA-125A-B	MGGA-125A-BP	1
150A	MGGA-150A-B	MGGA-150A-BP	1
175A	MGGA-175A-B	MGGA-175A-BP	1
200A	MGGA-200A-B	MGGA-200A-BP	1
225A	MGGA-225A-B	MGGA-225A-BP	1
250A	MGGA-250A-B	MGGA-250A-BP	1
300A	MGGA-300A-B	MGGA-300A-BP	1
350A	MGGA-350A-B	-	-
400A	MGGA-400A-B	-	-
450A	MGGA-450A-B	-	-

### Electrical Specifications

Voltage Rating	32VDC
Interrupting Rating	2000A@32VDC
Operation Temperature	-40°C ~ 125°C
Testing	ISO 8820-5

### Material Specifications

Body Material	PPA-GF33FR (UL 94V-0)
Body Color	Black
Terminals	Copper with tin plated
Mounting Hole Size	M8
Mounting Torque	20N.m ± 1N.m

## Time vs. Percent of Rated Current

% of Rated Current	Current Rating	Min Hold Time	Max Hold Time
75%	40A~250A	-	-
	300A~500A	14400s	-
100%	40A~250A	14400s	-
	300A~500A	-	-
135%	40A~250A	120s	1800s
	300A~500A	-	-
200%	40A~250A	1s	15s
	300A~500A	1s	15s
350%	40A~250A	0.3s	5s
	300A~500A	0.5s	5s
600%	40A~250A	0.1s	1s
	300A~500A	-	-

**Disclaimer:** Information provided is believed to be accurate and reliable. Users are responsible for confirming the suitability and performance of any OptiFuse product for their particular application. These products may not be appropriate for every use, and proper evaluation is recommended before implementation. For additional information, please visit [optifuse.com/product-disclaimer](http://optifuse.com/product-disclaimer).

Specifications are subject to change without notice

Rev	Date of issue	Revision Notes	Designed	Approved
H	03-30-2026	Adding MGGA-350A-B	RC	OF