

Non-EUSERC Combination Service Entrance Devices



Standard Design Non-EUSERC Panel

Compact Design

Non-EUSERC Combination Service Entrance Devices

Product Description

A device that may include a meter socket, main breaker and loadcenter section within the same enclosure.

- Meter main = meter socket and main breaker
- Meter breaker = meter socket, main breaker and loadcenter section

Application Description

Eaton’s line of non-EUSERC meter breakers are designed for customers served by utilities that are not members of EUSERC.

Contents

| Description | Page |
|------------------------------------------------------------------|-----------------|
| Residential Meter Breakers | V1-T4-35 |
| Non-EUSERC Combination Service Entrance Devices 100–200 A Styles | |
| Catalog Number Selection | V1-T4-38 |
| Product Selection | V1-T4-38 |
| EUSERC Required Service Entrance Devices 100–225 A | V1-T4-41 |
| West Coast All-In-One Design | V1-T4-44 |
| House Panels | V1-T4-48 |
| Aluminum Meter Breakers | V1-T4-53 |
| CH Style Renovation Solutions | V1-T4-54 |
| Commercial Safety Sockets | V1-T4-55 |
| Meter Breakers Accessories | V1-T4-58 |

Features, Benefits and Functions

Meter Mains and All-in-Ones

- Single-phase, three-wire, 120/240 Vac, 10 kAIC
- Larger lay-in lugs and 3-inch (76.2 mm) knockouts for ease of installation
- Box-type main lugs included
- Factory-installed neutral
- Hub provisions on top endwall. If hubs are required, order “DS” style
- Ring, ringless and ringless with horn bypass styles available
- Ringless style, provided with embossed covers and security latch for utility company lock
- Padlockable device covers provide additional measure of safety and help prevent tampering
- NEMA 3R rainproof construction

Meter Mains

- Meter socket and main breaker
- Stainless steel latches on meter compartments in MBP types
- No distribution section included

All-in-Ones

- Meter socket and loadcenter distribution section
- Stainless steel latches on meter compartments
- Several designs with horn bypass and fifth jaw
- Center-fed main breaker, lugs or provision
- Uses Type BR 1-inch (25.4 mm) wide branch breakers
- Special channel for top exit

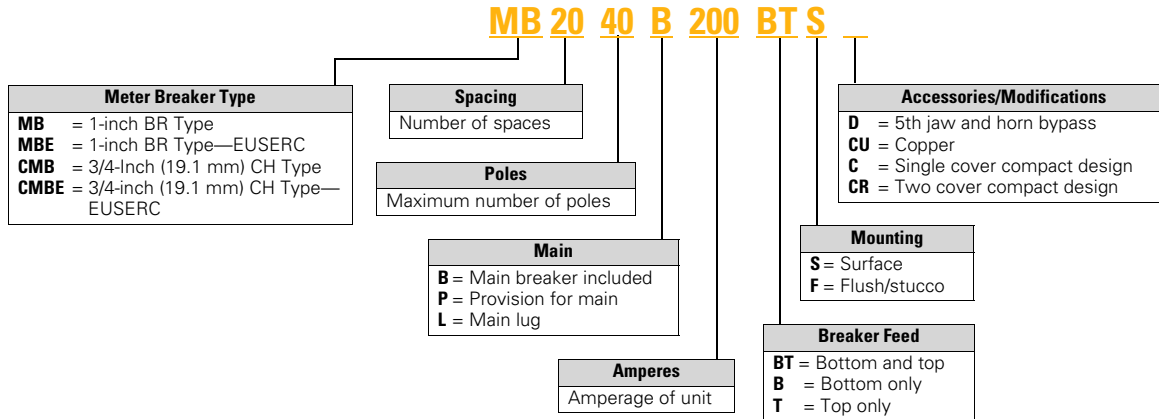
4.2

Metering Products

Meter Breakers

4

Catalog Number Selection



Product Selection

Main Breaker Selection Chart

| Maximum Ampere Rating | Two-Pole Breaker Catalog Numbers | | | |
|-------------------------------------------|----------------------------------|----------------|-----------------|-----------------|
| | 10 kAIC | 25 kAIC | 25 kAIC | 35 kAIC |
| 100 | BW2100 | CSR2100 | CSR2100N | CSH2100N |
| 125 | BW2125 | CSR2125 | CSR2125N | CSH2125N |
| 150 | BW2150 | CSR2150 | CSR2150N | CSH2150N |
| 200 | BW2200 | CSR2200 | CSR2200N | CSH2200N |
| Load Side Lug Kit for BW and CSR Breakers | | | MCBK225 | |

Note: See knockout drawings on Pages V1-T4-61 through V1-T4-67 for hub information.

Ring Style All-in-Ones



4

Combination Service Entrance Devices—Non-EUSERC, continued

| Ampere Rating | Bypass | Service | kAIC | Jaws | Distribution | Main | Branch Breaker Type | Dimensions and Enclosure Shape ① | Page Numbers | Knockout ① | Catalog Number |
|---------------------------------------------------------------|--------|---------|------|------|--------------|------------------------------------|---------------------|----------------------------------|--------------|---------------------|----------------|
| Ring Style All-in-Ones (includes distribution section) | | | | | | | | | | | |
| 125 | None | OH/UG | ② | 4 | 2/4 | None—refer to Distribution CSR2150 | CH | 2 | V1-T4-62 | CMB24L125BTS ④⑤ | |
| 150 | None | OH/UG | 22 | 4 | 8 | | CH | 3 | | | V1-T4-62 |
| 200 | None | OH/UG | 10 | 4 | 4/8 | CSR2200 | BR | 3 | V1-T4-62 | MB48B200BTS ⑤⑥ | |
| 200 | None | OH/UG | 22 | 4 | 8 | CSR2200 | CH | 3 | V1-T4-62 | CMB88B200BTS ④⑤⑥ | |
| 200 | None | UG | 22 | 4 | 32/42 | CSR2200 | CH | 7 | V1-T4-61 | CMB3242B200BS ④⑤ | |
| 200 | None | OH/UG | 22 | — | 42/42 | — | CH | — | — | CMB4242B200BTS ④ | |
| Ringless All-in-Ones (includes distribution section) | | | | | | | | | | | |
| 125 | None | OH/UG | 22 | 4 | 4/8 | CSR2125 | BR | 21 | V1-T4-64 | MBT48B125BTS | |
| 150 | None | OH/UG | 22 | 4 | 4/8 | CSR2150 | BR | 21 | V1-T4-64 | MBT48B150BTS | |
| 150 | Horn | OH/UG | 10 | 5 | 8/16 | BW2150 | BR | 11 | — | MB816B150STD | |
| 150 | Horn | OH/UG | 10 | 5 | 20/40 | BW2150 | BR | 11 | V1-T4-66 | MB2040B150SD | |
| 200 | None | OH/UG | 10 | 4 | 8/16 | CSR2200 | BR | 10 | V1-T4-66 | MB816B200BTS ⑤⑥ | |
| 200 | None | OH/UG | 10 | 4 | 8/16 | CSR2200 | BR | 10 | V1-T4-66 | MB816B200BTSCU ④⑤⑥ | |
| 200 | Horn | OH/UG | 10 | 5 | 8/16 | BW2200 | BR | 11 | — | MB816B200STD | |
| 200 | None | OH/UG | ② | 4 | 8/16 | Provision ③ | BR | 10 | V1-T4-66 | MB816P200BTS ⑤⑥ | |
| 200 | None | OH/UG | ② | 4 | 8/16 | Provision ③ | BR | 10 | V1-T4-66 | MB816P200BTSCU ④⑤⑥ | |
| 200 | Horn | OH/UG | ② | 5 | 8/16 | Provision ③ | BR | 11 | V1-T4-66 | MB816P200STD ⑥ | |
| 200 | Horn | OH/UG | ② | 5 | 8/16 | Provision ③ | BR | 10 | V1-T4-66 | MB816P200BTD ⑥ | |
| 200 | None | OH/UG | 10 | 4 | 12/12 | CSR2200 | CH | 10 | V1-T4-62 | CMB1212B200BTS ④⑤⑥ | |
| 200 | None | OH/UG | ② | 4 | 6–2 Pole | Main lugs | CH | 9 | V1-T4-63 | CMB1212L200BTS ④⑥ | |
| 200 | None | OH/UG | ② | 4 | 12/12 | Provision ③ | CH | 10 | V1-T4-63 | CMB1212P200BTS ④⑤⑥ | |
| 200 | None | OH/UG | ② | 4 | 6–2 Pole | Main lugs | BR | 9 | V1-T4-63 | MB1212L200BTS ⑥ | |
| 200 | None | OH/UG | 22 | 4 | 24/24 | CSR2200 | CH | 10 | V1-T4-66 | CMB2424B200BTS ④⑤ | |
| 200 | None | OH/UG | 22 | 4 | 24/36 | CSR2200 | CH | 10 | V1-T4-66 | CMB2436B200BTS ④ | |
| 200 | None | OH/UG | 10 | 4 | 20/40 | CSR2200 | BR | 10 | V1-T4-66 | MB2040B200BTS | |
| 200 | None | OH/UG | ② | 4 | 20/40 | Provision ③ | BR | 10 | V1-T4-66 | MB2040P200BTS ⑤ | |
| 200 | Horn | OH/UG | ② | 5 | 20/40 | Provision ③ | BR | 11 | V1-T4-66 | MB2040P200SD | |
| 200 | Horn | OH/UG | 10 | 5 | 20/40 | CSR2200 | BR | 10 | V1-T4-66 | MB2040B200SD | |
| 200 | Lever | OH/UG | 10 | 5 | None | CSR2200 | None | 14 | V1-T4-65 | CMBXB200BTS ④⑦ | |
| 200 | Lever | OH/UG | 10 | 5 | 12/12 | CSR2200 | CH | 14 | V1-T4-65 | CMBX1212B200BTS ④⑥⑦ | |
| 200 | Lever | OH/UG | 10 | 5 | 32/42 | CSR2200 | CH | 14 | V1-T4-65 | CMBX3242B200BTS ④⑦ | |
| 200 | Lever | OH/UG | 10 | 5 | None | Provision | None | 14 | V1-T4-65 | CMBXP200BTS ④⑦ | |
| 200 | Lever | OH/UG | 10 | 5 | 12/12 | Provision | CH | 14 | V1-T4-65 | CMBX1212P200BTS ④⑥⑦ | |
| 200 | Lever | OH/UG | 10 | 5 | 32/42 | Provision | CH | 14 | V1-T4-65 | CMBX3242P200BTS ④⑦ | |
| 200 | None | OH/UG | ② | 4 | 4/8 | Provision | BR | 21 | V1-T4-65 | MBT48P200BTS ⑥ | |
| 200 | None | OH/UG | 22 | 4 | 4/8 | CSR2200 | BR | 21 | V1-T4-65 | MBT48B200BTS ⑥ | |

Notes

- ① See Page V1-T4-61 for box details.
- ② Per installed main breaker rating.
- ③ When a provision for main is provided, order one of the main breakers listed on Page V1-T4-38. All panels are dual labeled to accept Types BW, CSR, CSH Main Breakers.
- ④ Copper bus.
- ⑤ One-piece cover on utility side, Florida approved.
- ⑥ Units come with feed-through lugs.
- ⑦ Approved by Xcel Energy Inc.

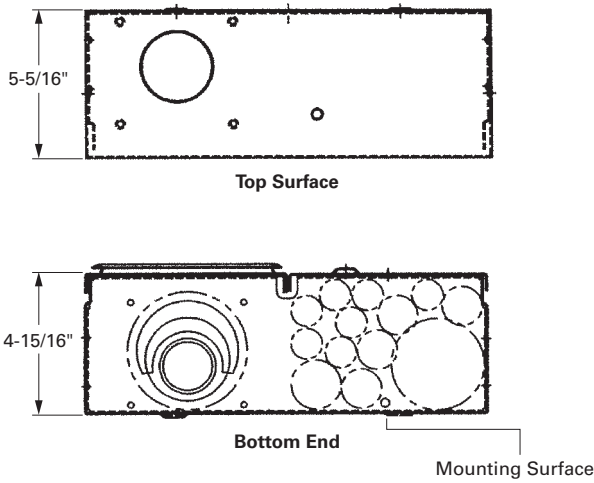
4.2

Metering Products

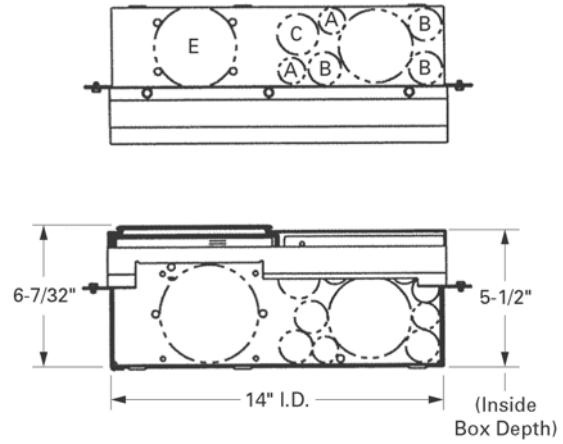
Meter Breakers

Approximate Dimensions in Inches (mm)

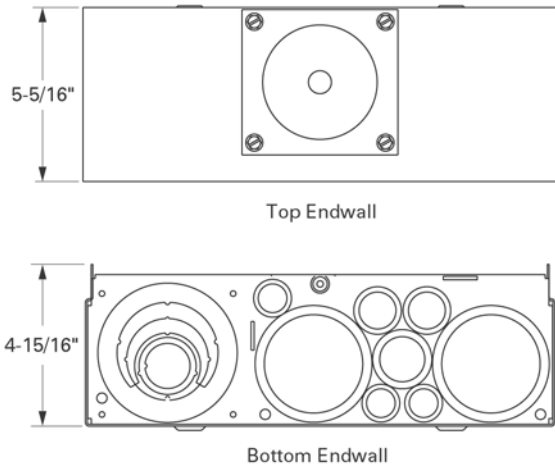
Knockout Configurations and Dimensions for Catalog Numbers MBER48B200BTS and CMBER88B200BTS



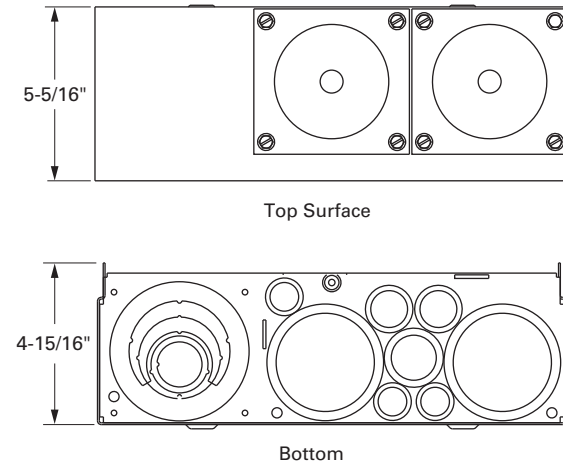
Semi-Flush Stucco Unit Knockout Configurations and Dimensions for MBE2040B200BTS, MBE2040B225BTS, MBE2040B200BTF and MBE2040B225BTF



Knockout Configurations and Dimensions for Catalog Numbers CMBXP200BTS, CMBXB200BTS, CMBX1212P200BTS and CMBX3242P200BTS, CMBX3242B200BTS, CMBX1212B200BTS



Knockout Configurations and Dimensions for Catalog Numbers MBT48B125BTS, MBT48B150BTS, MBT48B200BTS and MBT48P200BTS



Surface Unit Knockout Configurations and Dimensions for MBE2040B200BTS, MBE2040B225BTS, MBE2040B200BTF and MBE2040B225BTF

