



ARC™

Crystal Wall Sconce



SKU	Model #
157036	JXL-BD18-BG20W-5CCT

The Arc Crystal Glass Wall Sconce by Beyond LED Technology is an elegant and modern lighting solution designed to elevate the ambiance of any space. Its sophisticated design, featuring a bubble-textured crystal glass panel, creates a soft, diffused light that reduces glare while providing a warm, inviting glow. Perfect for both residential and commercial applications, this sleek fixture is ideal for enhancing the atmosphere of hotel lobbies, hallways, patios, and entryways. The combination of durable aluminum, metal, and crystal glass ensures a timeless aesthetic and long-lasting performance, making it a perfect choice for high-end commercial environments and luxury spaces.

Product Features

- 20 Watt
- Adjustable CCT
- 180° Beam Angle
- Aluminum, metal, and crystal glass construction
- Input Voltage: 120VAC
- ETL Listed
- 3-year warranty

CRYSTAL WALL SCONCE

ARC™

Crystal Wall Sconce



SKU	WATT	MAX LUMENS	ADJ. CCT	INPUT VOLTAGE	CRI	FIXTURE SIZE	LIGHT SPREAD	CONSTRUCTION	DIMMING	IP RATING	CERTIFICATIONS
157036	20W	800	2700K/3K/ 3500K/ 4K/5K	120V	>82	18"	180°	Aluminum, Metal, & Crystal Glass	Yes	IP65	ETL

SKU: 157036

Specifications

Parameter	Description	Value
General Performance	Model #	JXL-BD18-BG20W-5CCT
	Watt	20W
	Max Lumens	800
	Lumen Efficacy	Up to 45LM/W
	Color Temperature	2700K / 3000K / 3500K / 4000K / 5000K
	CRI (Ra)	>82
	Light Spread	180°
	Diffuser Type	Glass Lens
Electrical	Input Voltage	120Vac
	Frequency	50/60Hz
	Dimming	Yes
	Power Factor	≥0.95
	Driver Surge Protection	<1000V
	Flicker Percent	<30%
Physical	Operating Temperature	-20°C to 40°C
	Operating Humidity	10% ~ 40%RH
	Storage Temperature	-20°C to 60°C
	Storage Humidity	10%-90%RH
	LED Brand	San'an
	LED Type	SMD3030
	LED QTY	24 Pcs
	Construction	Aluminium+Metal+Glass
Qualification	Housing Color	Matt Black
	IP Rating	IP65
	Warranty	3 Years

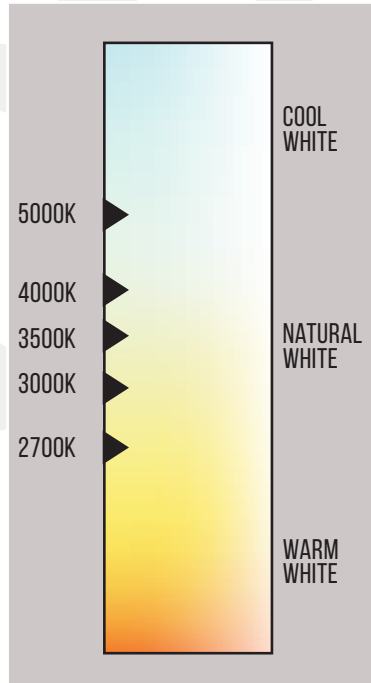
CRYSTAL WALL SCONCE



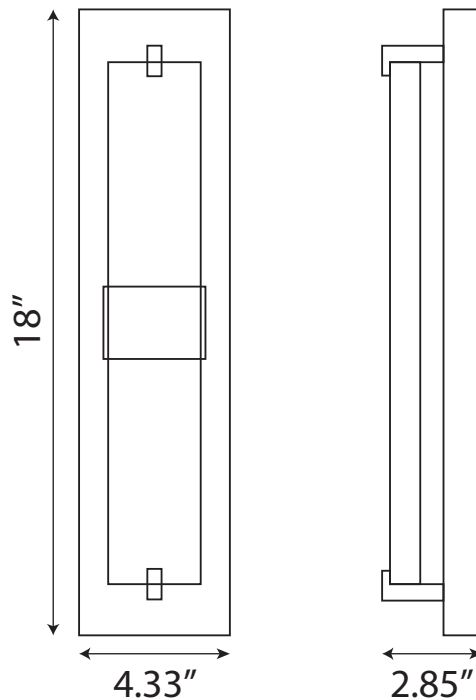
ARC™

Crystal Wall Sconce

Correlated Color Temperature (CCT)



Dimensions



CRYSTAL WALL SCONCE

ARC™

Crystal Wall Sconce



Product Appearance



Premium bubble glass
aluminum housing



Fully Integrated LED Light



5CCT Color Selectable

AC 120/230V

CRYSTAL WALL SCONCE



ARC™

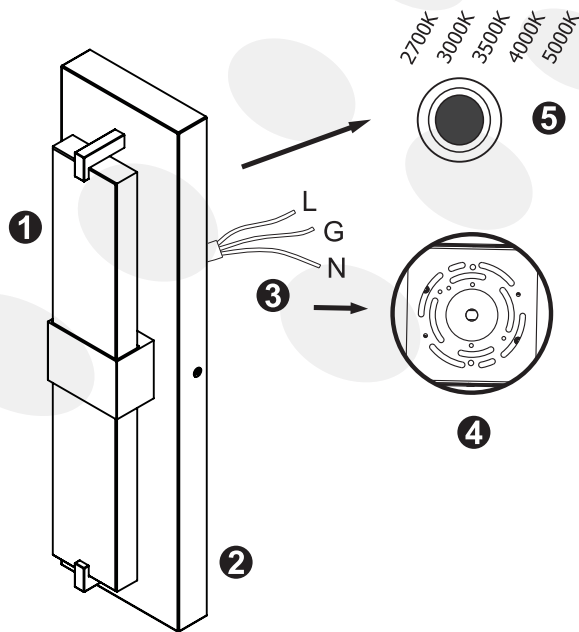
Crystal Wall Sconce

Installation

FIXTURE INSTALLATION

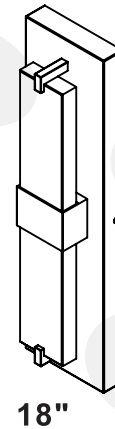
Important: Read all instructions in order to ensure safety and proper installation.

DO NOT operate this product under any conditions other than those for which it is specified. Failure to observe these precautions can lead to electrical shock, product failure, or other problems.



PARTS LIST

- ① LED Chip
- ② LED Fixture
- ③ Wire
- ④ Mounting Plate
- ⑤ CCT Adjustable Switch



Specification	Wattage	Input Voltage	Dimensions L x W x H	Equivalent to
12' LED Crystal Bubble Glass Wall Light	20W	120Vac	5" x 12" x 3.66"	70W

MAINTENANCE

READ ALL INSTRUCTIONS IN ORDER TO ENSURE SAFETY AND PROPER INSTALLATION.

- DO NOT operate this product under ANY conditions other than those specified for it. Failure to observe these precautions can lead to electrical shock, product failure or other problems.
- TURN OFF THE POWER at the electrical panel before installation or maintenance.
- DO NOT modify this fixture. ANY modifications may render the product unsafe and void the warranty.
- This product is rated for outdoor use.

ARC™

Crystal Wall Sconce



Installation

Limited Warranty

The warranty applies to the product from the original date of purchase for three (3) years against manufacturing defects. The owner must provide a copy of the original proof of purchase. The manufacturer's obligation under this warranty is limited to repairing or replacing the component. It is not related in any way to the cost of the connection, the installation of the replacement parts or cost of transport.

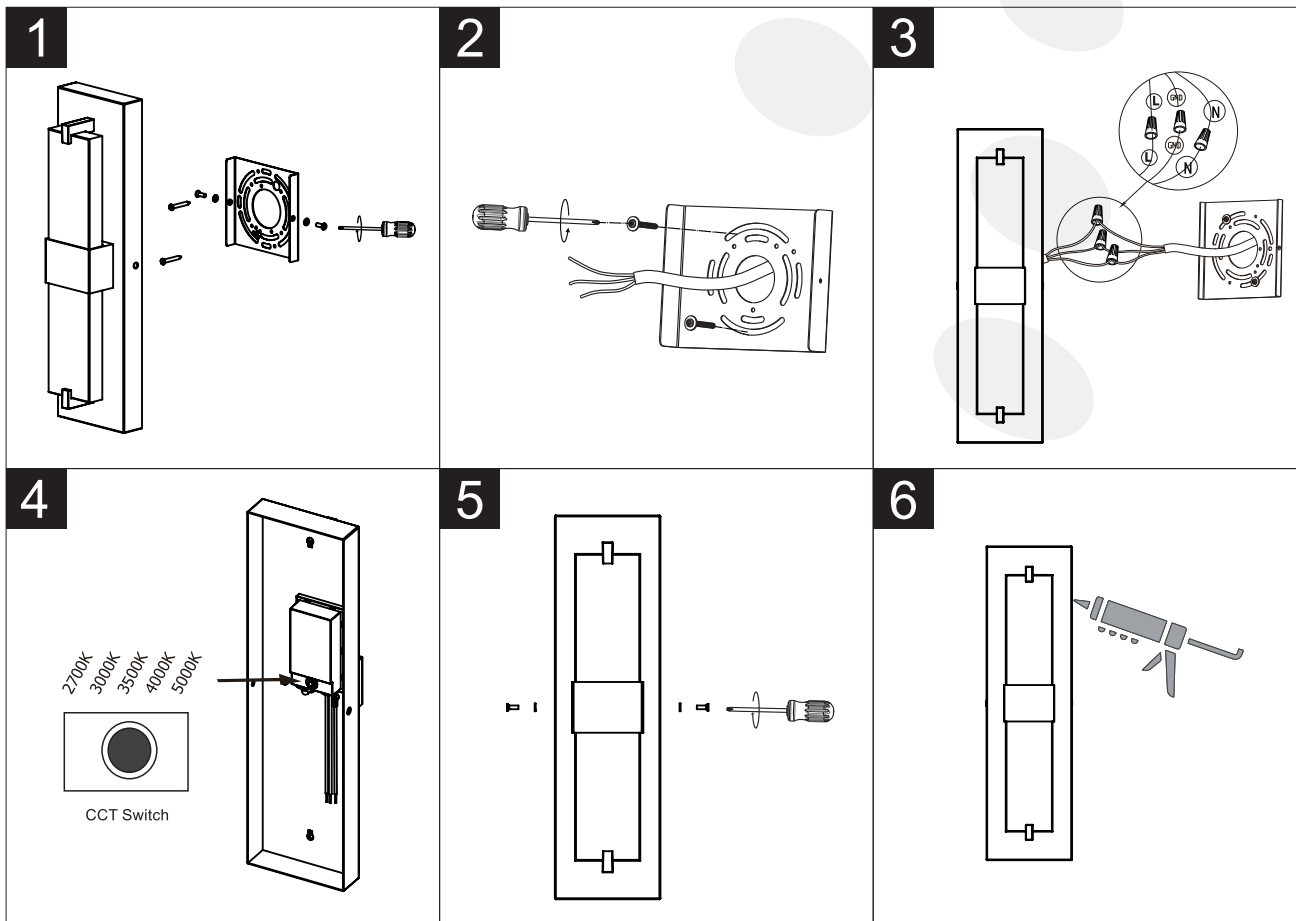
Package Content

- Wall Lamp x 1
- Wire Connectors x 3
- Screws x 4
- Mounting plate x 1

! WARNING

Turn power OFF from electrical panel before installation or maintenance.

1. Take off the mounting bracket from the light fixture.
2. Attached the mounting bracket to the J-box /wall by 2 screws.
3. Use wire connectors to make all wire connections. Twist connectors until wires are tightly joined together
4. Select your ideal CCT through the CCT switch.
5. Fix the light fixture to the mounting bracket by 2 screws on the side.
6. Using exterior grade caulk, caulk the gap between the luminaire and mounting surface, do not caulk the bottom of the fixture backplate to ensure proper moisture drainage. Installation is done.





ARC™

Crystal Wall Sconce

Packaging

SKU	Box Dimension	Qty	Net Weight	Gross Weight
157036	21.37" x 17.08" x 14.96"	6 Pcs/Box		

Application Picture



Warranty

This product is covered under a 3-year warranty. For complete warranty details, [Click Here.](#)