



INSTALLATION, OPERATION & MAINTENANCE INSTRUCTIONS

1455 Kleppe Lane ♦ Sparks, NV 89431-6467 ♦ (775) 359-4712 ♦ Fax (775) 359-7424
E-mail: haws@hawsco.com ♦ website: www.hawsco.com

No. 0002080048 (18)

Model 7433FP Freeze Resistant Eye/Face Wash

NOTE TO INSTALLER: Please leave this information with the Maintenance Department.

LIMITED WARRANTY

HAWS warrants that this specific product is guaranteed against defective material or poor workmanship for a period of **one year from date of shipment**. HAWS liability under this warranty shall be discharged by furnishing without charge F.O.B. HAWS Factory any goods, or part thereof, which shall appear to the Company upon inspection to be of defective material or not of first class workmanship, provided that claim is made in writing to Haws within a reasonable period after receipt of the product. Where claims for defects are made, the defective part or parts shall be delivered to the Company, prepaid, for inspection. HAWS will not be liable for the cost of repairs, alterations or replacements, or for any expense connected therewith made by the owner or his agents, except upon written authority from HAWS, Sparks, Nevada. HAWS will not be liable for any damages caused by defective materials or poor workmanship, except for replacements, as provided above. Buyer agrees that Haws has made no other warranties either expressed or implied in addition to those above stated, except that of title with respect to any of the products or equipment sold hereunder and that HAWS shall not be liable for general, special, or consequential damages claimed to arise under the contract of sale.

The emergency equipment manufactured by HAWS is warranted to function if installation and maintenance instructions provided are adhered to. The units also must be used for the purpose for which they were intended. This product is intended to supplement first-aid treatment. Due to widely varying conditions, Haws cannot guarantee that the use of this emergency equipment will prevent serious injury or the aggravation of existing or prior injuries.

NO OTHER WARRANTIES EXPRESSED OR IMPLIED ARE AUTHORIZED, PROVIDED OR GIVEN BY HAWS.

SHOULD YOU EXPERIENCE DIFFICULTY WITH THE INSTALLATION OF THIS MODEL PLEASE CALL:

TECHNICAL SUPPORT: 1-800-766-5612

FOR CUSTOMER SERVICE: 1-888-640-4297

LOCATION OF UNIT: The Model 7433FP Emergency Eye/Face Wash should be installed in close proximity to potential accident areas. It should be clearly identified free from obstructions and easy to access.

SUPPLY LINE: The minimum recommended line size is 1/2" NPT with 30-90 psi (2-6 ATM) flowing pressure. Where sediment or mineral content is a problem, an inlet filter is recommended.

PLUMBING CONNECTIONS: Inlet supply is female 1/2" NPT. Waste outlet is 1-1/4" NPT.

MAINTENANCE: In freezing conditions, wipe eye/face wash head and dust cover dry after each use to prevent unwanted ice build up.

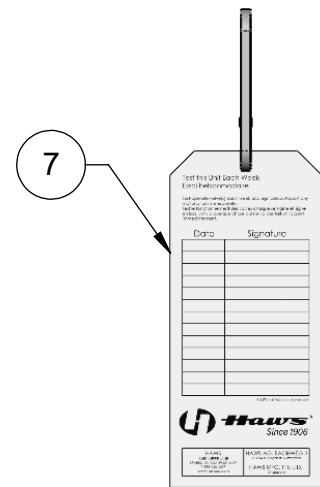
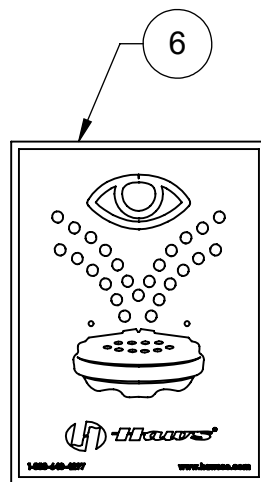
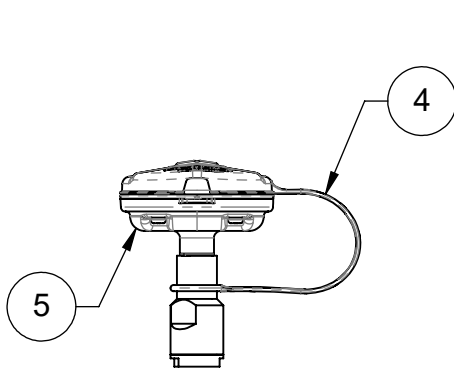
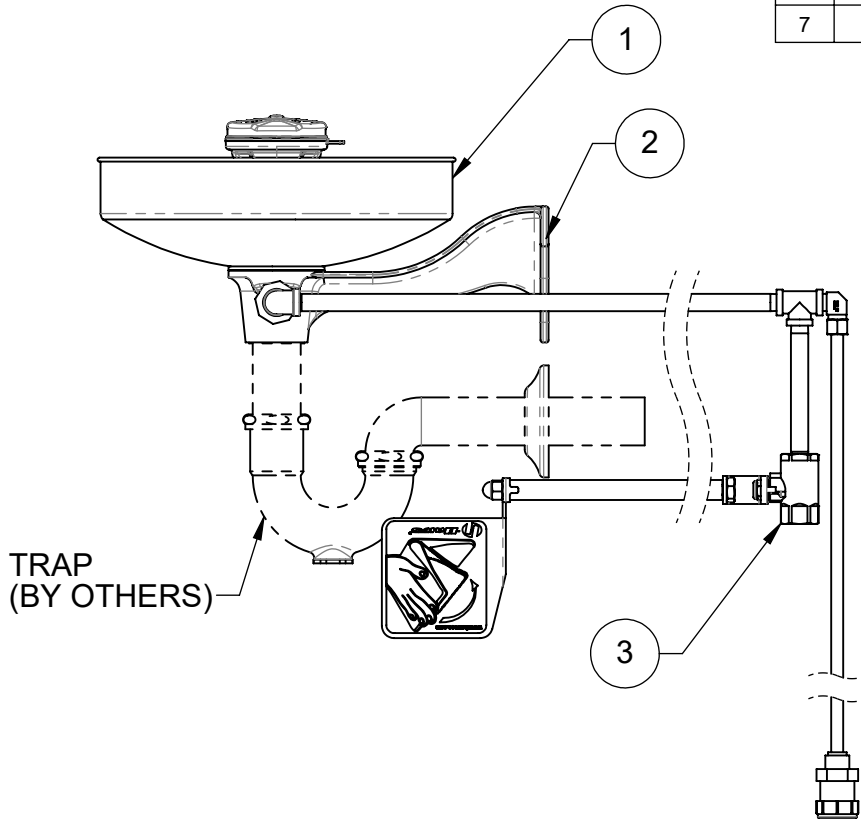
TROUBLESHOOTING

PROBLEM	REPAIR CHECKLIST
1. No flow.	1. Check the main shut-off valve.
2. Insufficient water flow.	2. a. Verify minimum 30 psi flowing supply line pressure. b. Probable clogging of flow control due to inadequate line flushing. Unscrew eye/face wash head and adapter. Disassemble adapter to gain access and clean rubber flow control.
3. Eye/face wash streams do not meet desired eye level.	3. Possible blocked flow control, see above solution. Possible non-leveled eye/face wash assembly.
4. Water does not drain properly.	4. Check the main waste line of your building to see if it does handle the capacity required for the entire drainage system.

For more information about Haws products, see our website: www.hawesco.com

THIS DOCUMENT IS TRUE AND CORRECT AT TIME OF PUBLICATION. CONTINUED PRODUCT IMPROVEMENTS MAKE SPECIFICATIONS AND MEASUREMENTS SUBJECT TO CHANGE WITHOUT NOTICE.

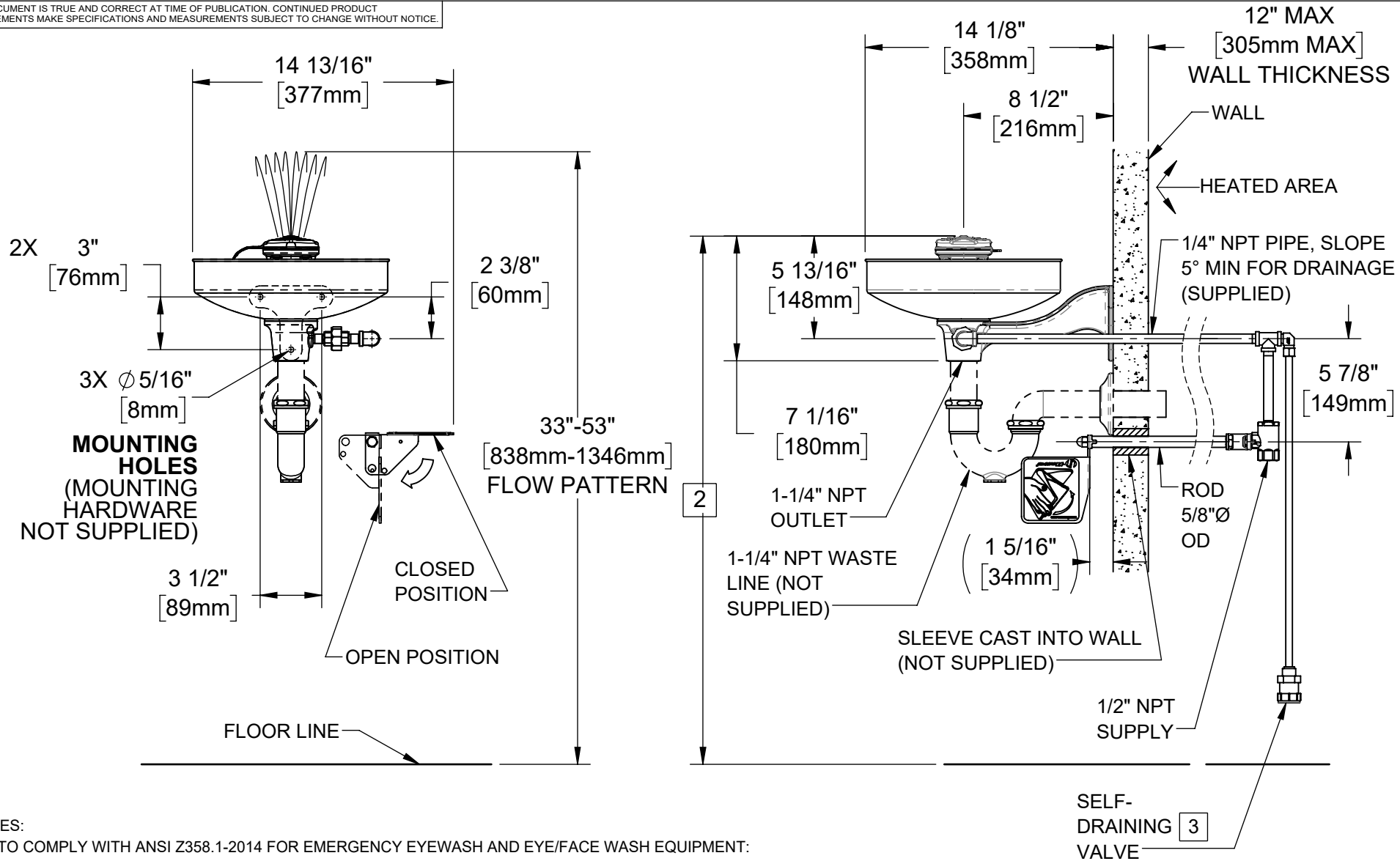
ITEM	DESCRIPTION	PART NO.
1	EYEWASH BOWL	SP90
2	EYEWASH MOUNTING BRACKET	SP80
3	BALL VALVE WITH EXTENSION	SP402
4	AXION EYEWASH DUST COVER	9091
5	AXION EYE/FACE WASH	SP65CTFP
6	EYEWASH SIGN	SP175
7	TEST TAG	SP170



PARTS BREAKDOWN

WHEN ORDERING PARTS, PLEASE SPECIFY PART NUMBER

		1455 KLEPPE LANE SPARKS, NEVADA 89431 (775) 359-4712 FAX (775) 359-7424 E-MAIL: HAWS@HAWS.CO.COM WEBSITE: WWW.HAWS.CO.COM	
ECN:	REV. ECN: 6264	BY: JU	MODEL(S):
DRAWN: TRF	DATE: 05/91	CHKD: DN	7433FP EYE/FACE WASH FREEZE RESISTANT
APPROVED: JU	DATE: 12/19/25	SCALE: 1:6	DRAWING TYPE: PARTS BREAKDOWN
			PART NUMBER: 0002080048
			REVISION: 18
			SIZE: A SHEET 1 OF 1



NOTES:

1. TO COMPLY WITH ANSI Z358.1-2014 FOR EMERGENCY EYEWASH AND EYE/FACE WASH EQUIPMENT:
 - UNIT SHALL BE INSTALLED IN ACCORDANCE WITH MANUFACTURER'S INSTRUCTIONS AND ACCEPTABLE PLUMBING PRACTICES.
 - EYEWASH STREAMS SHALL BE POSITIONED SUCH THAT STREAMS ARE 15.3 CM (6 IN.) MINIMUM FROM THE WALL OR NEAREST OBSTRUCTION AND, WHEN FLOWING AT 30-30.5 PSI, MEET ANSI GAUGE REQUIREMENTS BETWEEN 83.8 & 134.6 CM (33-53 IN) ABOVE FLOOR.
2. HEIGHT IS DETERMINED BY WATER FLOW PATTERN HEIGHT SHOWN, WHICH IN TURN, IS DEPENDENT ON IN-LINE SUPPLY PRESSURE.
3. VALVE IS SELF-DRAINING. THIS PERMITS STANDING WATER TO DRAIN AFTER EACH USE PREVENTING FREEZE-UPS. PROPER PROVISIONS MUST BE MADE FOR DRAINAGE.
4. WHEN INSTALLING THIS UNIT, LOCAL, STATE, OR FEDERAL CODES SHOULD BE ADHERED TO. INSTALL A TRAP IN THE WASTE LINE AND A SCREWDRIVER STOP IN THE SUPPLY LINE IF REQUIRED.
5. HOLD ROUGH-IN DIMENSIONS ±1/2" (12.7mm).

		1455 KLEPPE LANE SPARKS, NEVADA 89431 (775) 359-4712 FAX (775) 359-7424 E-MAIL: HAWS@HAWSO.COM WEBSITE: WWW.HAWSO.COM	
		ECN: [] REV. ECN: 6264 BY: JU DRAWN: TRF DATE: 05/91 CHKD: DN APPROVED: JU DATE: 12/19/25	MODEL(S) 7433FP EYE/FACE WASH FREEZE RESISTANT
SCALE: 1:8		DRAWING TYPE: INSTALLATION	