



EXTERNAL DRIVE LED

TYPE C LED TUBES

KT-LED22T5HO-48G-8XX-E

T5 LED LAMP

DESCRIPTION

22W T5 LED Tube | Type C | 3500/4000/5000K | > 82
CRI | 0-10V Dimming



LAMP TYPE: Linear
BULB TYPE: T5 LED
BASE TYPE: G5
DIMMING TYPE: 0-10V
WATTAGE: 22W
LAMP INPUT VOLTAGE: 36-45Vdc
COLOR TEMPERATURE: 3500/4000/5000K
COLOR RENDERING INDEX (CRI): > 82



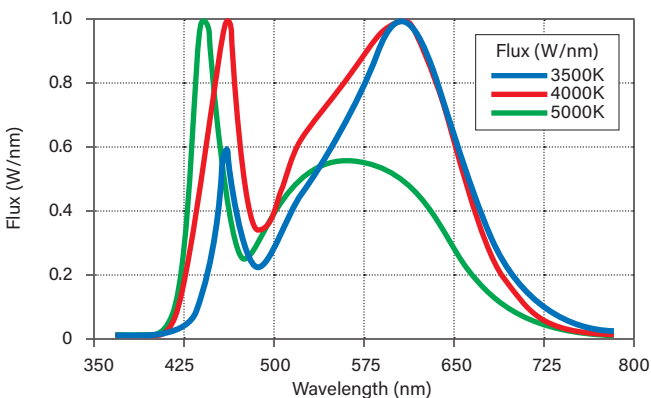
PRODUCT FEATURES

- UL Type C LED tubes, powered by Keystone Type C LED drivers
- UL Classified Std. 1598C
- Glass construction with metal end caps
- Operating temperature: -20°C/-4°F to 45°C/113°F
- THD <15% at full driver load
- PF > 0.90 at full driver load
- 0-10V dimmable
- 50,000+ hours lifetime
- Keystone tube and driver pairing wires either single-ended or double-ended. See wiring diagrams for details and common ballast retrofit scenarios
- Low optical flicker

LAMP SPECIFICATIONS

Catalog Number	Color Temp.	Driver: KTLD-2LT5HO-UV-22C-VDIM						Driver: KTLD-4LT5HO-UV-22C-VDIM						
		1 Lamp			2 Lamps			3 Lamps			4 Lamps			
		Nominal Input Power	Nominal Lumens	Nominal Efficacy	Nominal Input Power	Nominal Lumens	Nominal Efficacy	Nominal Input Power	Nominal Lumens	Nominal Efficacy	Nominal Input Power	Nominal Lumens	Nominal Efficacy	Power Factor
KT-LED22T5HO-48G-835-E	3500K	25W	3200 lm	128 lm/W	50W	6400 lm	128 lm/W	75W	9600 lm	128 lm/W	100W	12800 lm	128 lm/W	> 0.9
KT-LED22T5HO-48G-840-E	4000K	25W	3300 lm	132 lm/W	50W	6600 lm	132 lm/W	75W	9900 lm	132 lm/W	100W	13200 lm	132 lm/W	> 0.9
KT-LED22T5HO-48G-850-E	5000K	25W	3400 lm	136 lm/W	50W	6800 lm	136 lm/W	75W	10200 lm	136 lm/W	100W	13600 lm	136 lm/W	> 0.9

SPECTRAL DISTRIBUTION



RATED LIFE

L70 (Hours)	50,000
-------------	--------

BEAM ANGLE: 240°

VISIBLE LIGHT AREA: 325°



EXTERNAL DRIVE LED

TYPE C LED TUBES

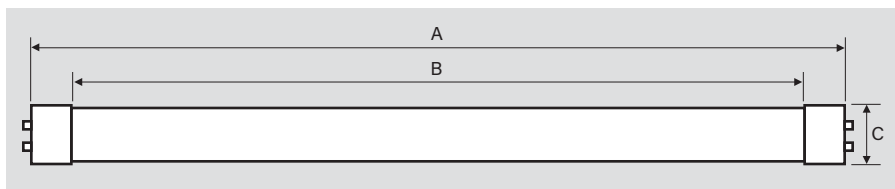
KT-LED22T5HO-48G-8XX-E

T5 LED LAMP

DRIVER SPECIFICATIONS

Catalog Number	Description	Dimensions
KTLD-2LT5HO-UV-22C-VDIM	Driver for (2) 4' T5 Type C lamps; 120-277V input, 0-10V dimming; 520mA output current	1.10" x 1.33" x 9.50"
KTLD-4LT5HO-UV-22C-VDIM	Driver for (4) 4' T5 Type C lamps; 120-277V input, 0-10V dimming; 520mA output current	1.30" x 1.80" x 9.60"

PHYSICAL CHARACTERISTICS

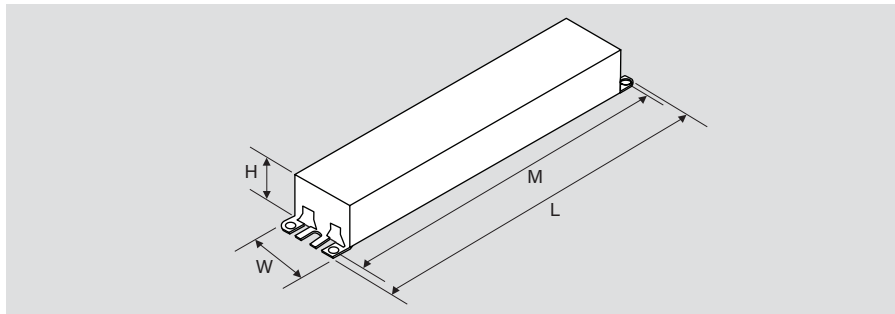


LAMP DIMENSIONS

A (Body Length)	47.24"
B (Illuminated Length)	45.50"
C (Diameter)	0.63"

NOMINAL LENGTH: 48"

BASE TYPE: G5



DRIVER DIMENSIONS

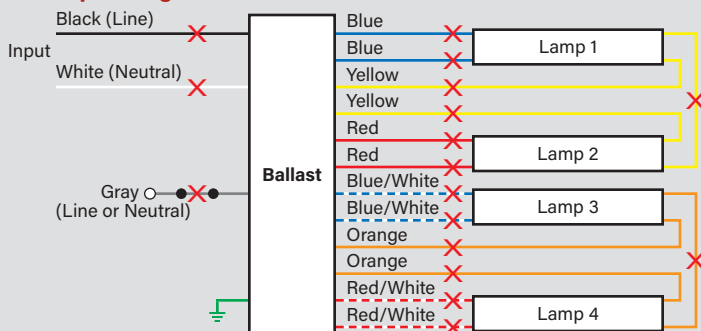
	KTLD-2LT5HO-UV-22C-VDIM		KTLD-4LT5HO-UV-22C-VDIM
L (Length)	9.50"	L (Length)	9.60"
W (Width)	1.33"	W (Width)	1.80"
H (Height)	1.10"	H (Height)	1.30"
M (Mounting)	8.90"	M (Mounting)	8.90"

WIRING INSTRUCTIONS

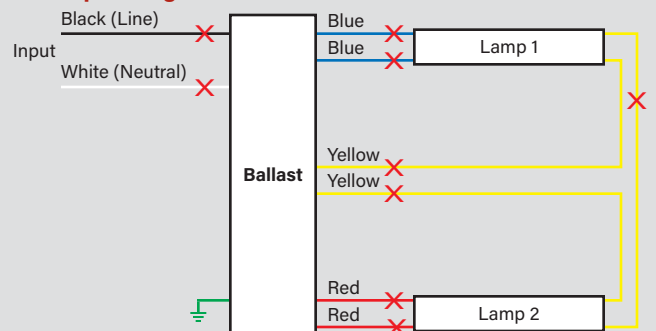
1. Shut off power.
2. Remove existing fluorescent tube(s) and diffuser (if applicable).
3. Open ballast compartment cover, cut all wires (as shown below), and remove existing ballast. Disconnect starter (if applicable).

TYPICAL BALLAST CONFIGURATIONS

4-Lamp Wiring



2-Lamp Wiring



(continued on page 3)



EXTERNAL DRIVE LED

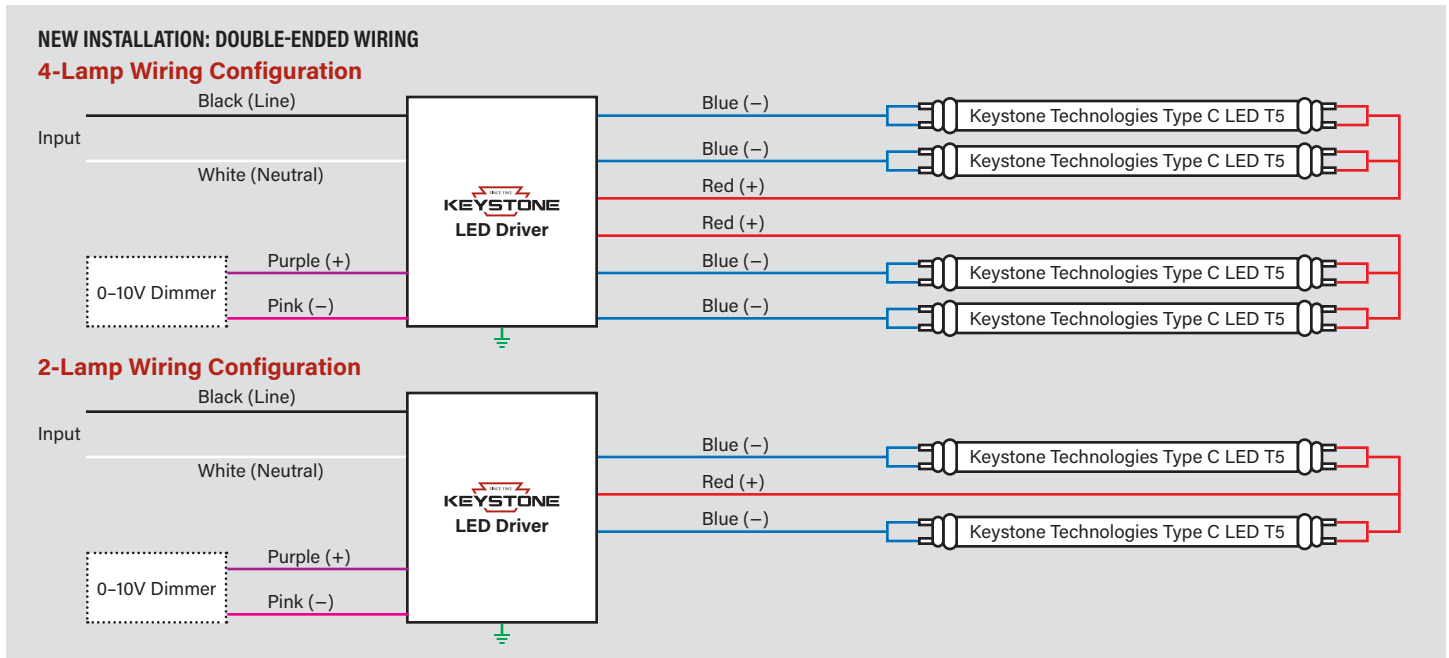
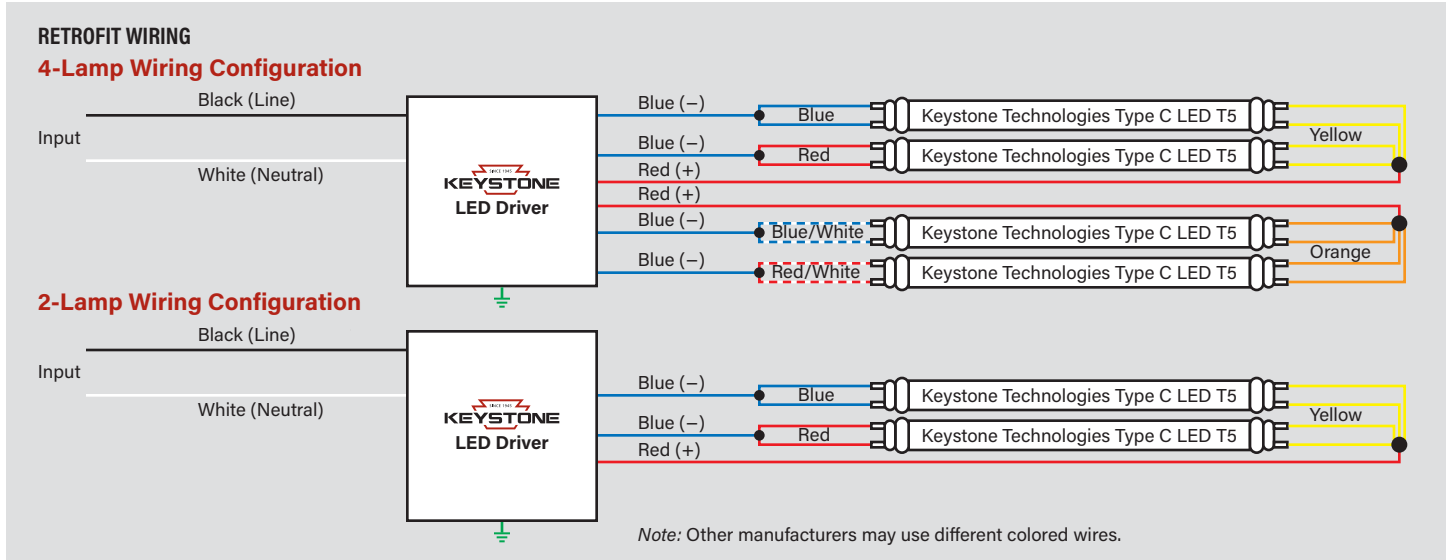
TYPE C LED TUBES

KT-LED22T5HO-48G-8XX-E

T5 LED LAMP

WIRING INSTRUCTIONS (continued)

4. Check the mounting holes of ballast to see whether they are suitable to install LED driver. If not, drill new holes for mounting. Install LED driver to luminaire using screws.
5. Wire according to diagrams (as shown below). **Note: Do not leave any loose wires exposed.**



(continued on page 4)



EXTERNAL DRIVE LED

TYPE C LED TUBES

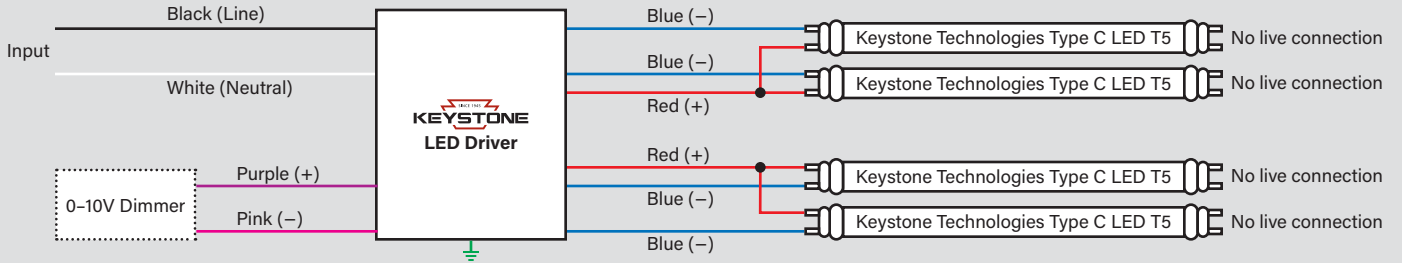
KT-LED22T5HO-48G-8XX-E

T5 LED LAMP

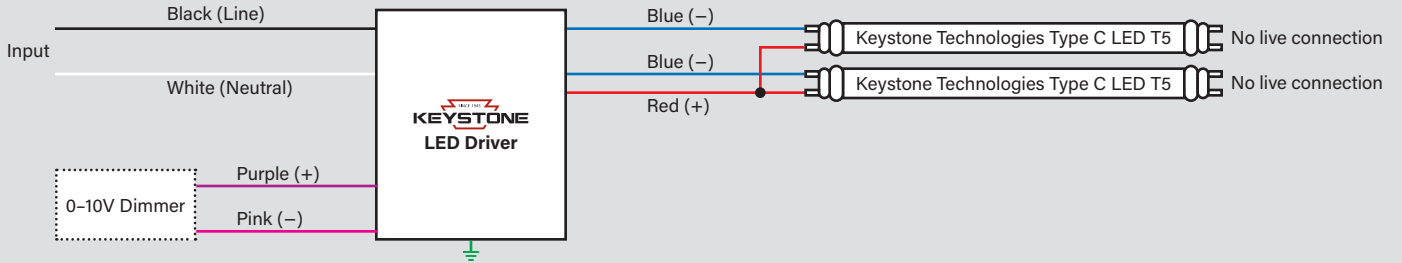
WIRING INSTRUCTIONS *(continued)*

NEW INSTALLATION: SINGLE-ENDED WIRING

4-Lamp Wiring Configuration



2-Lamp Wiring Configuration



Note: In accordance with NEC-20 410.69 2022, all 0-10V negative wires have been updated from gray to pink, Please contact Keystone for details.

6. Close compartment cover and make sure live parts are not accessible. Affix field-applied label in a visible section inside the luminaire.
7. Install the LED tubes and cover the diffuser (if applicable).
8. Turn on power and verify that the tubes are working correctly. **If not, immediately turn off power and contact Keystone Technologies.**

ORDERING INFORMATION

ORDER CODE	PACK QTY.	EASY CODE	UPC	DLC PRODUCT ID
KT-LED22T5HO-48G-835-E	25	RLQ-92	843654121246	PLS65KLZDWXU
				PLW7R2TA4N2I
KT-LED22T5HO-48G-840-E	25	BER-00	843654121253	PLKZADDT1BPY
				PLK7R224AJCR
KT-LED22T5HO-48G-850-E	25	GHY-04	843654121260	PLW37OPVST0C
				PLSPI54EE6R7

CATALOG NUMBER BREAKDOWN

KT-LED22T5HO-48G-8XX-E

- | | | | | | | | | |
|--------------------------------|-------------------|------------------|--------------------|----------------------------------|-----------------------------|-----------------|----------------------------|--------------------------------|
| 1 | 2 | 3 | 4 | 5 | 6 | 7 | 8 | 9 |
| 1 Keystone Technologies | 2 LED Lamp | 3 Wattage | 4 Lamp Type | 5 Nominal Length (Inches) | 6 Glass Construction | 7 80 CRI | 8 Color Temperature | 9 External Drive Series |