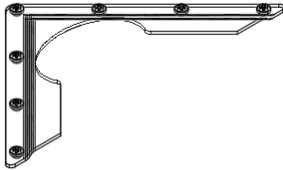


Assembly Instructions — Deluxe Oval Leg *with Optional Caster Kit*

Leg Designed for use with Collaborative Desks and Classic Activity Tables.

Tools Required:

- #2 Phillips head screw driver or cordless screwdriver with #2 Phillips bit
- Soft Mallet



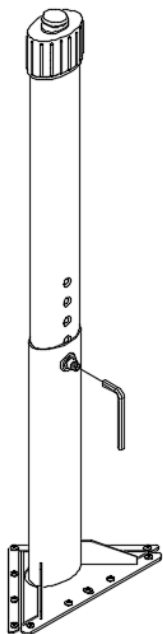
Pre-Installed Leg Mounting Bracket

Step 2

Slide leg fully into the pre-installed bracket. A soft mallet may be used to aid in fully engaging leg into bracket, if needed.

Install Phillips head screws (provided) through the slotted center hole and into the table top. Tighten fully and repeat for remaining four holes.

Repeat step 2 for remaining legs.



Step 3

Adjust each leg to desired height using the provided Hex wrench.

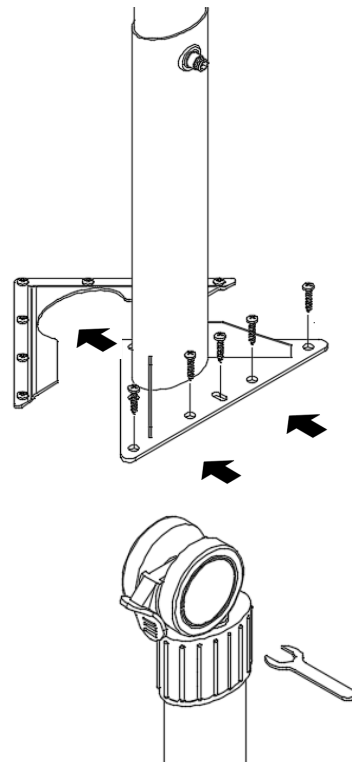
Using two people, turn the table upright and rotate Nylon glides as necessary to level table.

Optional casters can be installed by removing the Nylon leg glides and installing with caster wrench included in the caster hardware kit.

Step 1

Place the table topside down on a clean, non scratching surface.

Heavy duty mounting brackets are pre-installed to the underside of the table top, ensuring quick assembly and perfect alignment of the legs.



Optional Caster



SCAN ME—For Assembly Video