

# KT-CLED-SM-1-KIT

## SURFACE OR PENDANT MOUNT KIT FOR CANOPIES

**DESCRIPTION**

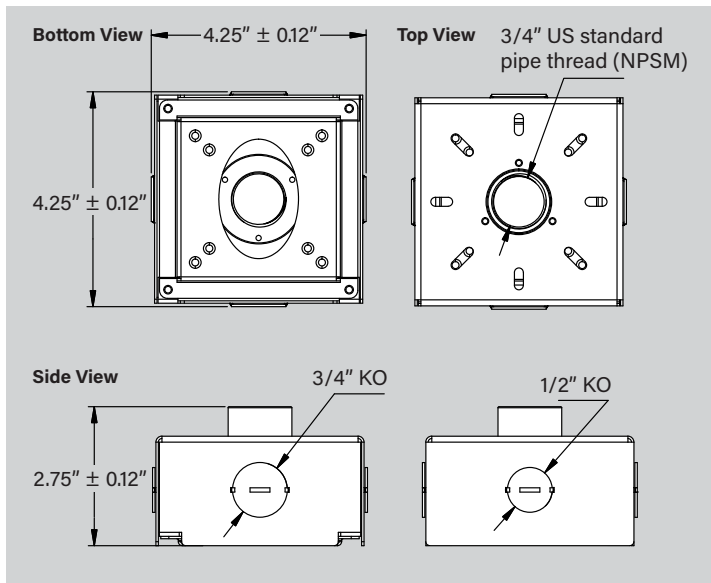
Surface mount / pendant mount kit | Bronze and white finishes available | Used on Series 1 Square and Series 2 Round Canopy Fixtures | Attaches to pre-installed mounting plate



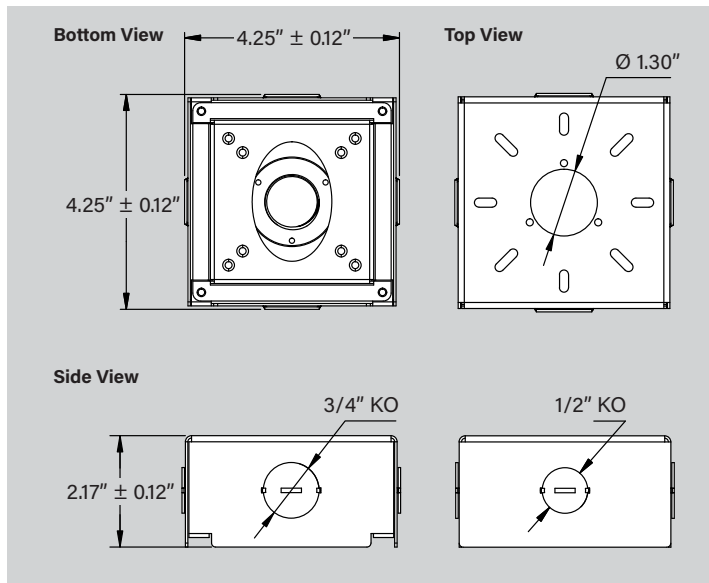
\* Canopy fixture sold separately

**DIMENSIONS**

**FOR PENDANT MOUNTING**



**FOR SURFACE MOUNTING**



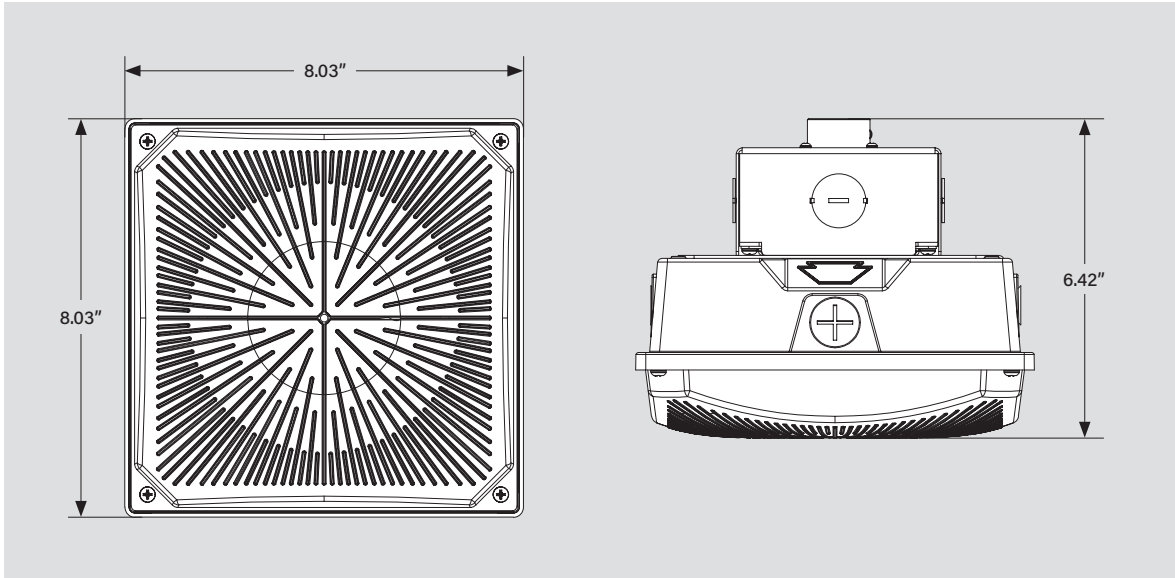
\*Enclosure has (4) KO's total: (2) 3/4" and (2) 1/2"

# KT-CLED-SM-1-KIT

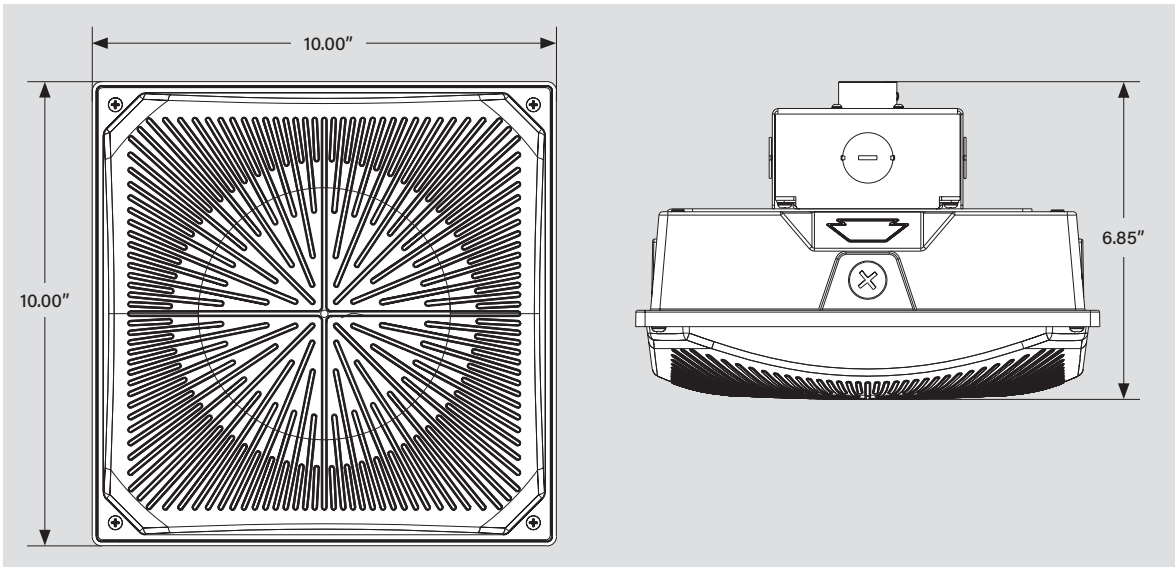
SURFACE OR PENDANT MOUNT KIT FOR CANOPIES

## DIMENSIONS (CONTINUED)

### 25W AND 40W SQUARE CANOPY



### 60W SQUARE CANOPY

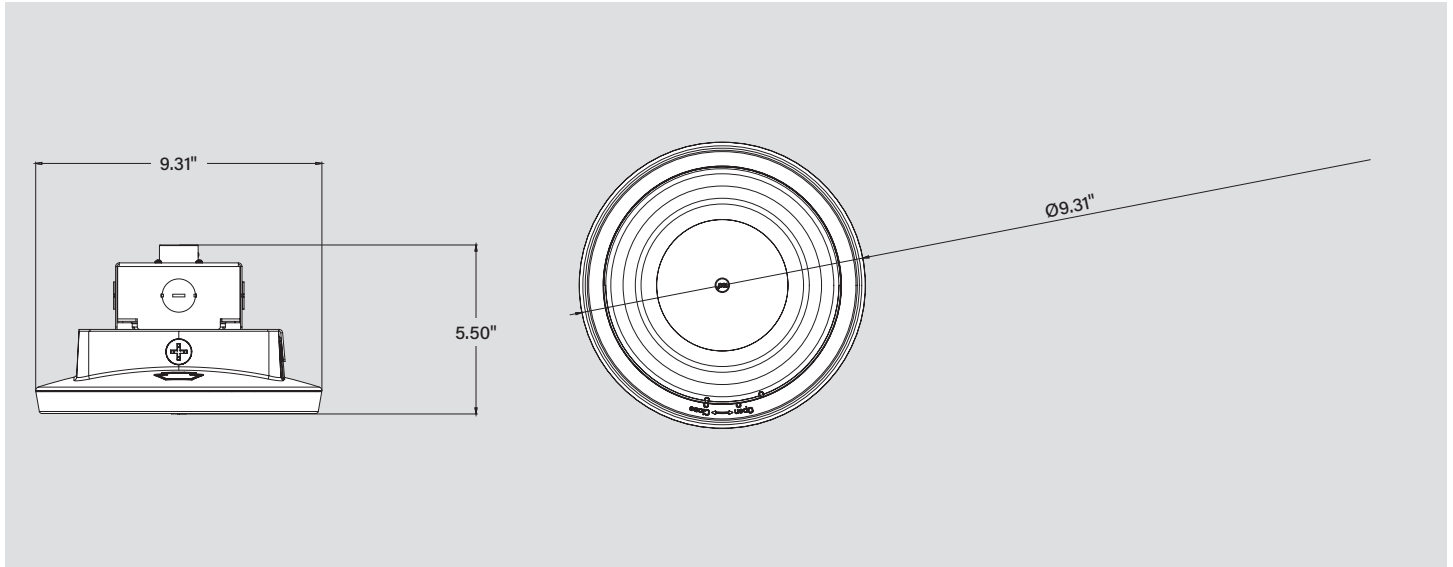


# KT-CLED-SM-1-KIT

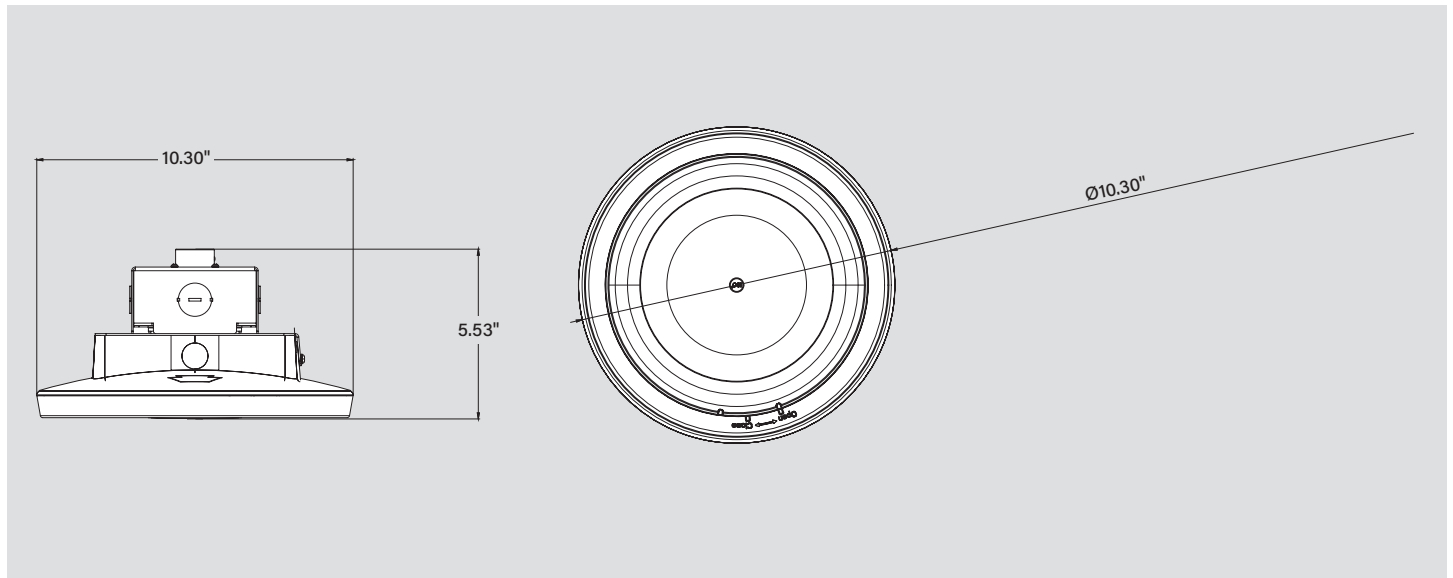
SURFACE OR PENDANT MOUNT KIT FOR CANOPIES

## DIMENSIONS (CONTINUED)

### 40W ROUND CANOPY



### 60W ROUND CANOPY





# KT-CLED-SM-1-KIT

## SURFACE OR PENDANT MOUNT KIT FOR CANOPIES

**ORDERING INFORMATION**

CATALOG NUMBER	UPC	EASY CODE
KT-CLED-SM-1-KIT	843654160368	HRA-27
KT-CLED-SM-1-KIT-W	843654160375	ZDU-78

**CATALOG NUMBER BREAKDOWN**

# KT-CLED-SM-1-KIT

<b>1</b>	<b>2</b>	<b>3</b>	<b>4</b>	<b>5</b>	<b>6</b>	<b>7</b>				
<b>1 Keystone Technologies</b>	<b>2 Canopy Fixture</b>	<b>3 LED</b>	<b>4 Surface Mount</b>	<b>5 Series 1*</b>	<b>6 Kit</b>	<b>7 Finish</b>				
						<table border="1" style="margin-left: auto; margin-right: auto;"> <tr> <td></td> <td>Bronze</td> </tr> <tr> <td>-W</td> <td>White</td> </tr> </table>		Bronze	-W	White
	Bronze									
-W	White									

\* Also compatible with Series 2 Round Canopies