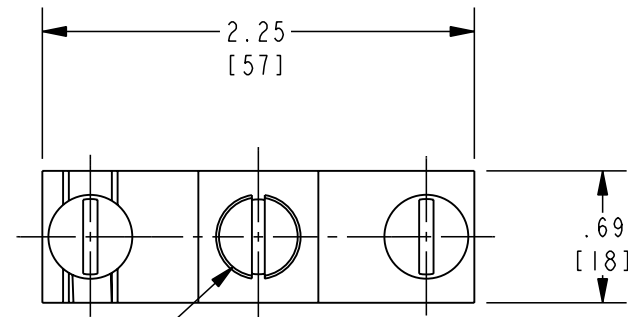
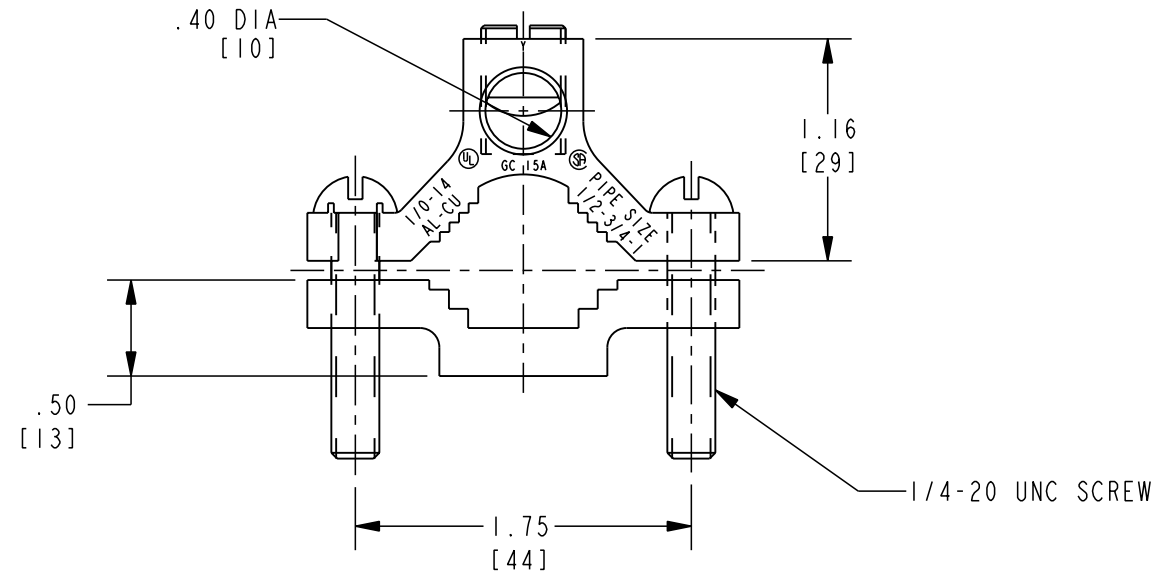


I.P.S. PIPE ACCOMMODATED		WIRE RANGE		
NOMINAL SIZE	ACTUAL OUTER DIAMETER		AWG	METRIC WIRE SIZE
	(in)	(mm)		
1/2	0.840	[21]	14 STR(.073)- 1/0 STR (.373)	2.5mm ² STR[2.1] - 50mm ² STR[9.3]
3/4	1.050	[27]		
1	1.315	[33]		

REV.	DATE	DESCRIPTION	ECO	BY	C'H'K.
A	4/3/2007 12:00:00 AM	REDRAWN TO PROE	12231	JG	BM



7/16-20 UNF



NOTES:

- MATERIAL: ALUMINUM (1/4-20 UNC SCREWS ARE STEEL).
- DIMENSIONS IN BRACKETS [] ARE IN MILLIMETERS ROUNDED OFF TO THE NEAREST MILLIMETER, UNLESS OTHERWISE NOTED, AND ARE FOR REFERENCE ONLY.
- U.L. 467 LISTED, FILE NO. E9999
- PENETROXTM OXIDE INHIBITING JOINT COMPOUNDS ARE RECOMMENDED FOR ALL ALUMINUM APPLICATIONS.
- RECOMMENDED TORQUE: #2 - 1/0 WIRE - 50 LBS* IN [5.65 N*m]
: #6 - 4 WIRE - 45 LBS* IN [5.08 N*m]
: #8 WIRE - 40 LBS* IN [4.52 N*m]
: #14 - 10 WIRE - 35 LBS* IN [3.95 N*m]

TO ORDER BURNDY® PRODUCTS CALL		GROUND CLAMP	
UNITED STATES:		ITEM NO: 262002	
1-800-346-4175 (LONDONDERRY, NH)		CAT. NO: GC15A	
CANADA:		DRAWN BY: D. BOISVERT 04/08/99	
1-800-361-6975 (QUEBEC)		CHECKER: J. MICHAUD 4/19/99	
1-800-387-6487 (ALL OTHER PROVINCES)		DSN APPVL: G. DITROIA 5/25/99	
FOR PRODUCT INFO: http://www.burndy.com		MFG APPVL: N/A --	
		QA APPVL: J. BRODEUR 5/26/99	
		MKT APPVL: P. MITCHELL 5/24/99	
		SCALE: 1:1	
		DRAWING NO	
		REV	
		PROJECT #: --	
		SIZE	
		B	
		DOCUMENT TYPE: --	
		SC212057-01	
		SHEET 1 OF 1	
		REL LEVEL: Released	
		A	

REV: PE0200