

Use & Care Guide

Kenmore®

5" Personal Cube Heater

Model: KM-65001-BK

Customer Support
support@kenmorehomecomfort.com
www.kenmorehomecomfort.com



Table of Contents

Before Using Your New Heater	2
Important Safety Instructions	2-3
California Proposition 65.....	3
Specifications	3
Parts and Features.....	4
Safety Features.....	4
Operating Instructions	5
Maintenance and Cleaning	5
Disposal and Environmental Protection	5
Limited Warranty	6

Before Using Your New Heater

The following instructions are essential for proper assembly and operation. Please keep these instructions for future reference. Always refer to the technical data on the product, subject to technical alterations.

Please read the instructions carefully.

Important Safety Instructions



WARNING: To reduce the risk of fire, electrical shock, injury to persons, or damage when using this heater, follow basic safety precautions including the following:

- **WARNING:** Please read the following instructions for safety before use. Improper use may result in fire, property damage, personal injury, or death. **DO NOT** use the product with incompatible components or alter the product in any way. Improper use may result in fire, property damage, or personal injury. Make sure to use the heater according to the following safety instructions and guidelines.
- Use the heater only as described in this guide.
- This heater is for household use only.
- This heater is not intended for use by persons (including children) with reduced physical, sensory, or mental capabilities, or lack of experience and knowledge unless they have been given supervision or instruction concerning the use of the appliance by a person responsible for their safety.
- If used near children and/or pets, close supervision is necessary.
- Never leave the heater unattended while it is in use. Always turn the heater to the OFF position and unplug it from the electrical outlet when not in use.
- Do not unplug by pulling on cord. To unplug, grasp the plug, not the cord.
- This heater is hot when in use. To avoid burns and personal injury, do not let bare skin touch hot surfaces. If provided, use handles when moving the heater, or move when the heater has cooled.
- Connect the heater to a single phase AC supply of the voltage specified on the rating plate.
- Do not locate the heater immediately below an electrical socket outlet.
- Do not run the cord under carpeting and do not cover the cord with throw rugs, runners, or similar objects. Place cord away from high traffic areas and where it will not be tripped over.
- Do not use the heater with a damaged cord or plug, or after the heater malfunctions, has been dropped, or damaged in any manner.
- If the supply cord is damaged, it must be replaced by the manufacturer or its service agent, or a similarly qualified person to avoid a hazard.
- Avoid the use of an extension cord as this may overheat and cause a risk of fire.
- Be sure that no other appliances are in use on the same electrical circuit as your heater, as an overload can occur.
- The cord should not be placed near the hot surface of the appliance. Do not wrap the cord around the heater immediately after use.
- Use the heater on flat, dry surfaces only.
- Do not use this heater in the immediate surroundings of a bath, a shower, or a swimming pool. Never locate the heater where it may fall into a bathtub, standing water, or other water container.
- Do not immerse any part of the heater in water.
- Do not allow the interior to get wet as this could create a hazard.
- Do not use any cleaning chemicals such as detergents and abrasives.

Important Safety Instructions, con't

- Do not put any object into any ventilation or exhaust opening of heater. To prevent a possible fire, do not block air intakes or exhaust openings in any manner.
- Do not use the heater on soft surfaces, like a bed, where openings may become blocked or heater may fall over.
- Keep all flammable materials e.g. furniture, pillows, bedding, papers at least 3 feet from the front of the heater and avoid contact with the sides and rear.
- Do not place this heater near flammable surfaces or substances. Keep flammable surfaces and substances at least 3.3 feet from the front and avoid contact with the sides and rear.
- Use the heater in a well-ventilated area.
- Do not use the heater in a room smaller than 53 square feet.
- Do not use the heater in any areas where gasoline, paint, or other flammable liquids are stored, e.g. garages or workshops as there can be hot, arcing or sparking parts inside the heater.

California Proposition 65

WARNING

The use of this appliance can expose you to chemicals, including lead and lead compounds, which are known to the State of California to cause cancer and birth defects or other reproductive harm. For more information go to www.P65Warnings.ca.gov.

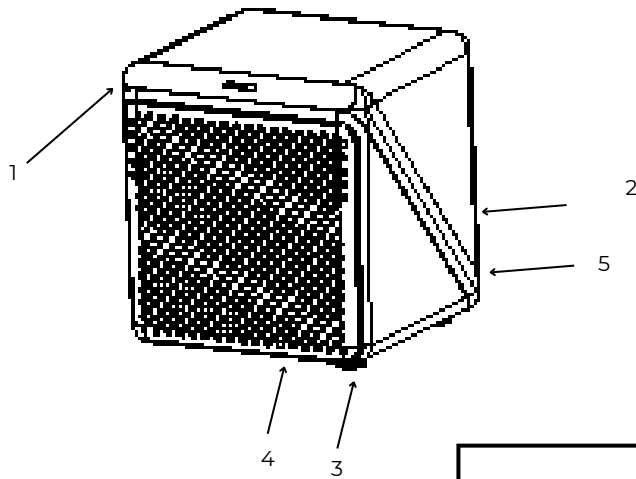
El uso de este electrodoméstico puede exponerte a productos químicos, incluidos el plomo y compuestos de plomo, que según el Estado de California son conocidos por causar cáncer y defectos de nacimiento u otros daños reproductivos. Para obtener más información, visita www.P65Warnings.ca.gov

L'utilisation de cet appareil peut vous exposer à des produits chimiques, y compris du plomb et des composés de plomb, qui sont connus par l'État de Californie pour causer le cancer et des anomalies congénitales ou d'autres dommages reproductifs. Pour plus d'informations, rendez-vous sur www.P65Warnings.ca.gov.

Specifications

Product Description	5" Personal Cube Heater
Model Number	KM-65001-BK
Rated Voltage	AC 120V/60Hz
Rated Power	500W
Assembled Dimensions	4.33 x 4.41 x 4.84"

Parts and Features



1. Power Light
2. Main Housing
3. Feet
4. Tip-over Safety Switch (on the bottom of unit)
5. Power Switch (on the back of unit)

Safety Features

Tip-Over Safety Feature

This heater is equipped with a shut-off safety feature. Once the heater is tipped over, an internal switch will automatically shut the heater off. Once the heater is restored to an upright position. The heater will reset.

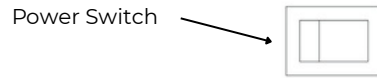
Overheat Safety Feature

This heater is equipped with an overheat safety feature. When the heater's internal components reach a certain temperature that could cause overheating and possible fire, the heater will automatically turn off.

- A thermal overload protector is built in to prevent over-heating. When an "overheat" temperature is reached, the heater will automatically shut off. Operation can resume only when the user resets the unit.
- To reset the unit, unplug the heater, ensure the heater is turned off, and wait 15 to 20 minutes for the unit to cool down.
- Follow INSTRUCTIONS FOR USE to return heater to operating mode.

Operating Instructions

1. Before plugging into an electrical outlet, make sure that the electrical supply in your area matches that on the rating label of the unit.
2. Plug the unit directly into a 120V AC electrical outlet.
3. Place the heater on a flat surface. Press the POWER SWITCH. The power indicator light will light up, and the heater will begin to operate. **Heater will not operate if picked up or moved. TURN OFF AND BACK ON TO RESTART THE HEATER.**
4. Press the POWER SWITCH to OFF and unplug the heater when finished using.



Notice	When the heat function is used for the first time, a light odor may be present. This is normal and should not occur again unless the heater is not used for an extended period of time.
Notice	It is normal for the heater to cycle ON and OFF as it maintains the preset temperature. To prevent the unit from cycling, change the thermostat setting.

Maintenance and Cleaning

1. Move the POWER SWITCH to OFF position.
2. Unplug the unit and let it cool completely.
3. To keep the heater clean, the outer shell may be cleaned with a damp cloth. A mild detergent can be used if necessary.
4. After cleaning, dry the unit with a soft cloth.
5. Wait until the unit is completely dry before use.

Warning

Do Not let liquid enter the heater.

Do Not use alcohol, gasoline, abrasive powders, furniture polish, or rough brushes to clean the heater. This may cause damage or deterioration to the surface of the heater.

Do Not immerse the heater in water.

Storage

Store the heater in a cool, dry location when not in use. To prevent dust and dirt build-up, use the original packaging to repack the unit.

Disposal and Environmental Protection

- Dispose of the product at the end of its lifetime according to relevant legal regulations.
- Electrical products such as electrical appliances, energy-saving lamps, and (rechargeable) batteries marked with a crossed-out garbage can cannot be disposed of with household waste.
- Dispose of the product at a specialized waste disposal site.



Limited Warranty

Equity Sales & Marketing, Inc., ("ESM") warrants this product against defects in workmanship or material for a period of 1 year from the date of purchase for residential, non-commercial use. This is the Limited Warranty against manufacturing defects. This warranty is valid only in the United States. For California residents, this warranty commences on the delivery date of product to the consumer, instead of the date of purchase. The Kenmore Brand is used under license. Direct all claims for warranty service to www.kenmorehomecomfort.com.

THIS WARRANTY SHALL NOT APPLY to any products or parts thereof which have been damaged by acts of nature, accidents, negligence, commercial use, tampering, misuse or abuse, or which have been altered or modified (including removal of the serial number) or repaired by an unauthorized person or service center. Misuse includes, among other things, connection to improper voltage supply. Further, this warranty does not cover cosmetic damage to the product.

THIS WARRANTY SHALL NOT APPLY to wheels, casters, or accessories since their life depends upon the amount of use.

THIS WARRANTY SHALL NOT APPLY to a product exposed to liquids, or used in wet, rainy, or humid environments.

THIS WARRANTY SHALL NOT APPLY to a product with exhausts or ventilation that have been obstructed.

THIS WARRANTY SHALL NOT APPLY to a product used in a manner contrary to any of the sections of the Use and Care Guide.

REPAIR OR REPLACEMENT the inoperative machine must be delivered with shipping and delivery charges prepaid together with the receipt, bill of sale, or receipted invoice which is evidence of the purchase date (or delivery date for California residents) to place of purchase. ESM will either repair or replace, at its selection, all defective machines during the warranty period.

This limited warranty is the sole and exclusive warranty for the ESM product. No employee, agent, dealer, or other person is authorized to alter this warranty or make other warranty on behalf of ESM.

REPAIR OR REPLACEMENT AS PROVIDED UNDER THIS WARRANTY IS THE EXCLUSIVE REMEDY TO THE CONSUMER. ESM SHALL NOT BE LIABLE FOR ANY DIRECT, INDIRECT, SPECIAL, INCIDENTAL, OR CONSEQUENTIAL DAMAGES FOR BREACH OF ANY EXPRESS OR IMPLIED WARRANTY ON THIS PRODUCT, EXCEPT TO THE EXTENT PROHIBITED BY APPLICABLE LAW, ANY IMPLIED WARRANTY OF MERCHANTABILITY OR FITNESS FOR A PARTICULAR PURPOSE IS LIMITED IN DURATION TO THE DURATION OF THIS WARRANTY. ESM'S LIABILITY UNDER NO CIRCUMSTANCES WILL EXCEED THE CONTRACT PRICE FOR THE PRODUCT OR PARTS FOR WHICH LIABILITY IS CLAIMED.

The foregoing obligations are in lieu of all other obligations and liabilities including negligence and state ESM's entire exclusive liability and the purchaser's exclusive remedy. This warranty gives you specific legal rights, and you may also have other rights which vary from state to state. Some states do not allow the exclusion or limitation of incidental or consequential damages, or allow limitations on how long an implied warranty lasts, so the above limitations or exclusions do not apply to you in those states.

For more information visit: www.kenmorehomecomfort.com

Kenmore and the Kenmore logo are registered trademarks of Transform SR Brands LLC and are used under license. Distributed by Equity Sales & Marketing, Inc., Bentonville, AR 72712.

