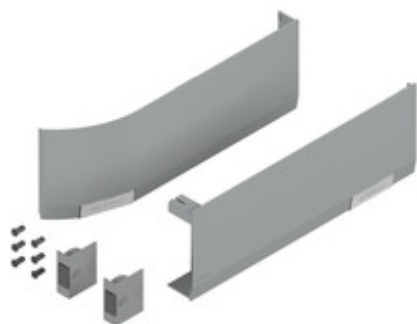


Product details

AVENTOS HF/HS/HL top cover cap set (incl. trigger switch for drilling, enclosed), right+left, Suitable for SERVO-DRIVE



Part number	23.8000.NA
Item number	05613394
Colour / finish	Light grey/stainless steel brushed
Packaging quantity	1
Weight per 1,000 Pcs in kg	285.33
EAN code	9009494976656
UPC code	

Technical attributes

Attribute	Value
Cover cap type	Lift mechanism cover cap
Position	Left
Position	Right
cover cap version	glued-on warning
Material	Nylon
Colour / finish	light grey/stainless steel longside brushed.
fixing of cover cap	press-on
Item package	right+left
packaging	Commercial packing
additions	Trigger switch for drilling, enclosed
additions	Distance bumper DM 5mm, enclosed
additions	Cover cap ABD.100-09.BT, enclosed
superficial structure	plain