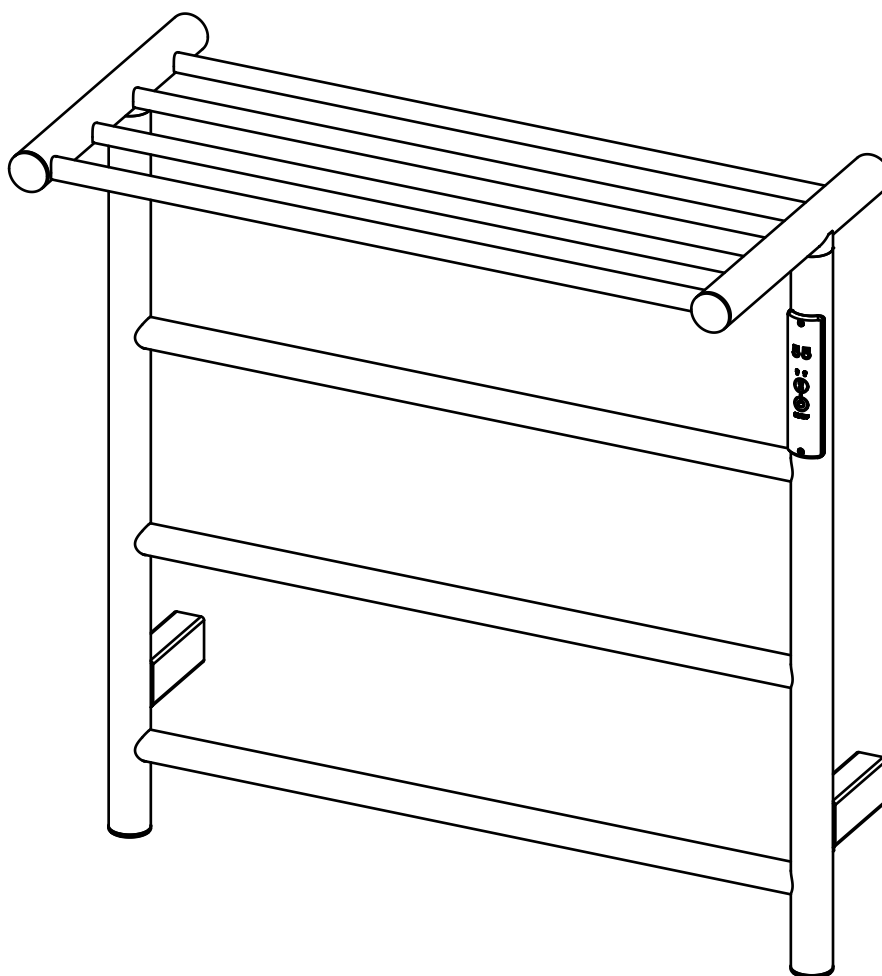


# INTELLIGENT ELECTRIC TOWEL RACK

WALL-MOUNTED ELECTRIC TOWEL RACK

## INSTRUCTION MANUAL



PLEASE READ THIS MANUAL CAREFULLY BEFORE INSTALLATION OR USE

# DIRECTORY

## Installation & Operation manual

Please read the installation and operation instructions carefully before use. and keep the instructions properly.

----- ABOUT THE PRODUCT

PRODUCT INFORMATION

-----  
PRODUCT INSTALLATION  
& MAINTENANCE INSTRUCTIONS

INSTALLATION INSTRUCTIONS

INSTALLATION PROCEDURE

----- SAFETY INFORMATION

PRECAUTIONS FOR INSTALLATION AND USE

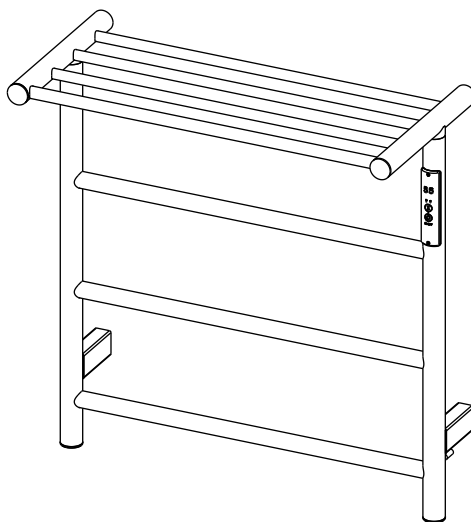
----- SMART SWITCH INSTRUCTIONS

# INSTRUCTIONS MANUAL

In order for you to properly install and maintain this product, please read this installation manual carefully before you install:

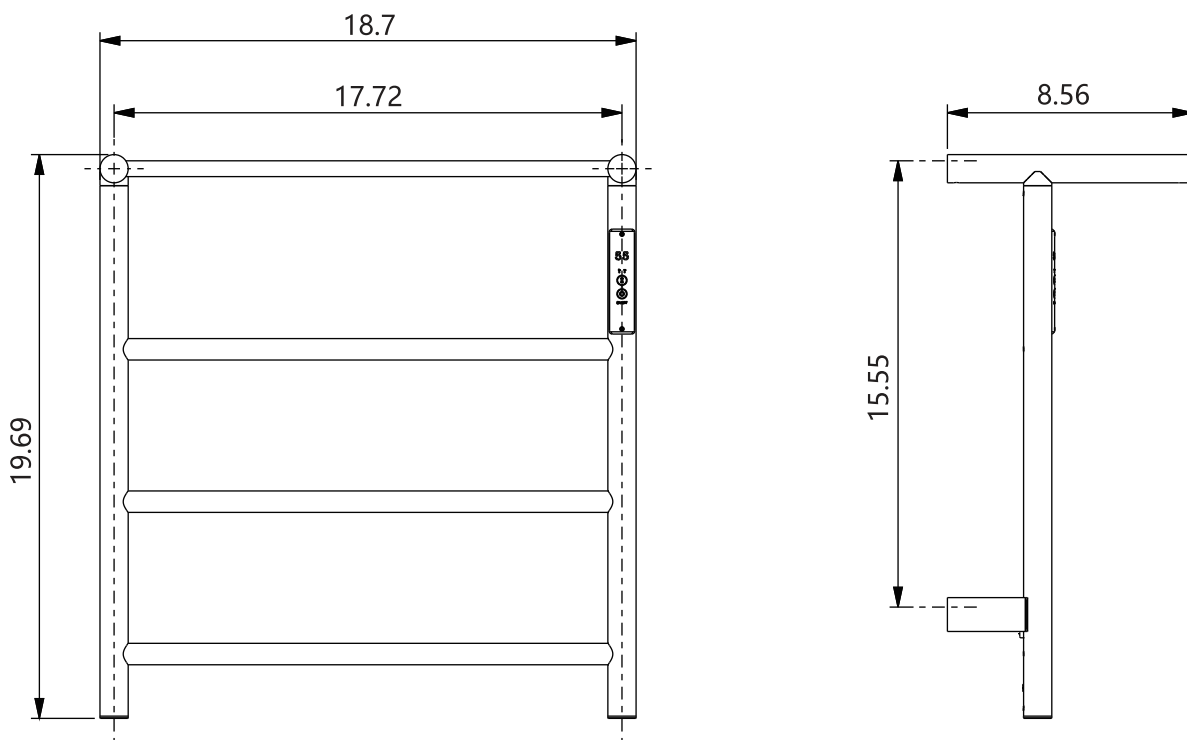
**A. PRODUCT PARAMETERS:**

MODEL	EB02-BR-190922
	EB02-BL-190922
	EB02-BG-190922
FREQUENCY	50-60Hz
RATED POWER	70W
VOLTAGE	110V
HEATING TIME	3-7min
FAHRENHEIT	115-145° F
WATERPROOF	IPX4
INSTALLATION	Exposed/consealed mounted
HEATING	Carbon fiber heating



**B. DRAWING OF DIMENSIONS:**

Unit: inch



# Exposed electric towel rack instructions

In order for you to properly install and maintain this product, please read this installation manual carefully before you install:

## C. Installation steps:

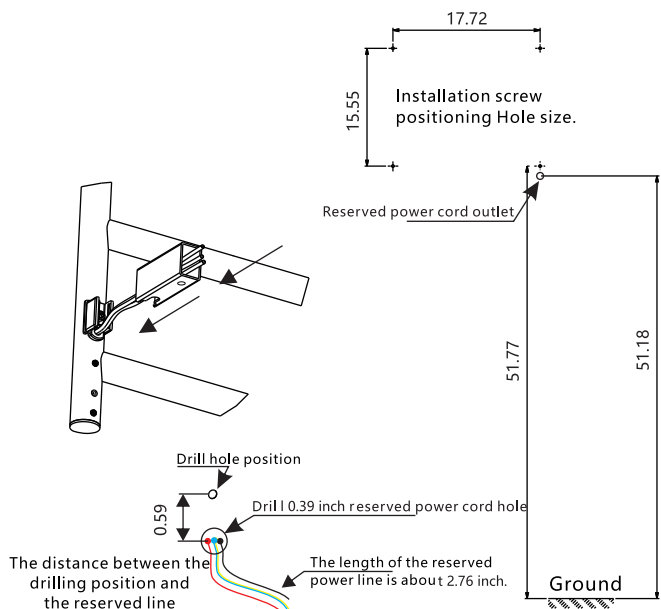
<p>① Set the drilling position on the wall as shown in the following diagram, and adjust the level at the same time</p> <p>Use an impact drill to install screws and drill 8mm circular holes on the wall to locate the holes</p> <p>Then insert the expansion rubber rod into the hole</p>	<p>② Sleeve the A2 concealed base tube over the A2 short inner rubber of the towel rack. Once the four base tubes are in place, then use the M5X7 inner-tip screws to lock the base tube to the A2 short inner rubber.</p>
<p>③ Use a screwdriver or a charging drill to insert the self tapping screw into the foot expansion stick. After installing the hanging screw, use an M4 white tapping screw to tighten and fix it</p>	<p>④ Lock the AL402 towel rack onto the AL401 electric heating rack using M5X4 internal flat screws, and install the AL402 towel rack properly.</p>
<p>⑤ The base of the towel rack above the back of the product has been fitted onto the towel rack film, and the base tube of the electric heating rack has been fitted onto the fixed seat and tightly attached to the wall. Then use four M5X7 internal pointed screws to lock the fixing seat in the screw holes of the lower base foot and the outlet base foot. Installation completed.</p>	<p>⑥</p> <ol style="list-style-type: none"> <li>1. After the above steps have been completed, the whole set of electric towel rack has been installed;</li> <li>2. Power on, press the switch, power test for 15-30 minutes;</li> <li>3. Carefully touch the bar of the electric towel rack. Your hand should feel that the bar is slightly hot.</li> <li>4. Carefully touch the electricity again after an interval of 30-40 minutes Hot towel rack cross bar, temperature no longer rise The product can be used normally;</li> <li>5. Be sure to turn off the power when the heat is over.</li> </ol>

# Concealed electric towel rack instructions

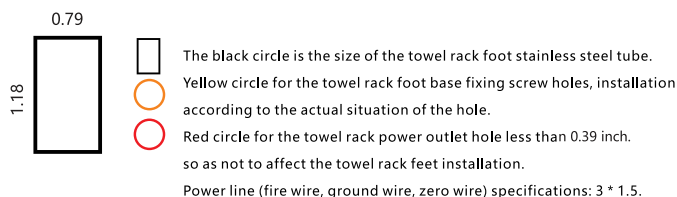
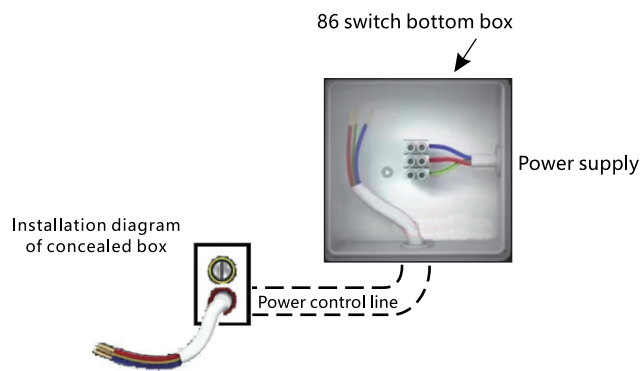
In order for you to properly install and maintain this product, please read this installation manual carefully before you install:

## C. Concealed installation wiring method:

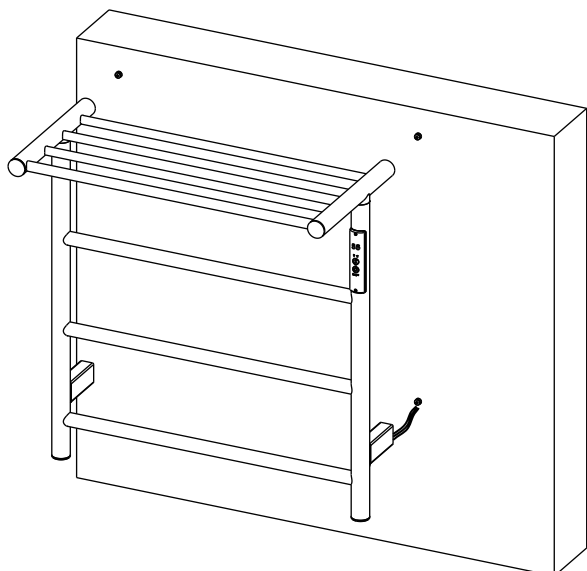
Set aside a position about 51.18 inch from the floor Power line, set up on the wall as shown below Punching position, while adjusting the level.



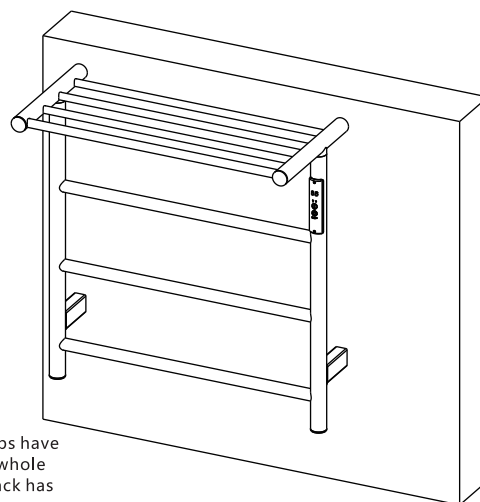
## Concealed installation of hot wire diagram Reserved 86 switch bottom box and power control line



Then plug the expansion rubber bar into the hole, and use a screwdriver or charging drill to install self-tapping screws into the expansion. The four hanging screws are installed, adjust the screws and wall clearance. Put the power cord and the wall power supply reserved line according to the positive and negative connection, the long out of the power cord into the electric heating wool. Towel rack base inside, and then the back of the product above the hanging hole stuck into the screws, and close to the wall. The back of the product is then screwed into the screw and pressed against the wall, pull down and lock. Put the back hanging hole on the top of the product into the screw, and tightly



Snap the back hanging hole on the top of the product to the screw and tightly against the wall, pull down and lock.



1. After the above steps have been completed, the whole set of electric towel rack has been installed;
2. Power on, press the switch, power test for 15-30 minutes;
3. Carefully touch the bar of the electric towel rack. Your hand should feel that the bar is slightly hot.
4. Carefully touch the electricity again after an interval of 30-40 minutes Hot towel rack cross bar, temperature no longer rise The product can be used normally;
5. Be sure to turn off the power when the heat is over.

# INSTRUCTIONS FOR USE

## 【 1.Features of the Product】

It is mainly used for drying, moisture-proof, sterilization and odor elimination of towels, bath towels and clothes.

## 【 2.Fair use and safety precautions】

Do not use water or other liquid to clean the product directly, and do not allow any liquid to enter the product.

Do not expose the product to hot or humid environment.

### ! DANGEROUS

If the power cable is damaged, it must be repaired by professional maintenance personnel to avoid danger.

### ! DANGEROUS

1.It is installed in a particularly humid environment, in addition to the ground cable, it is necessary to install a leakage protection device, do not connect the ground cable to the water pipe and gas pipe.

2.The product please use a separate three-hole socket. do not use wet hands to plug the power plug to prevent electric shock, and to have a reliable grounding wire.

3.The product can bear 10 kilograms. It is forbidden to hang overweight items on the product.

4.Please do not disassemble or modify the product without permission. Please do not try to repair the product.

5.Children under 12 years old are forbidden to use this product.

## 【 3. AFTER SALE SERVICE】

This product from the date of purchase, the company within one year free maintenance (appearance is not within the scope of warranty), after one year maintenance charges for maintenance hours and other costs, but in the following circumstances, even within the warranty period, can not provide free maintenance.

1. In case of product failure, product manual and warranty card cannot be provided.

2.Failure caused by private disassembly, modification and maintenance.

3. Due to water or water use, impact, improper operation or illegal use of the fault.

4.Customer service contact E-mail:meilesjiancai@163.com.

## 【 4.DISCLAIMER OF LIABILITY】

Please strictly follow the installation steps and instructions of the product. If the user fails to use the product according to the instructions and instructions, the accident and damage will be caused The buyer shall bear the consequences.

## 【 5.CONTAINED IN THE PACKAGE】

LIST OF PACKING ACCESSORIES										
NAME	EXPANSION GLUE STICK	M4 SELF TAPPING SCREW	NAIL-FREE GLUE	2.5 HEXAGONAL KEY	SCREW FASTENING	GLOVES	NAILFREE PASTE	INSTRUCTION MANUAL	CERTIFICATE OF CONFORMITY	WARRANTY CARD
NUMBER	FOUR	FOUR	/	ONE	FOUR	ONE	TWO	1 PIECE	1 PIECE	1 PIECE

# SMART SWITCH INSTRUCTIONS

## 【 1. STARTING UP 】

- The controller power-on buzzer will sound long to enter the standby state: only the "On/Of button icon gradually brightens-dimmed changes, other lights and nixie tube are off.
- (The first power-on default Fahrenheit), set the successful buzzer long ring. set the memory, close the digital tube display back to stand by state; In the future, the corresponding operation display is based on the standard of Celsius or Fahrenheit.
- "On/Off" button: long press to power on the buzzer will ring 2 times short, the digital tube will display the time set ast time, the temperature set last time by default), and again long press second to shut down buzzer rings for 1 second. turn of the heating and turn off the display, only the power key chart light turns on -- dimming changes).

## 【 2. TIMING 】

- "Set Timing Shut down Time" key: Under the startup state, press the button for setting timing(buzzer rings for one short time) "1H" (the first digit is off) to "8H" for cyclic display.

## 【 3. FIXED TEMPERATURE 】

- "Thermostatic Temperature Setting" key: Press the button to set the thermostatic temperature (the buzzer will ring one short time)-(Fahrenheit"115")- (°F "125", -(°F "135") ,-(°F"145") cycle setting; Hold down the power-on status for 1 second to switch to: Real-time temperature/Timing Time Alternate display, set the successful buzzer long ring

## 【 4. TEST 】

- After setting the temperature and time, the system will control the heating output according to the temperature resistance data: when it does not reach the set temperature, it will stop adding when it reaches the set temperature +1° Heat, when the temperature drops to the set temperature of-1, then reheat. The timing time will be reduced by 1 hour for every 1 hour. After the timing is completed, the heating and display will be turned off(The remaining power lamp is used for breathing lamp display).

- Set the system to detect the temperature resistance automatically:

- A. When detecting a missed probe, digital tube display "EE", stop heating and report an error;
- B. When NTC detects the temperature is less than 0°C,digital tube display "E0" continues heating and reports error:
- C. Digital tube display when NTC detects temperature greater then 99°C "E1",stop heating and report an error.

