



ORIGINAL VAXCEL CEILING FAN LIMITED LIFETIME WARRANTY*

**for full limited lifetime warranty details please see final page of these instructions.*

Model No.: F0131

Safety Instructions

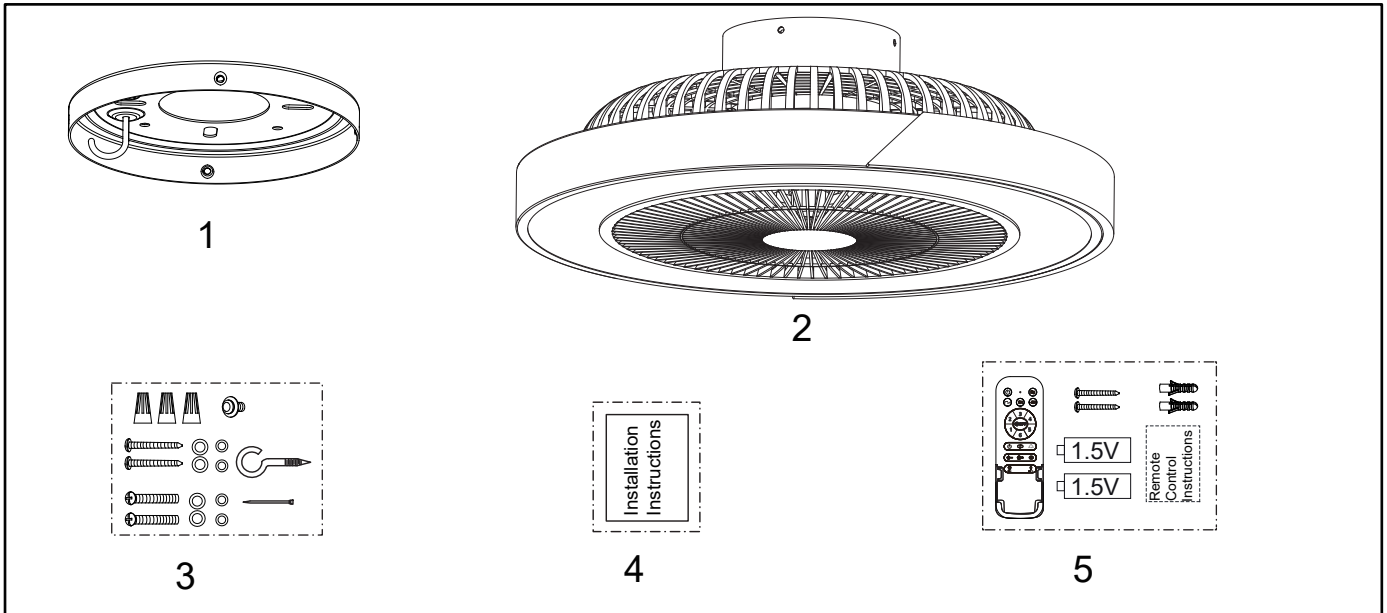
READ ALL SAFETY INFORMATION AND INSTALLATION INSTRUCTIONS BEFORE YOU BEGIN TO INSTALL THE FAN AND SAVE INSTRUCTIONS.

- All set screws of the fan must be checked and retightened where necessary before installation.
- To reduce the risk of personal injury, do not bend the blade brackets when installing the brackets, balancing the blades or cleaning the fan. Do not insert foreign objects between rotating fan blades.
- The safeguards provided by these safety instructions and by the separate installation instructions are not meant to cover all possible conditions and situations that may occur. It must be understood that common sense, caution and care are factors which can not be built into this product.
- These factors must be supplied by the person(s) installing, caring for and operating the fan.

WARNING

- TO AVOID RISK OF ELECTRIC SHOCK, BE SURE TO SHUT OFF POWER AT THE MAIN FUSE OR CIRCUIT BREAKER BOX BEFORE INSTALLING OR SERVICING THIS FIXTURE. TURNING OFF THE ELECTRICAL POWER BY USING THE LIGHT SWITCH IS NOT SUFFICIENT TO PREVENT ELECTRICAL SHOCK.
- TO REDUCE THE RISK OF INJURY, INSTALL THE FAN SO THAT THE BLADES ARE AT LEAST 7 FEET (2.1 METERS) ABOVE THE FLOOR AND AT LEAST 30 INCHES (0.76 METERS) FROM THE TIP OF THE BLADES TO THE WALL.
- TO REDUCE THE RISK OF FIRE, ELECTRIC SHOCK, OR PERSONAL INJURY, MOUNT TO OUTLET BOX MARKED "ACCEPTABLE FOR FAN SUPPORT" AND USE MOUNTING SCREWS PROVIDED WITH THE OUTLET BOX.
- THE INSTALLATION HAS TO BE IN ACCORDANCE WITH THE NATIONAL ELECTRICAL CODE, ANSI/NFPA 70-1999 AND LOCAL CODES. IF YOU ARE UNFAMILIAR WITH THE METHODS OF INSTALLING ELECTRICAL WIRING, SEEK THE SERVICES OF A QUALIFIED LICENSED ELECTRICIAN.

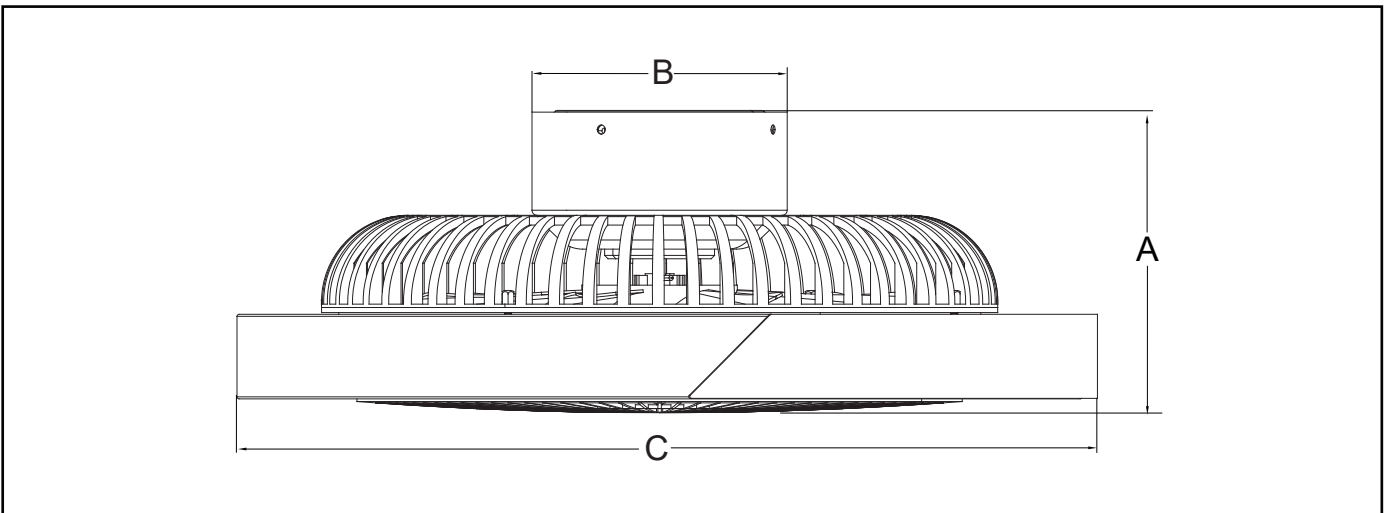
Package Contents:



Unpack your fan and check the contents. You should have the following items.

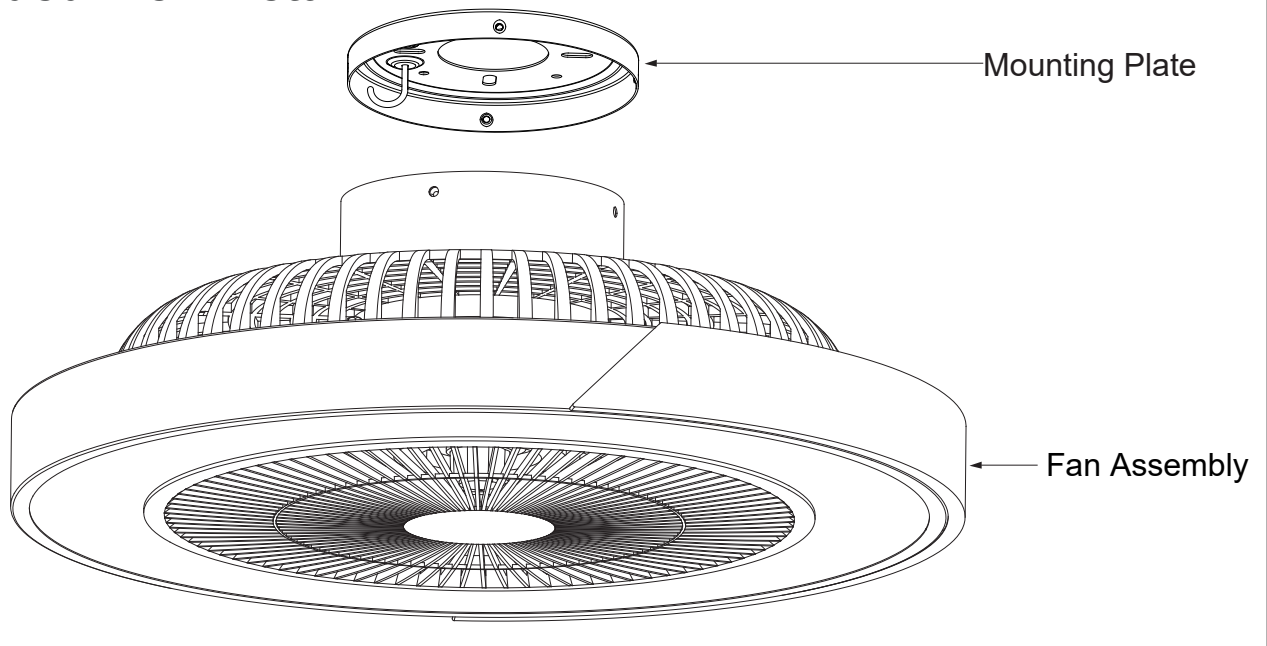
- 1.) Mounting Plate
- 2.) Fan Assembly
- 3.) Assembly Kit
- 4.) Installation Instructions
- 5.) Remote Control Set (Includes Transmitter & Batteries & Screws & Remote Control Instructions)

Dimension Reference:



A. 6-3/4" B. 6" C. 20"

Exploded View Detail



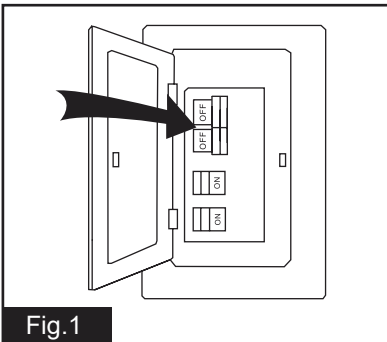
INSTALLATION INSTRUCTIONS

IMPORTANT:

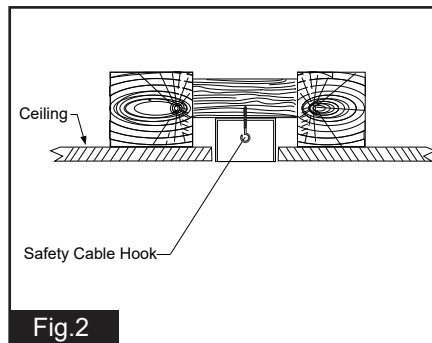
- BEFORE YOU BEGIN INSTALLING THE FAN, CAREFULLY READ ALL INFORMATION ON THE PREVIOUS PAGE "SAFETY INSTRUCTIONS" AS WELL AS THE FOLLOWING "INSTALLATION INSTRUCTIONS". IF IN DOUBT, CONSULT A QUALIFIED ELECTRICIAN.
- SAVE ALL INSTRUCTIONS.

NOTE: The fan weight is 7.05lbs (3.2kg). Be sure the outlet box you are using is securely attached to the building structure and can support the full weight of the fan. Failure to do so can result in serious injury.

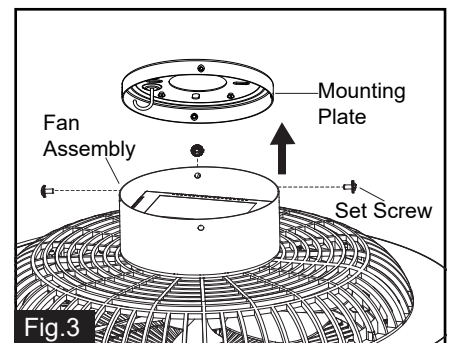
Installation Steps :



Turn OFF the electric power at the main fuse or circuit breaker box.



Screw the safety cable hook to the ceiling outlet box. **(Make sure the outlet box is securely installed so that it will be able to support at least the fan weight.)**

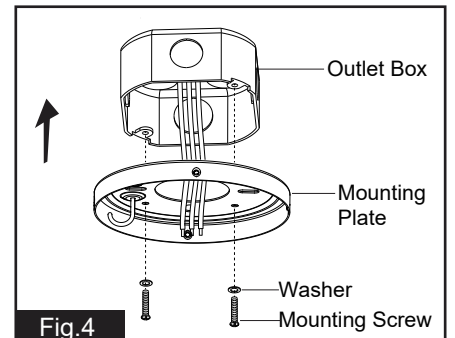


Unscrew the four set screws for later use, remove the mounting plate from the fan assembly.

Pull the wires from outlet box through the center hole of mounting plate. Raise the mounting plate to the outlet box, then align and engage the bottom holes from outlet box to the holes of mounting plate and attach them together with washers and mounting screws from outlet box or assembly kit bag.

WARNING:

1. MOUNT ONLY TO AN OUTLET BOX MARKED "ACCEPTABLE FOR FAN SUPPORT"!
2. FLUSH MOUNT ONLY. NOT FOR SLOPED CEILING OR DOWNROD USE.



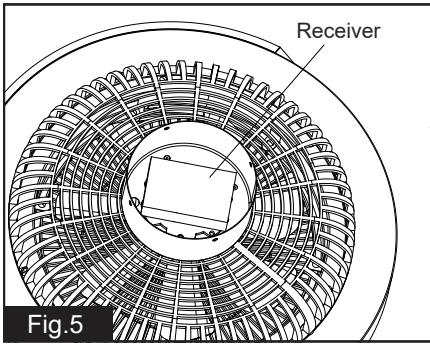


Fig. 5
The receiver is already fixed in the housing.

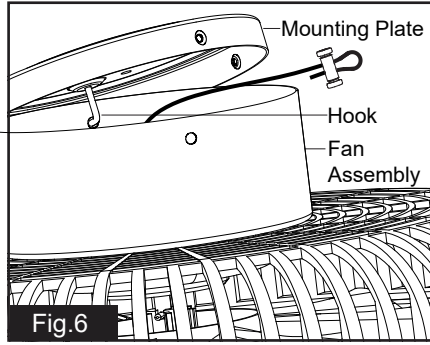


Fig. 6
Carefully lift the fan assembly and hang the fan assembly on the hook of the mounting plate by utilizing one of the holes at the outer rim of the motor housing so that it is securely suspended.

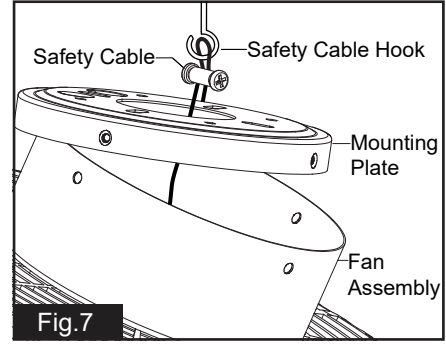


Fig. 7
Pull the safety cable out of fan motor assembly and through the center hole of mounting plate, then hang it into the safety cable hook. Then connect the wiring to your fan according to Fig. 8 "Making the Electrical Connections".

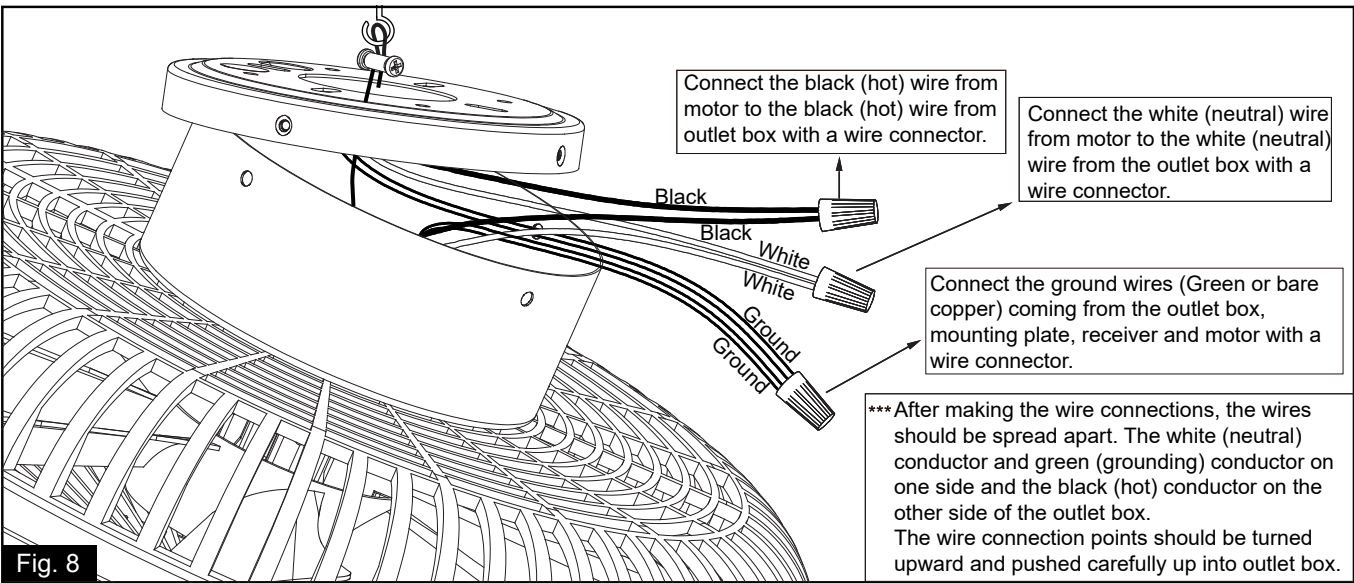


Fig. 8

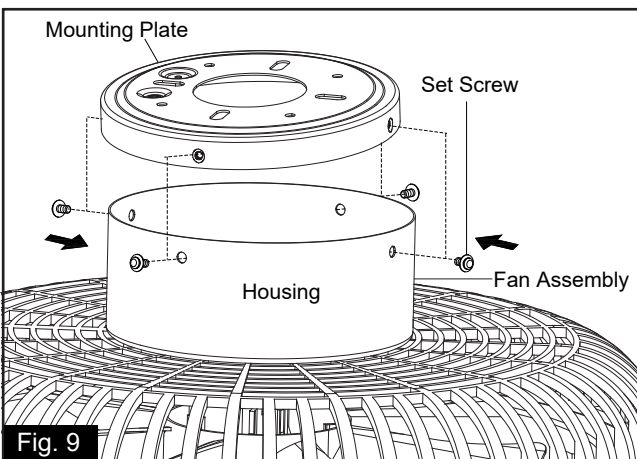
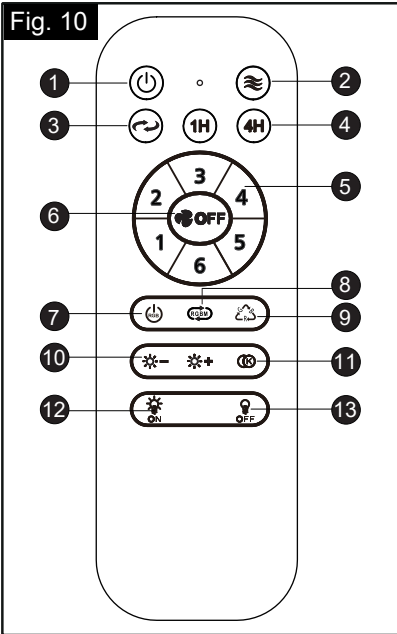


Fig. 9

Remove the fan assembly from the hook of the mounting plate, and attach it to the mounting plate, align the four holes of fan assembly and tighten the set screws.



Remote control

Install two 1.5 volt batteries (type AAA, included) into the remote control.

Remote control functions:

1. "⏻" Button:
Press this button to turn the fan and the light off.
2. "🌀" Breeze button:
Press the breeze button to cycle the fan speed. The fan will cycle through all 6 speeds in 20 seconds. If the fan is off the cycle will start at minimum "1" speed and increase until high speed "6" is reached, then cycle slowly back down to minimum speed "1". Again, then repeat. If the fan is on then the breeze cycle will start at that speed. To stop this function press any other fan speed or fan off button.
3. "↺" Reverse button:
Press this button to control fan direction.
Please wait, as the reverse function takes time to adjust.
4. Timer Control:
Press "1H", "4H" button to stop the fan speed and light after that period.
Press any other button, or turn off the electric circuit at the main fuse or circuit breaker box to stop this function.
5. Fan speed:
1 = minimum speed 2 = low speed
3 = medium low speed 4 = medium speed
5 = medium high speed 6 = high speed

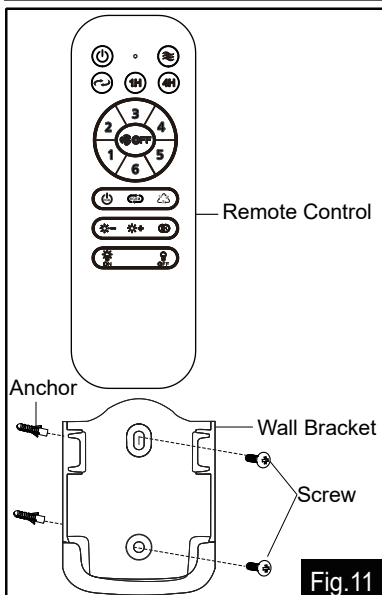
6. "OFF" Button:
Press this button to turn the fan off.
7. "RGB" Button:
Press this button to turn RGB mode off.
8. "RGBM" Button:
Press this button to change RGB party mode, there are a total 11 RGB party modes to choose from.
9. "RGB" Button:
Press this button to change to a single solid RGB color. There are a total 7 colors to choose from.
10. Dimmer Function:
Press and hold the "☀️ -" button to decrease brightness to the desired level.
Press and hold the "☀️ +" button to increase brightness to the desired level.
11. "K" button:
Press this button to change color temperature of fan light, there are a total of 5 CCT color options from 2700K, 3000K, 3500K, 4000K to 5000K.
Remark: This fan features a store-only display function. If you accidentally enter demo mode (RGB light and 5CCT cycle automatically every 5 seconds), press and hold the "K" key on the remote for over 10 seconds; the light will blink twice to disable the function.
12. "☀️ ON" Button:
Press this button to turn the CCT (Correlated Color Temperature) light on.
13. "OFF" Button:
Press this button to turn the CCT (Correlated Color Temperature) light off.

Note:
This remote control has a memory function setting. The fan will operate at the same speed and the fan light will stay at the same brightness-level as the last time the power supply was turned off.

Set the code:

Within the 10 second time frame after the main power is turned on, press and hold "OFF" button for more than 3 seconds. The LED light will begin to flash. Once the code is set successfully, the fan will turn off and the light will turn on.

Note: The included transmitter was paired with the receiver at the factory with default settings, so no need to set the code again. Go through these setup steps if you found your transmitter can't communicate with the receiver.



Install the transmitter wall bracket on the wall with two anchors and two screws and place transmitter in it carefully.

Troubleshooting Guide

If you have difficulty operating your new ceiling fan, it may be the result of incorrect assembly, installation or wiring. In some cases, these installation errors may be mistaken for defects. If you experience any faults, please check this Troubleshooting Guide. If a problem cannot be remedied or you are experiencing difficulty in installation, please call our Customer Service Department (1-800-482-9235).

PROBLEM	SUGGESTED REMEDY
1. If fan does not start:	<ol style="list-style-type: none">1. Check main and branch circuit fuses or circuit breakers.2. Check line wire connections to fan and switch wire connections in switch housing.3. Make sure main power is turned off.4. Make sure that the wall control is turned "ON".
2. If fan sounds noisy:	<ol style="list-style-type: none">1. Some fan motors are sensitive to signals from Solid State variable speed controls. DO NOT USE a Solid State variable speed control.2. Allow "break-in" period of 24 hours. Most noises associated with a new fan will disappear after this period.
3. If light does not work:	<ol style="list-style-type: none">1. Check black wire from fan to make sure it is connected to black (hot) wire from house.2. Re-pair the remote control and receiver by holding the "OFF" button on the remote control according to the manual. <p>CAUTION: MAKE SURE MAIN POWER IS TURNED OFF BEFORE ACCESSING SWITCH HOUSING.</p>
4. If fan and light kit do not work:	<ol style="list-style-type: none">1. Replace the batteries in remote control.2. Re-pair the remote control and receiver by holding the "OFF" button on the remote control according to the manual.

ORIGINAL VAXCEL CEILING FAN LIMITED LIFETIME WARRANTY*

The limited lifetime warranty covers this fan, for residential use by the original purchaser, against defects in material or workmanship as follows:

If your fan motor fails at any time during the lifetime of the original purchaser due to defects in material or workmanship, we will provide a replacement part free of charge.

If your fan motor fails at any time within one year after the original date of sale to the original purchaser due to defects in material or workmanship, we will provide labor to repair the defect, with the exception of take down/reinstallation, free of charge. The original purchaser will be responsible for all labor costs after this one year period.

If no replacement parts are provided for any part of your fan motor that fails at any time during your lifetime due to defects in material or workmanship, we will refund the original purchase price of your fan.

If your fan includes any integrated LED modules, the LED functionality is covered by a 5-year warranty.

If your fan blades, or any accessory, except glass globes and light bulbs, fails at any time within one year after the original date of purchase due to a defect in material and workmanship, we will repair or replace the defective blades, switch, or accessory free of charge, with the exception of take down/reinstallation services.

If the original purchaser ceases to own the fan, this warranty and any implied warranty, including but not limited to any implied warranty of merchantability or fitness for a particular purpose, become void. This warranty and any implied warranty, including but not limited to any implied warranty of merchantability or fitness for a particular purpose, does not cover glass globes, light bulbs, or finish on any metal portions of the fan.

This warranty is in lieu of express warranties. The duration of any implied warranty of merchantability or fitness for a particular purpose, with respect to any fan motor, blades, switch, or accessories, is expressly limited to the period of the express warranty set forth above for such motor, LED modules, blades, switch, or accessories.

This warranty excludes defects, malfunctions, or failures of any fan that are caused by repairs by persons not authorized by us, use of parts or accessories not authorized by us, mishandling, improper installation, modifications or damage to the fan while in your possession, or unreasonable use, including failure to provide necessary maintenance. This warranty does not include the failure of products from extreme acts of nature; environmental conditions not suited for the products intended use; operation in temperatures outside of the range specified in the instruction manual; usage with improper power supply, power surges or dips. For coastal locations, some corrosion is considered normal for the environment.

In no event shall VAXCEL be liable for consequential or incidental damages.

Some states do not allow the exclusion or limitation of consequential or incidental damages, in which case the above limitation or exclusion may not apply. This warranty gives you specific legal rights and you may also have other rights which vary from state to state.

Vaxcel reserves the right to repair, replace or issue a credit for any properly installed product, provided it is returned per RMA instruction. This warranty is limited to the cost of the product only and does not extend to transportation, installation or replacement costs.

How can warranty service be obtained for your ceiling fan?

info@vaxcel.com

1-800-482-9235