

Features

- Stationary spout
- 8-5/8" (219 mm) spout reach
- 1.2 gpm (4.5 lpm) maximum flow rate at 60 psi (4.14 bar)
- Drain sold separately
- Part of the Occasion bathroom faucet and accessory collection

Material

- Brass
- KOHLER finishes resist corrosion and tarnishing

Installation

- Wall-mount

Required Products/Accessories

K-T27013-4 Wall-mount bathroom sink faucet Lever handle trim, 1.2 gpm

or

K-T27013-9 Wall-mount bathroom sink faucet Knob handle trim, 1.2 gpm

or

K-T27013-3 Wall-mount bathroom sink faucet Cross handle trim, 1.2 gpm

Recommended Products/Accessories

K-23726 Drain treatment

K-27012-4 Wall-mount bathroom sink faucet handle

Optional Products/Accessories

K-7107 Decorative Drain

K-7108 Decorative Drain

K-7114 Pop-Up Drain

K-7127 Drain

K-7129 Drain

K-33151 Clicker drain without overflow



Codes/Standards

ASME A112.18.1/CSA B125.1

NSF/ANSI/CAN 61

NSF/ANSI/CAN 372

DOE - Energy Policy Act 1992

EPA WaterSense®

California Energy Commission (CEC)

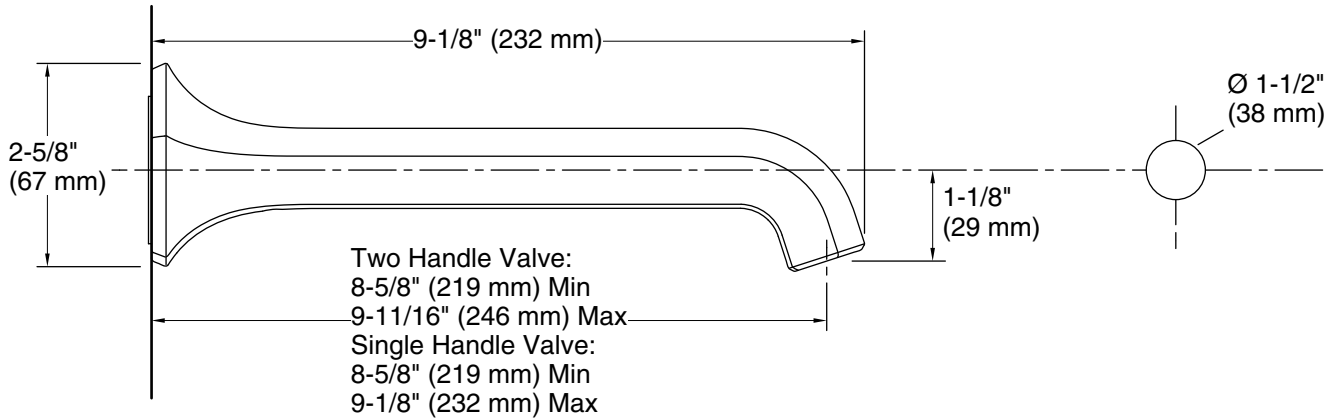
KOHLER® Faucet Lifetime Limited Warranty

See website for detailed warranty information.

Available Colors/Finishes

Color tiles intended for reference only.

Color	Code	Description
	CP	Polished Chrome
	SN	Vibrant® Polished Nickel
	AF	Vibrant® French Gold
	BN	Vibrant® Brushed Nickel
	BV	Vibrant® Brushed Bronze
	BL	Matte Black
	2MB	Vibrant® Brushed Moderne Brass



Technical Information

All product dimensions are nominal.

Faucet flow rate: 1.2 gal/min (4.5 l/min)

Drain with overflow: Yes

Drain tailpiece included: No

Spout:

Spout reach: 8-5/8" (219 mm)